

## iTeach Flat Panel Cart

Model No: 37675, 37650

### OVERVIEW:

The flat panel cart offers mobility for a flat panel display that can be easily adjusted to your preferred height.

### CART FRAME:

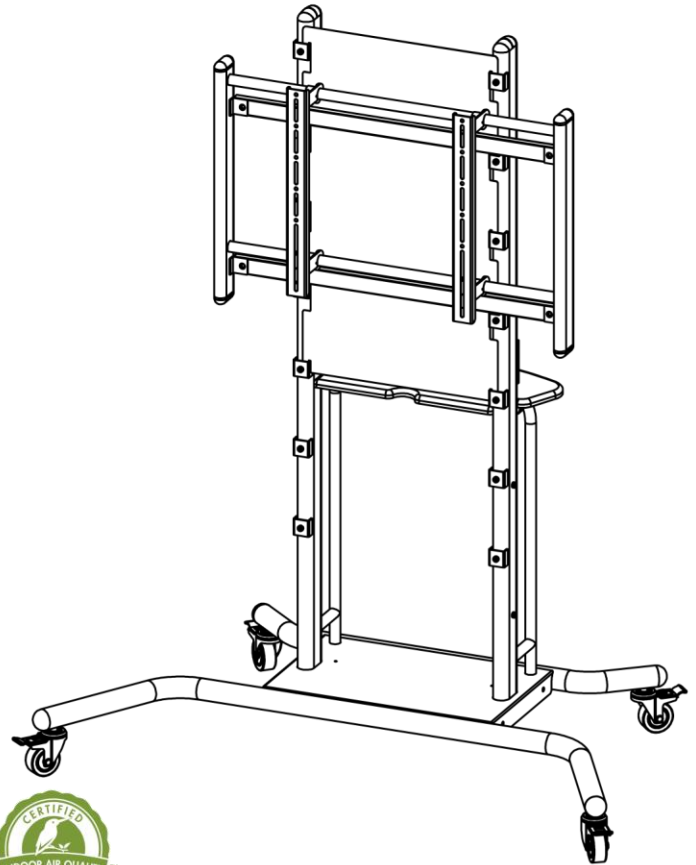
Frame consists of two 16 gauge steel tube uprights with seven 11 Ga, 1.6" square weldments across its length. Uprights are spaced 18" apart and supported by a 24 Ga steel cover plate welded to front of uprights. Back side of cart has a plastic 18mm thick shelf supported by 12 Ga steel tube legs to which it is fixed with two 20 Ga steel brackets screwed into bottom of shelf with two M4 x 16mm screws each. Uprights are topped with rounded nylon end-caps. Weldments receive a M5 x 15mm allen screw each.

### DISPLAY MOUNT:

800 x 600 VESA flat panel mounts are secured to uprights with four 12 gauge steel slide-in tab inserts for the manually height adjustable mount option (27767) or six tabs for the electric adjustable mount (27768) which fit into weldments on uprights. A M6 x 18mm allen drive screw is threaded through the corresponding weldment and into every tab to tighten mount to cart frame. The two 12 gauge 2" x 25.4" sliding brackets have 10mm wide slots and slide up to 36" apart along 16 gauge 1" steel tube tracks. Brackets attach to tracks with two 12 gauge welded hooks on bottom and a single hook on top. Hooks are connected to low friction sliding collars to allow bracket width adjustment while preventing brackets from being lifted off tracks. Hardware for display to display mounting bracket connection is not included.

### BASE:

Base consists of a 10-gauge steel top panel mounted to two 4mm thick steel brackets with four M8 x 16mm screws and with a 14 Ga steel bottom panel welded in between. Base fastens to both uprights and shelf legs with a total of six M8 x 24mm screws each. Welded to the front and back of the base are 10 Ga round steel tube legs with casters and nylon caps at each end. Single wheel stem casters are 3" in diameter. All casters swivel and are able to be locked.



### HEIGHT ADJUSTMENT:

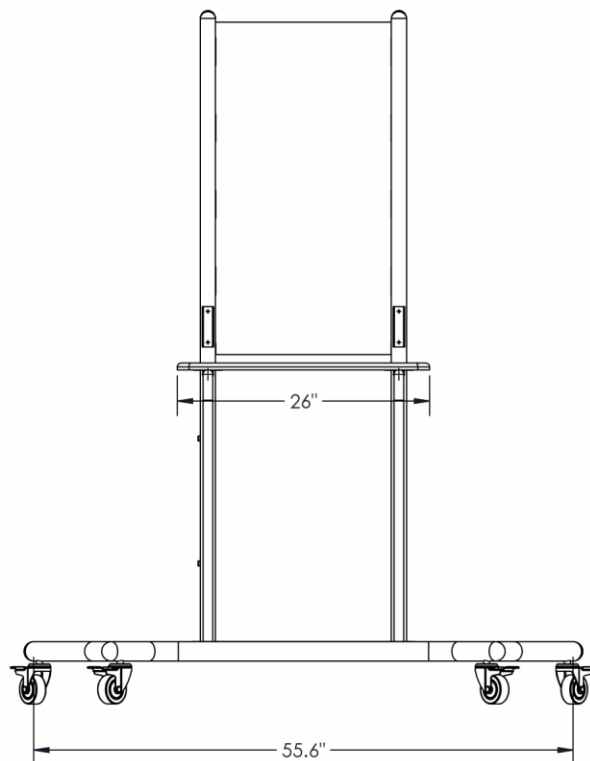
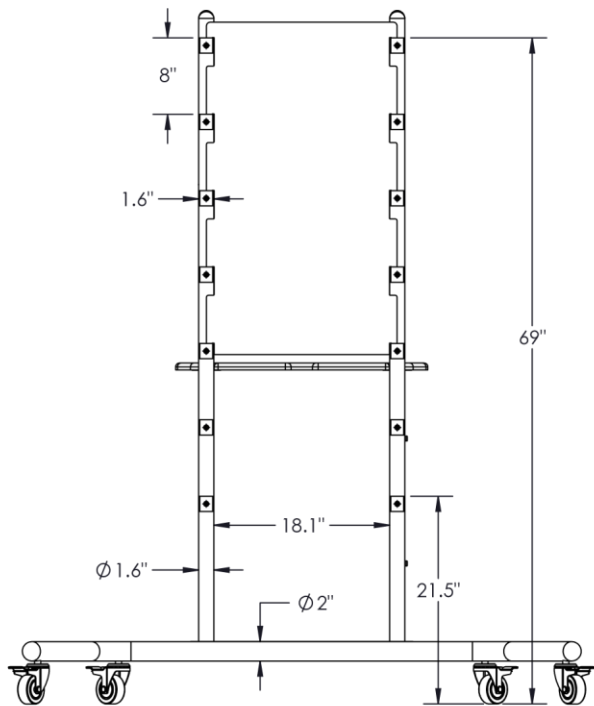
Display height may be adjusted to different heights by manually fitting display mount into higher or lower weldments along uprights. For manual only version display height may be adjusted to six different heights from 20 5/8" to 67 7/8". Electric version may be adjusted by wired remote to add up to 18" of additional height for a maximum of 55".

### FRAME COLOR:

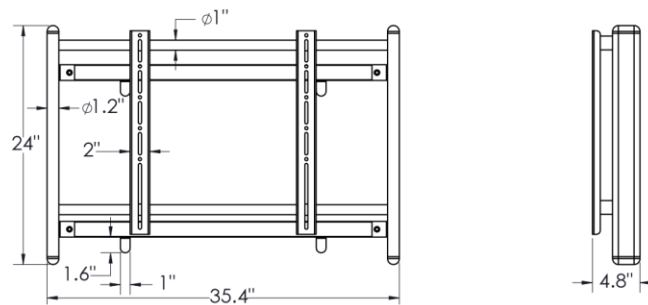


Black

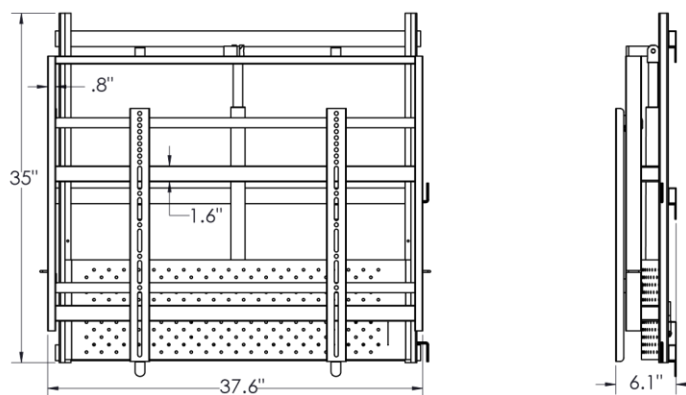
## 27650 ELEVATION FLAT PANEL CART



## 27746 FLAT PANEL TV MOUNT



## 27745 ELECTRIC TV MOUNT



## DIMENSIONS

Base Model No.	Description	Height	Width	Depth
27650	Elevation Flat Panel Cart	71.5"	57.6"	34.6"
27746	Flat Panel TV Mount	24"	35.4"	4.8"
27745	Electric TV Mount	35"	37.6"	6.1"