

# Tech Tub<sup>2</sup>® - 10 Device Setup



## Assembly Guide FTT1000\_FTT1000-USB\_2016\_C

Check out our other products online at  
[www.copernicused.com](http://www.copernicused.com)

For assistance, please contact us:

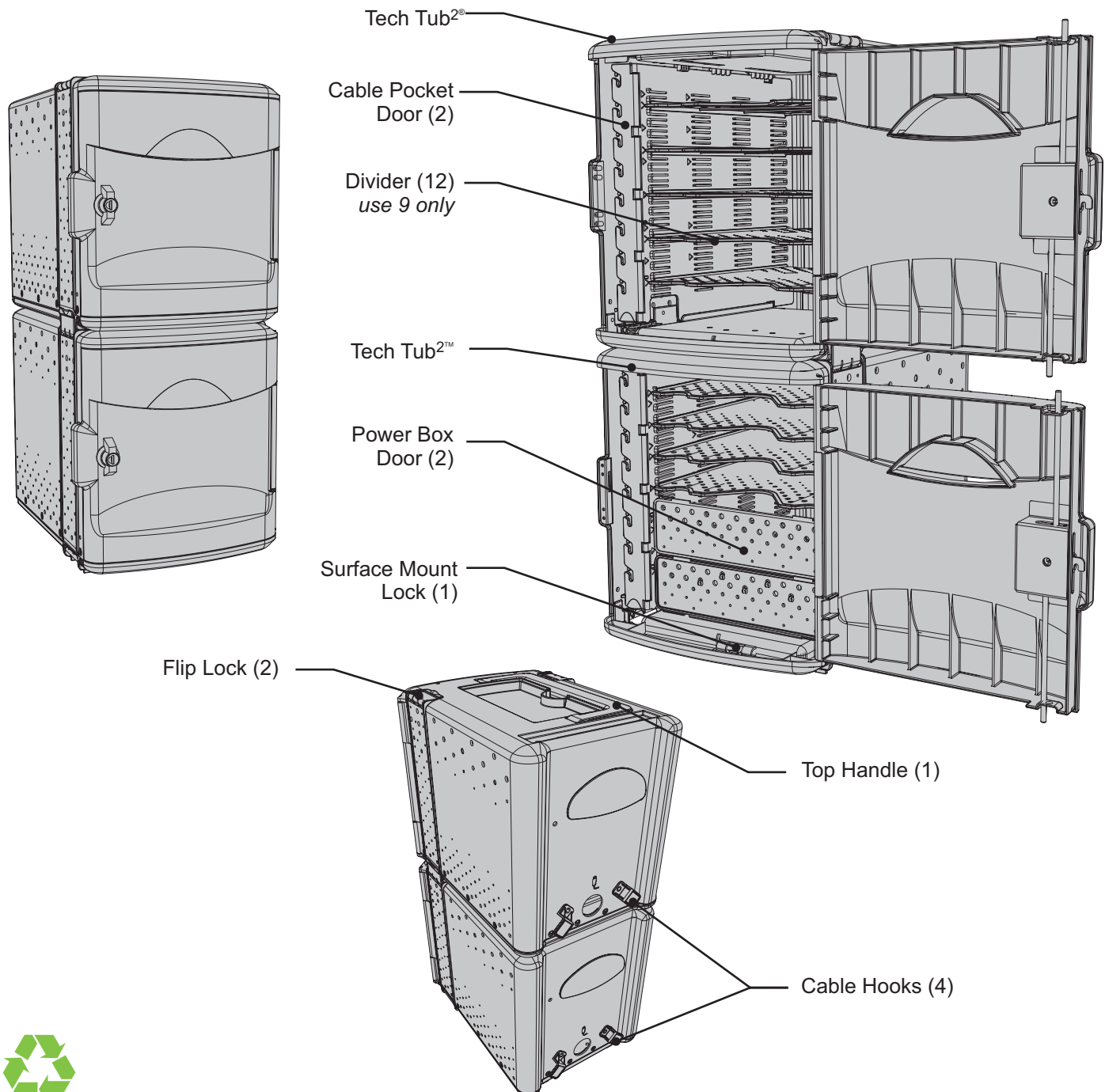
**1-800-267-8494**

Email [info@copernicused.com](mailto:info@copernicused.com)

Have your packing slip ready for reference

## WARNING !

- This product is meant to be assembled by an adult.
- In its unassembled state, small parts present a hazard.
- To be used under direct supervision of an adult.





## Assembly Guide FTT1000\_FTT1000-USB\_2016\_C

Check out our other products online at  
[www.copernicused.com](http://www.copernicused.com)

For assistance, please contact us:

**1-800-267-8494**

Email [info@copernicused.com](mailto:info@copernicused.com)

**Have your packing slip ready for reference**

Dear Educator,

Thank you for purchasing one of our products. I hope that the Tech Tub<sup>2</sup>® is useful in your classroom.

If you have any questions, concerns, or ideas please contact us by telephone at 1-800-267-8494 or email at [info@copernicused.com](mailto:info@copernicused.com).

Enjoy using your new product and happy teaching.

*Jim Phillips*  
Chief Cook and Bottle Washer



We do not inherit the earth from our ancestors, we borrow it from our children.

Change is the end result of all true learning.

LEO BUSCAGLIA

NORTH AMERICAN  
PROVERB

What you leave behind is not what is engraved in stone monuments, but what is woven into the lives of others.

PERICLES

Education is the most powerful weapon which you can use to change the world.

NELSON MANDELA



## Validate Your Warranty

To validate your warranty, submit the ON-LINE form at [www.copernicused.com](http://www.copernicused.com)  
**Enter a draw to win a Copernicus Product for your classroom at the same time!**



# Warning! Hazard Risks!

Please read the warnings below for important safety information regarding your product. Failure to read these warnings or to follow the instructions below could result in personal injury or damage to your product that could void your warranty.



Small  
Parts

In its unassembled state, this product contains parts that can be hazardous to small children. This product should be assembled by an adult.



Adult  
Supervision

This product is to be used under the supervision of an adult.



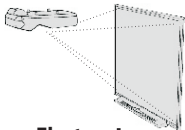
Indoor Use  
Only

This product is intended for indoor use only. To reduce the risk of fire or electric shock, do not expose this product to rain or moisture. The internal components are not sealed from the environment.



Power Strip  
Specifications

Read your power strip electrical specifications. Only plug in devices that are approved for use with this power strip. Connect the supplied power strip directly to a wall outlet. **Do not connect to another power strip or use an extension cord.** Unplug when not in use. **Do not leave this product plugged in for more than 72 consecutive hours.** Turn off power strip before unplugging.



Electronic  
Equipment

Read the electrical specifications of any electronic equipment you are using with your Copernicus products. Failure to read these specifications and follow their instructions could result in damage to your equipment or personal injury.



Cable Trip  
Hazard

Ensure that any cables extending across the floor to your product are properly bundled and marked to avoid tripping or falling which may lead to personal injury.



Electrical Shock

Do not install or use the electrical components of this unit during a lightning storm.



Climb Hazard

Do not climb on, hang from or suspend objects from any components of your product unless otherwise specified.

# Tips for Assembly

## Watch for These Helpful Symbols

This symbol denotes a 2-Person Task. For safety, please ensure that there are the suggested number of people working on steps displaying this symbol.



Watch for this symbol throughout the Assembly Guide. Wherever you see it, pay close attention. The symbol denotes a step needing extra attention to ensure it is done correctly.



The star symbol highlights an advisory note.



## Before You Begin

- Lay out and identify all of the included parts.
- The hardware has been packed according to step.
- Read the assembly guide over once to familiarize yourself with them.



**!** Please note that in its unassembled state, this product contains parts that can be hazardous to small children. This product should be assembled by an adult.

## As You Assemble the Unit

- Follow the steps in sequence.
- Before beginning each step, find the part(s) that you need for that step.
- Pay attention to the labels on the parts; they are there to help direct you at certain stages.
- The title of each step states what you will be doing. Review the text and the pictures as you build the unit.

# Customer Service - FAQ's



**Need Tech Support?  
Have a Question?**



*Email our Tech Support Service*

**Check out some of our  
other great products!**



*www.copernicused.com*

**For missing parts and other issues regarding this product:**

- I lost the key to, how can I get a new one?

*Please call Copernicus Customer Service, where we will be happy to help.  
1-800-267-8494. Monday - Friday 8:30am - 4:30 pm EST.*

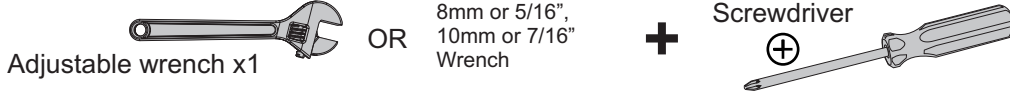
**OR**

*Email our Tech Support Service at [info@copernicused.com](mailto:info@copernicused.com)*

# Tech Tub<sup>2</sup>® - 10 Device Setup

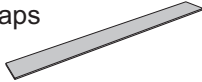
## Before beginning, you should have:

Additional tools required:

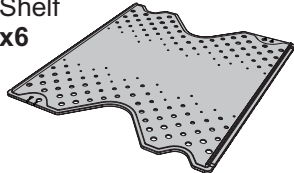


### FTT600-0

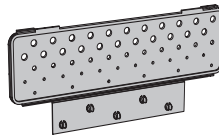
Hook & Loop Straps  
6x



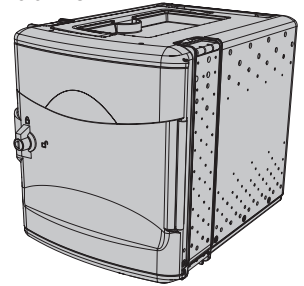
Shelf  
x6



Power Box Door  
x1

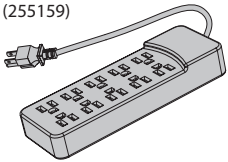


Tech Tub Main Body  
x1

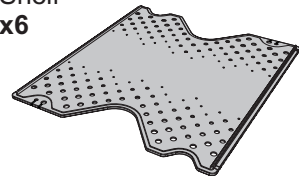


### FTT600-B

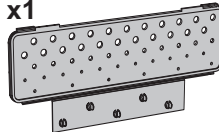
10 Outlet Power Strip  
x1  
(255159)



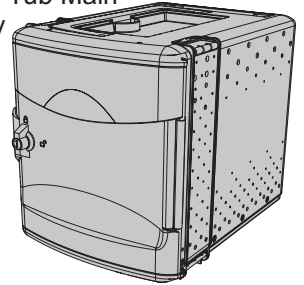
Shelf  
x6



Power Box Door  
x1



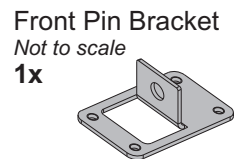
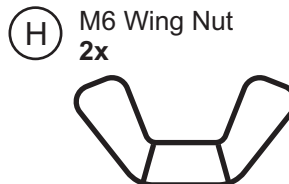
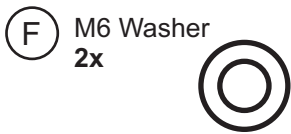
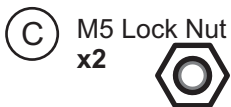
Tech Tub Main Body  
x1



Hook & Loop Straps  
6x



### Hardware Bags Actual Size

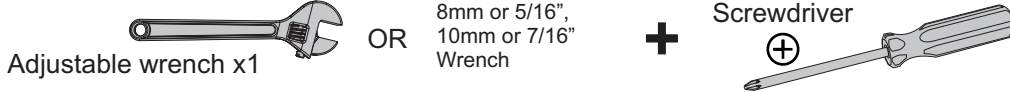


Hardware components are not used for all tech tub setup configurations. Depending on the setup configuration you choose, you may have extra hardware..

# Tech Tub<sup>2</sup>® - 10 Device Setup

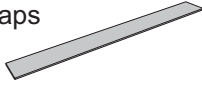
## Before beginning, you should have:

Additional tools required:

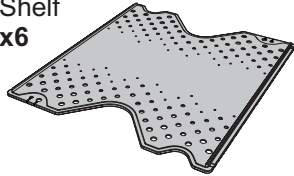


### FTT600-0

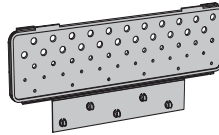
Hook & Loop Straps  
6x



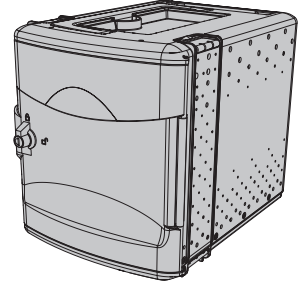
Shelf  
x6



Power Box Door  
x1

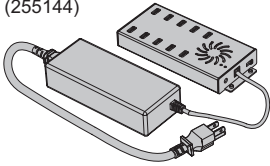


Tech Tub Main Body  
x1

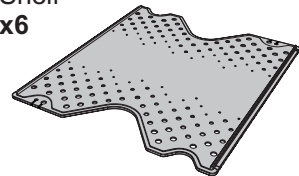


### FTT600-C

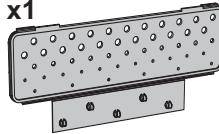
10 outlet USB Hub  
x1  
(255144)



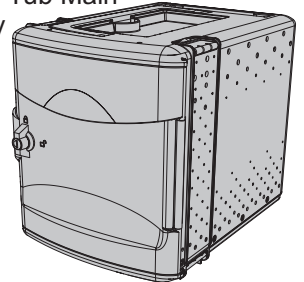
Shelf  
x6



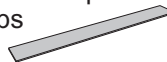
Power Box Door  
x1



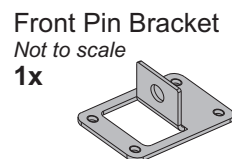
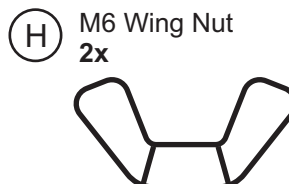
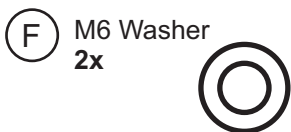
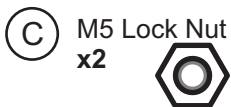
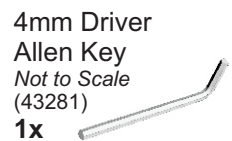
Tech Tub Main Body  
x1



Hook & Loop Straps  
6x



### Hardware Bags Actual Size

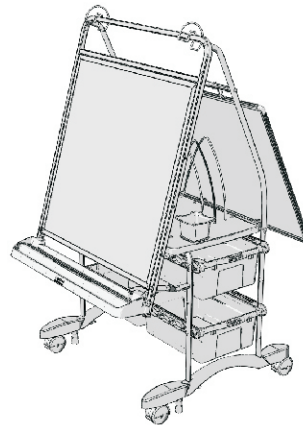
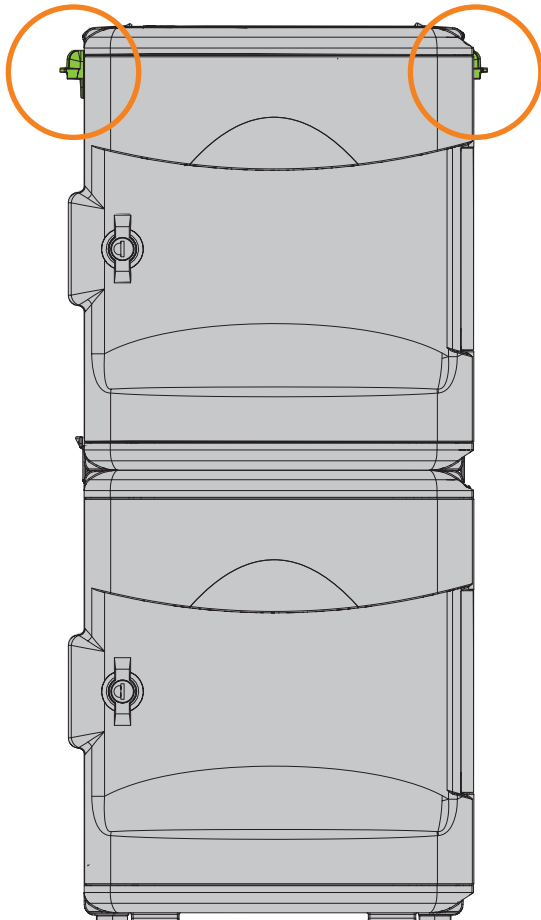


Hardware components are not used for all tech tub setup configurations. Depending on the setup configuration you choose, you may have extra hardware..

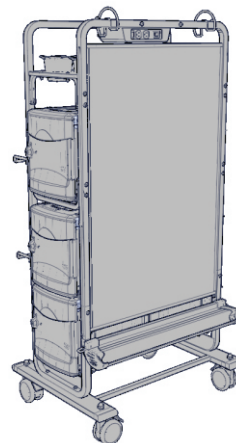
## STOP!

If you purchased the Royal<sup>®</sup> Reading Writing Center or the Dual Duty Teaching Easel you will need to install the Tub Rails on your Tech Tub<sup>2</sup>® first before proceeding with this assembly guide. Please look inside the easel box for the FTT-AC1 kit where you will find the Tub Rails and the Tub Rails assembly guide.

If you have not purchased one of these two products, please proceed to the next page to begin setting up your Tech Tub<sup>2</sup>®.



Royal<sup>®</sup> Reading Writing Center

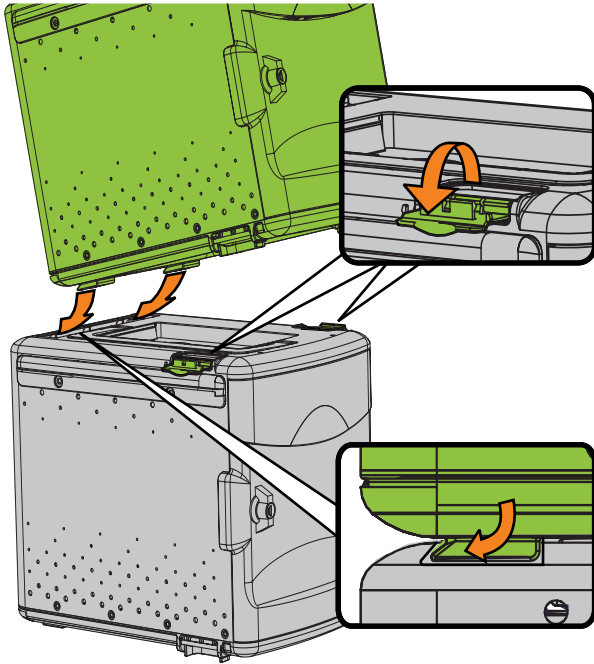


Dual Duty Teaching Easel

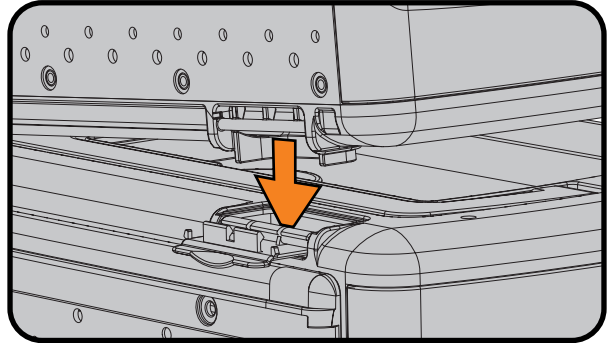


## Attach Tech Tub<sup>2</sup>® Together

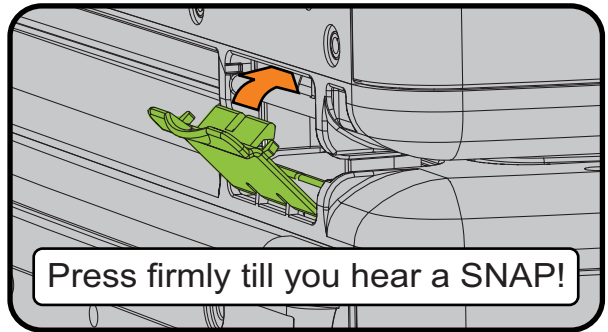
**1** Fully open Flip Locks on either side of the bottom tub.



**3** Insert the front feet of the top tub into the front openings on the top of the lower tub.



**4** Lock the top and bottom tubs together using the flip locks on either side.



Press firmly till you hear a SNAP!

**2** Insert the back feet of the top tub into the slot on the top of the lower tub.

2

Actual Size:

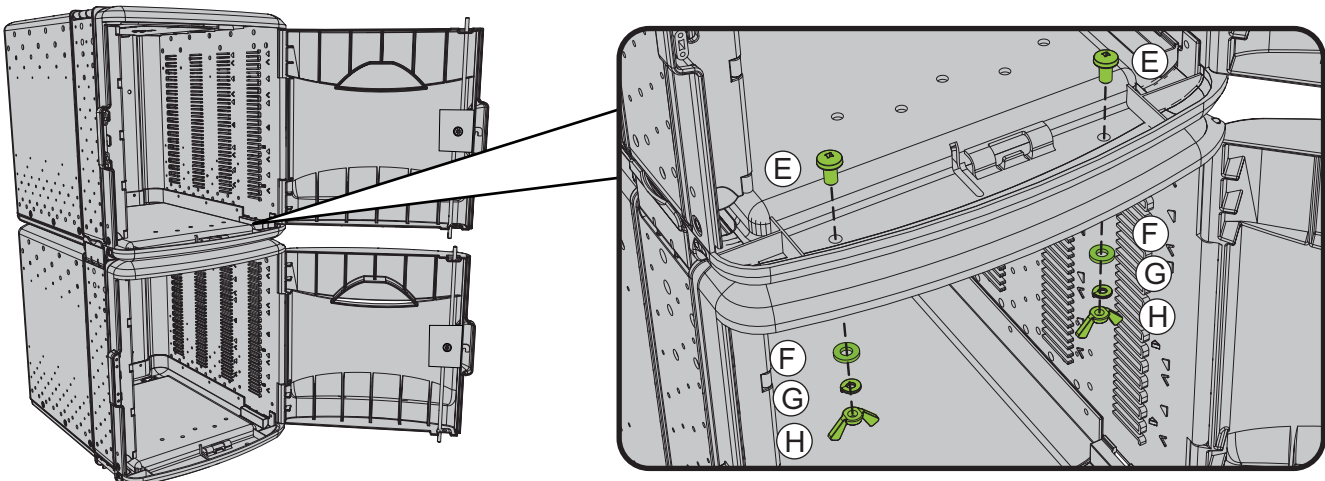


You will need: (Not to Scale)

4mm Driver  
Allen Key  
Not to Scale  
(43281)  
1x



## Bolt Tech Tub<sup>2</sup>® Together With Provided Hardware

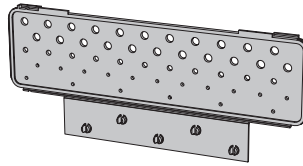




3

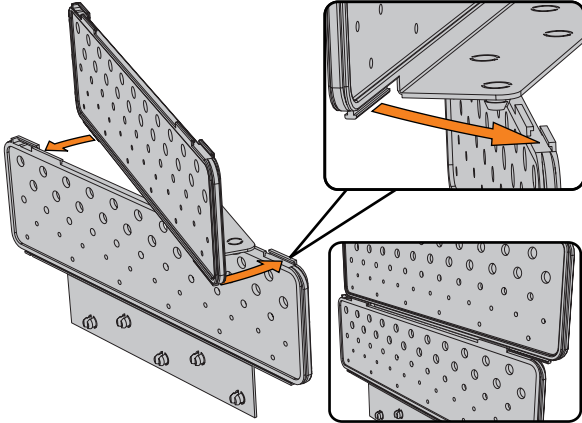
You will need: (Not to Scale)

Power Box Door  
x2

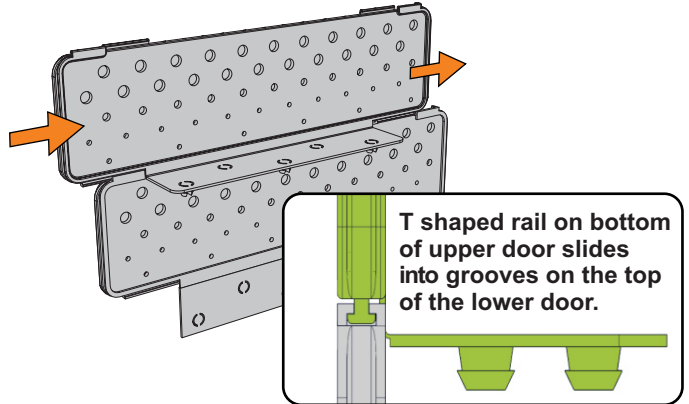


### Attach Power Box Doors Together

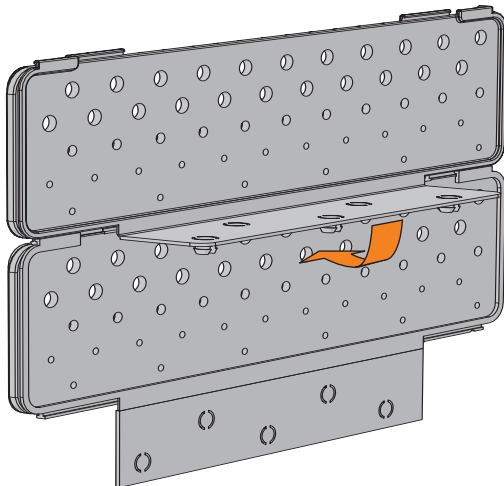
1 Hook doors together (rotate as shown)



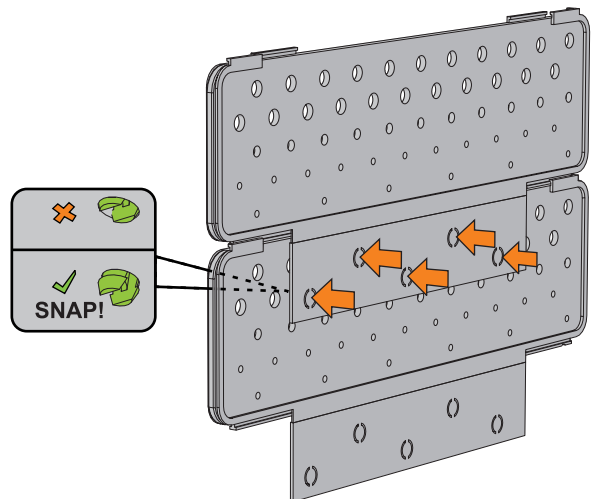
2 Slide doors together



3 Rotate flap down against lower door

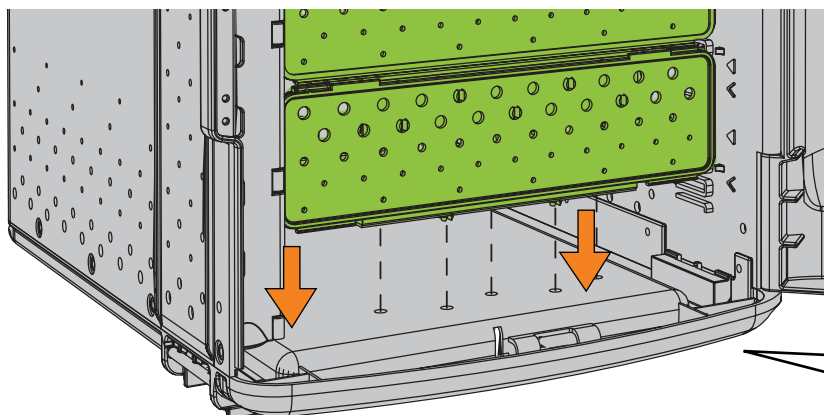


4 Press all snaps firmly into place

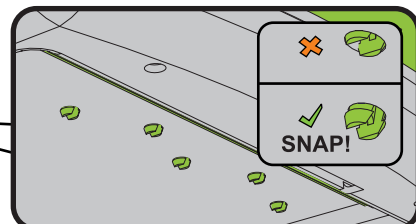


### Attach Power Box Door to Base of Bottom Tech Tub<sup>2</sup>

Snap door into corresponding holes found on inside bottom face of tub.

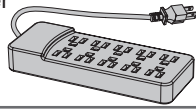


! Push bottom of door into holes until you hear a SNAP!  
Look at the underside of the tub to ensure all the Power Door snaps are fully engaged.

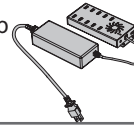


4

10 Outlet Power Strip  
Strip  
x1  
(255159)  
Illustration Only

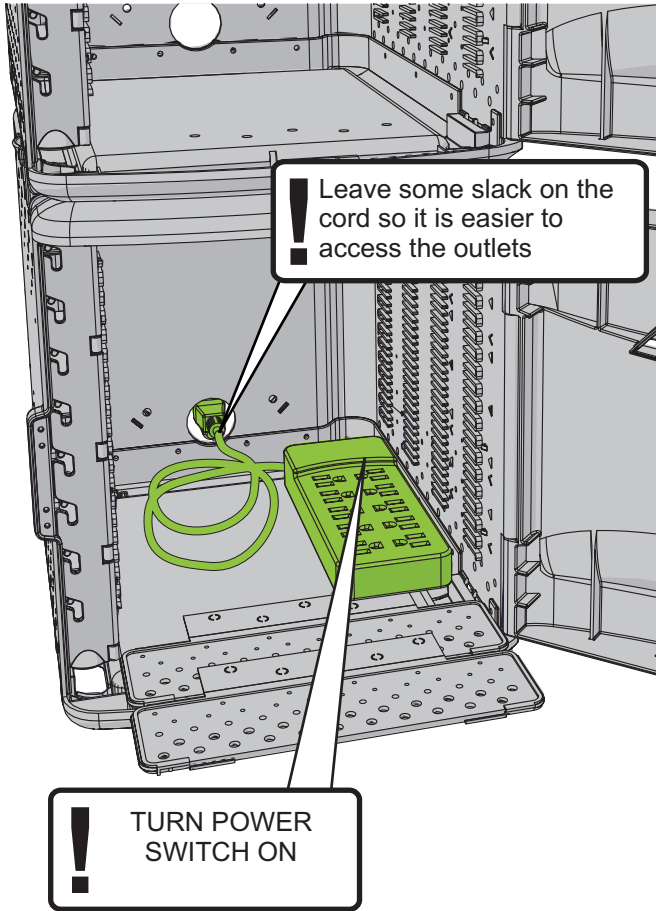


10 outlet USB Hub  
x1  
(255144)  
Illustration Only

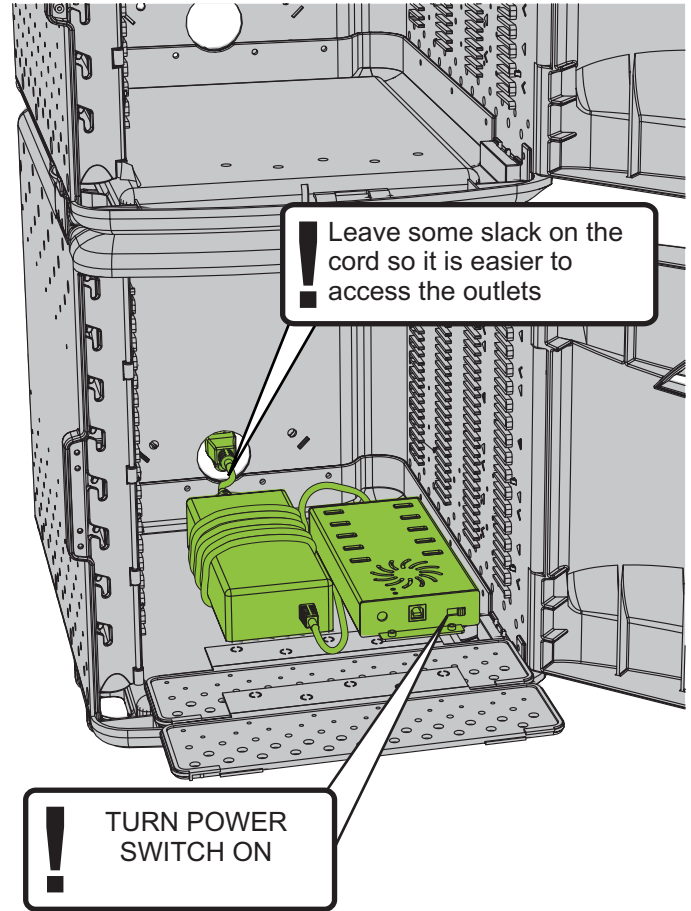


### Add Power Strip or 10 Outlet USB Hub Feed excess cable through hole on back of tub

#### Power Strip



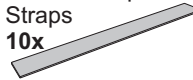
#### 10 Outlet USB Hub



5

You will need: (Not to Scale)

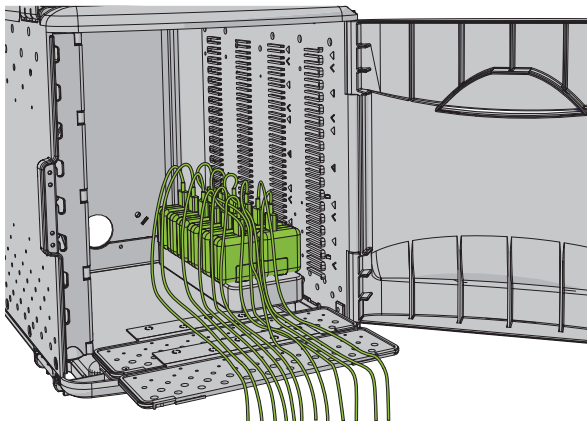
Hook & Loop Straps  
10x



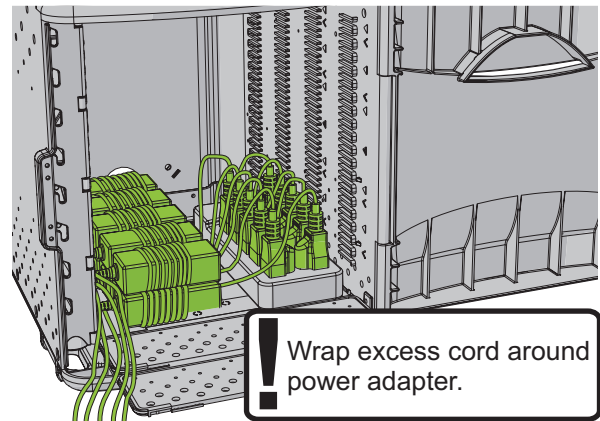
### Plug Device Power Cords into Power Strip, if using a USB Hub go to Step 6

Start from the back of the power strip and work forwards

#### iPads/Tablets

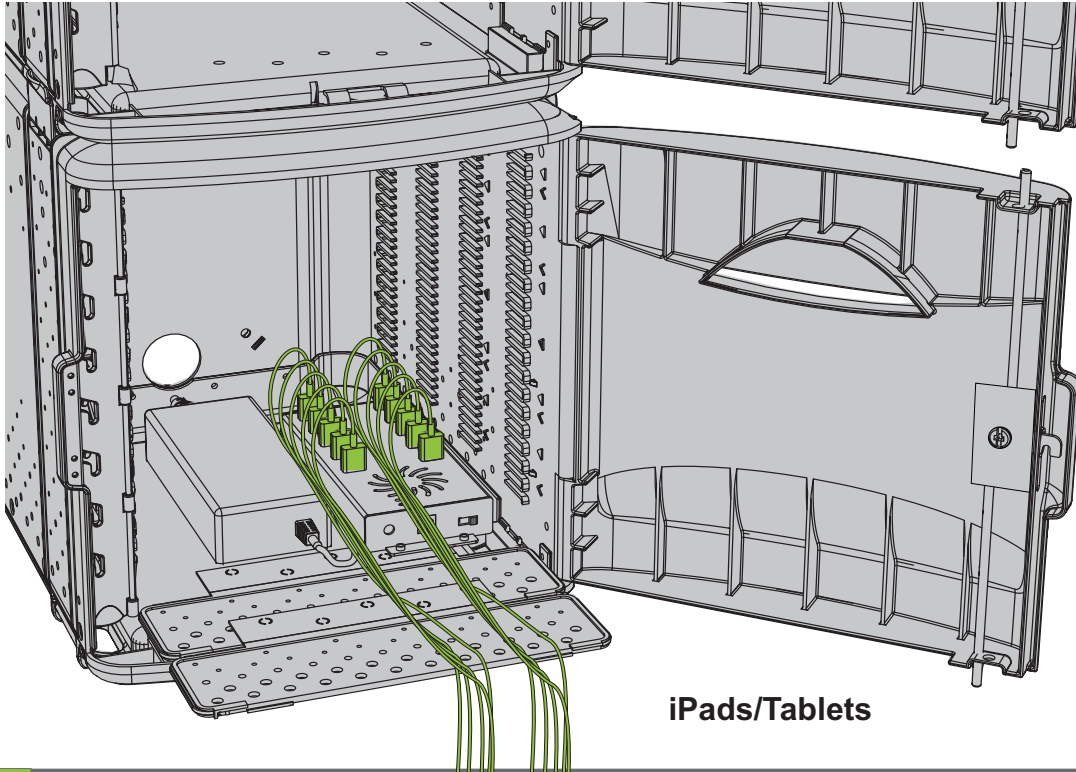


#### Chromebooks



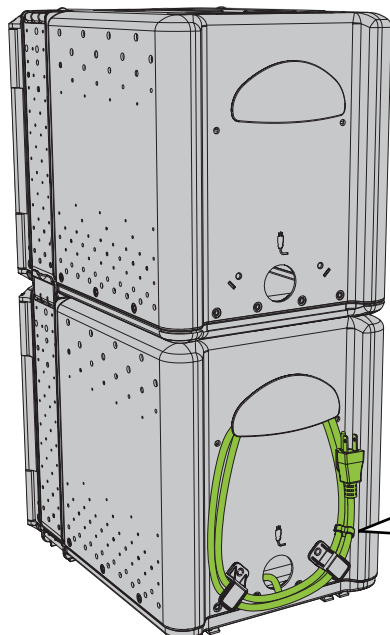
## Plug Device USB Cords into 10 Outlet USB Hub

Start from the back of the 10 Outlet USB Hub and work forwards

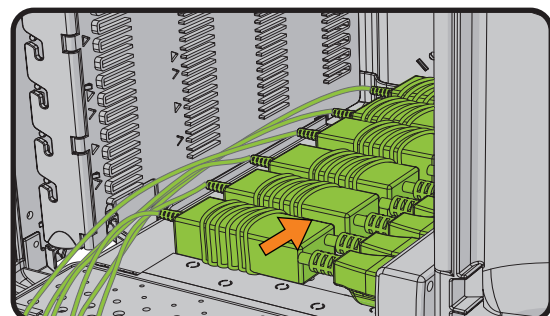
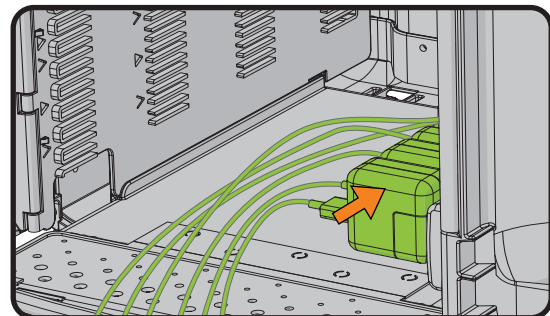
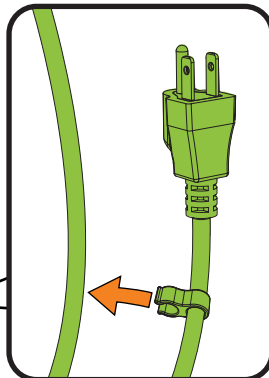


## Wrap Up Power Strip or 10 Outlet USB Hub Power Cable

Make sure all device cables are pushed far back into tub before wrapping Power Strip or 10 Outlet USB Hub cable



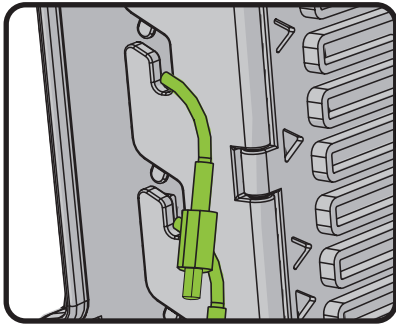
Use the Cable Clip to keep the Power Strip cord secure.



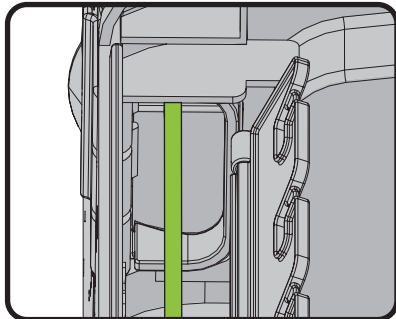
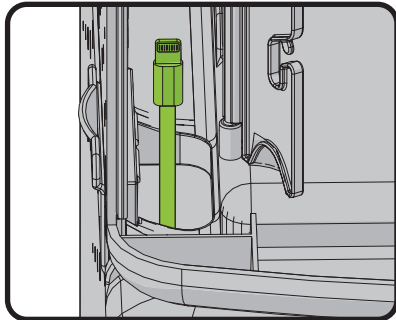
### Feed Power Cables Through Cable Management System

This cable management set up is the same for iPads/Tablets and Chromebooks that are plugged into a Power Strip or 10 Port USB Hub

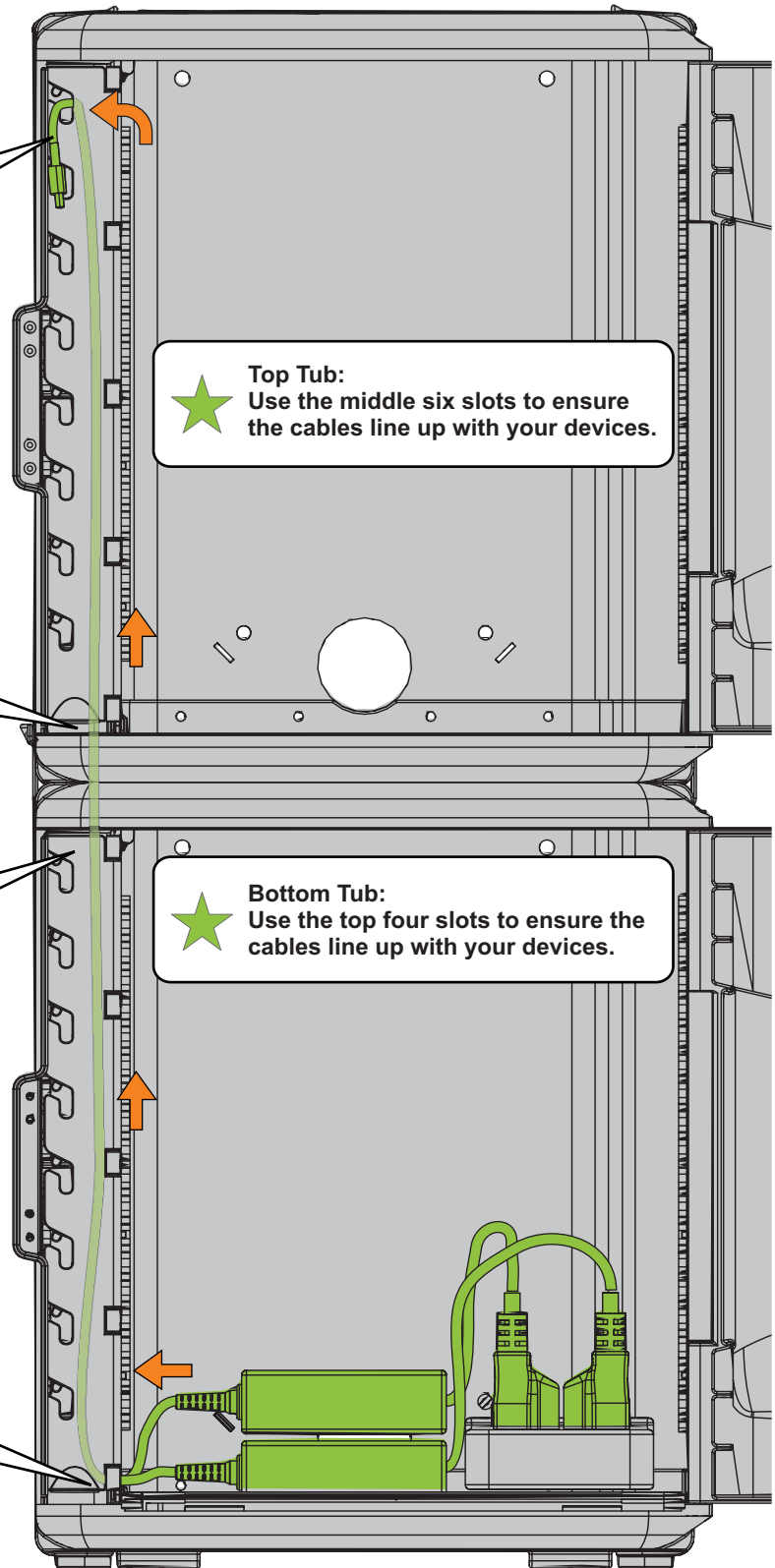
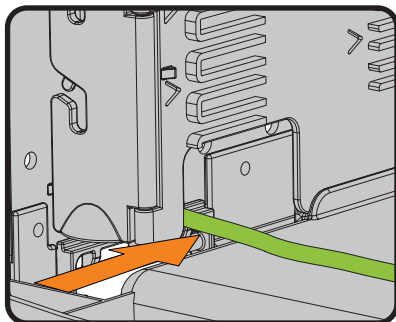
- 3** Hook cables into Cable Pocket Door slots leaving 6" (15cm) of cable outside to plug into device.



- 2** Feed 6 of the 10 cables through the opening between tubs.



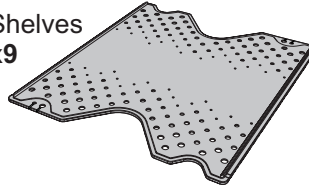
- 1** Slide cable through opening





You will need: (Not to Scale)

Shelves  
x9



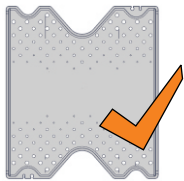
## Insert Shelves into Tech Tub<sup>2</sup> Body

Follow pattern on the RIGHT for proper divider placement

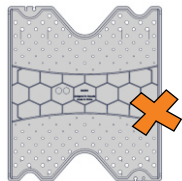


**TUB A:**  
For cases thicker than 30mm (1.18") only use bottom shelf and stack your devices.

**TUB B:**  
For cases thicker than 44mm (1.73") only use bottom shelf and stack your devices.

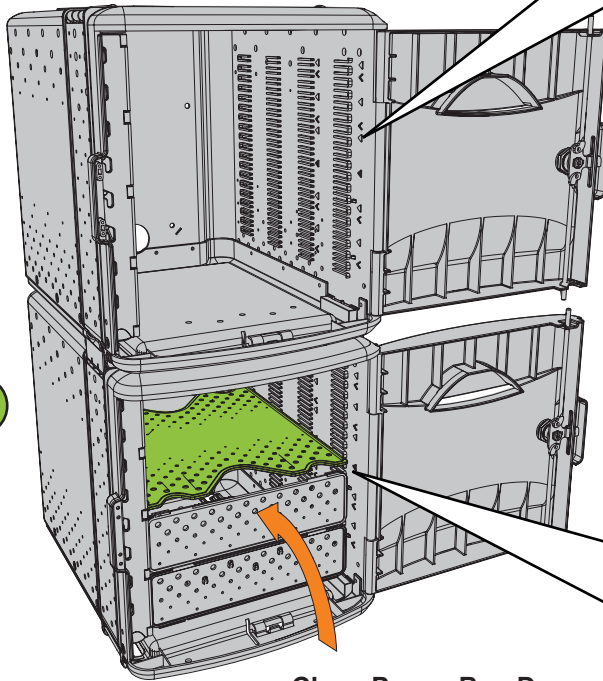


Top of Shelf



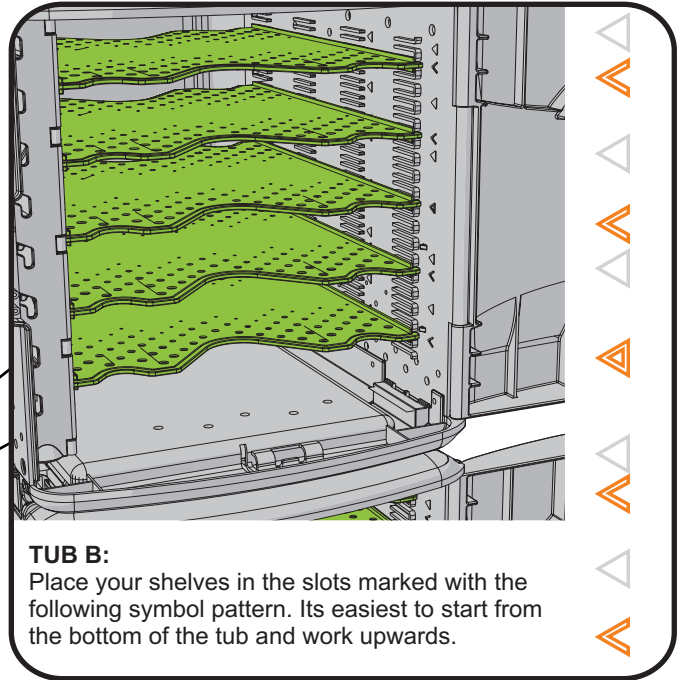
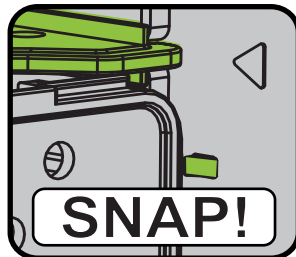
Bottom of Shelf

**B**

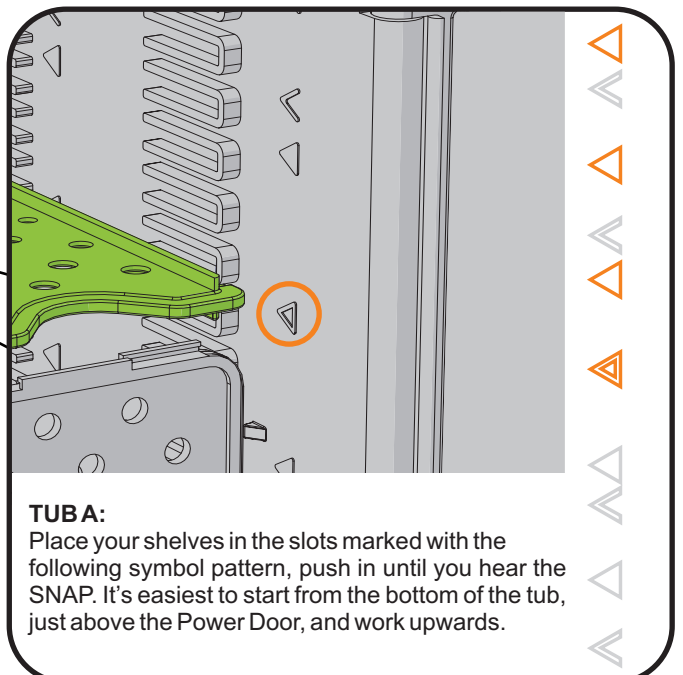


**A**

Close Power Box Door



**TUB B:**  
Place your shelves in the slots marked with the following symbol pattern. It's easiest to start from the bottom of the tub and work upwards.



**TUB A:**  
Place your shelves in the slots marked with the following symbol pattern, push in until you hear the SNAP. It's easiest to start from the bottom of the tub, just above the Power Door, and work upwards.

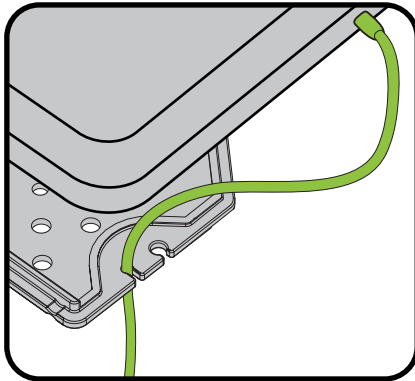


Depending on your device and/or cases used, divider spacer can be customized for your needs.

## Place Devices Onto the Shelf

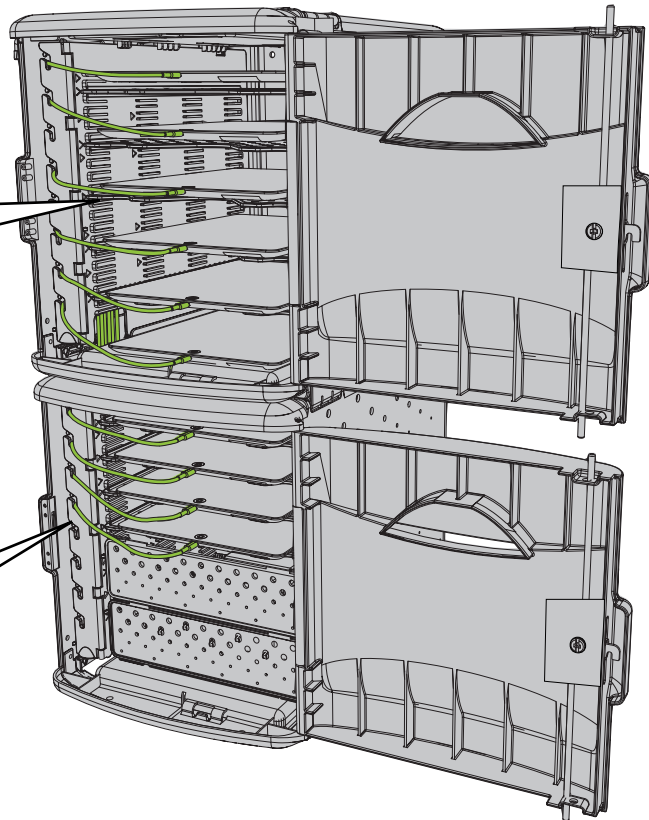
Plug in devices with corresponding cord once in place

### iPads/Tablets

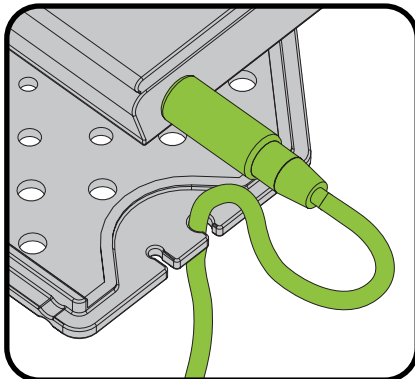


You can use the Cable Clip on the front of the Shelf to keep your cables in place.

**!** Push extra cord behind Cable Pocket Door once device is installed.

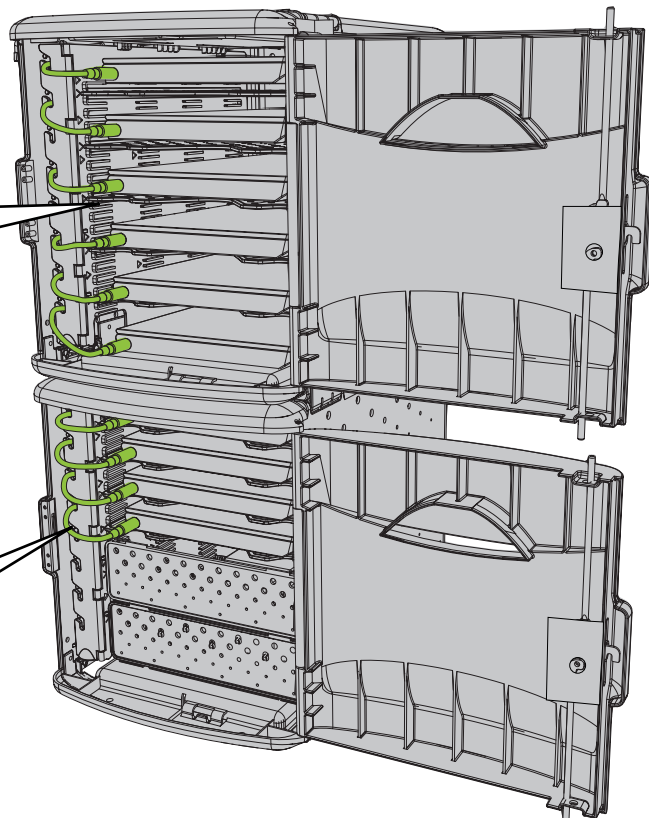


### Chromebooks



You can use the Cable Clip on the front of the Shelf to keep your cables in place.

**!** Push extra cord behind Cable Pocket Door once device is installed.





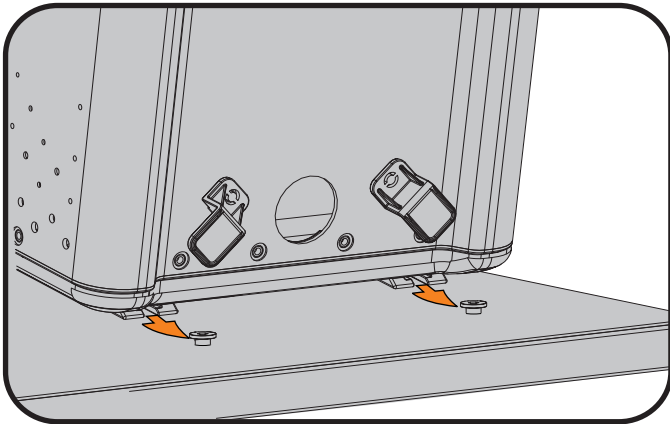


# Surface Mounting Tech Tub<sup>2</sup><sup>®</sup>

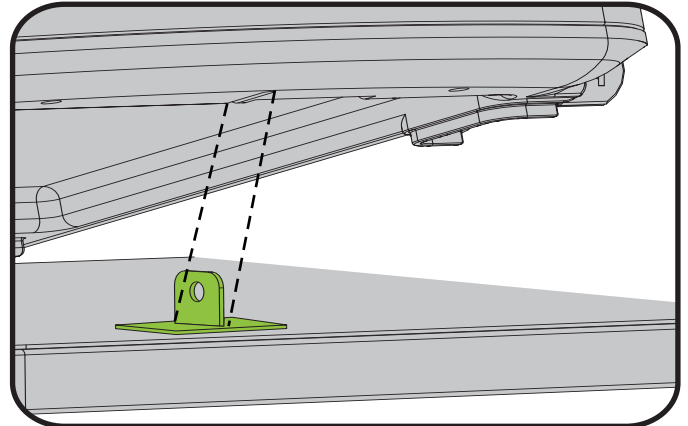
## Lock Tub to Surface Using Locking Pin.

**!** First, complete the installation of surface mounting hardware using the attached template; then complete the steps below to secure your Tech Tub<sup>2</sup><sup>®</sup> onto the surface.

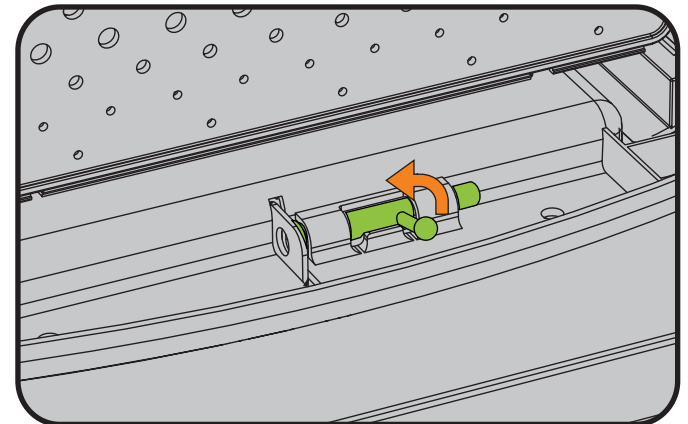
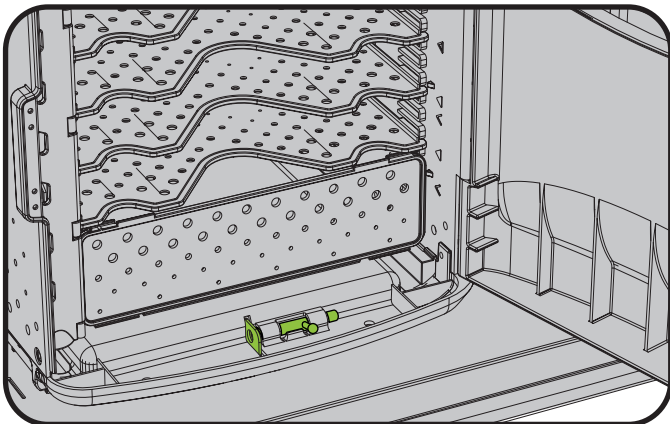
- 1** Hook the rear feet onto the pins, slide tub all the way back.



- 2** The slot on the front underside of the Tech Tub<sup>2</sup><sup>®</sup> fits over the metal tab.



- 3** Open the Tech Tub<sup>2</sup><sup>®</sup> front door and slide the locking pin through the metal tab.



- 4** After sliding pin through bracket, lock front door of Tech Tub<sup>2</sup><sup>®</sup> to secure devices.

