

Tech Tub²® - 6 Device Setup



Assembly Guide FTT600_FTT600-USB_2016_C

Check out our other products online at
www.copernicused.com

For assistance, please contact us:

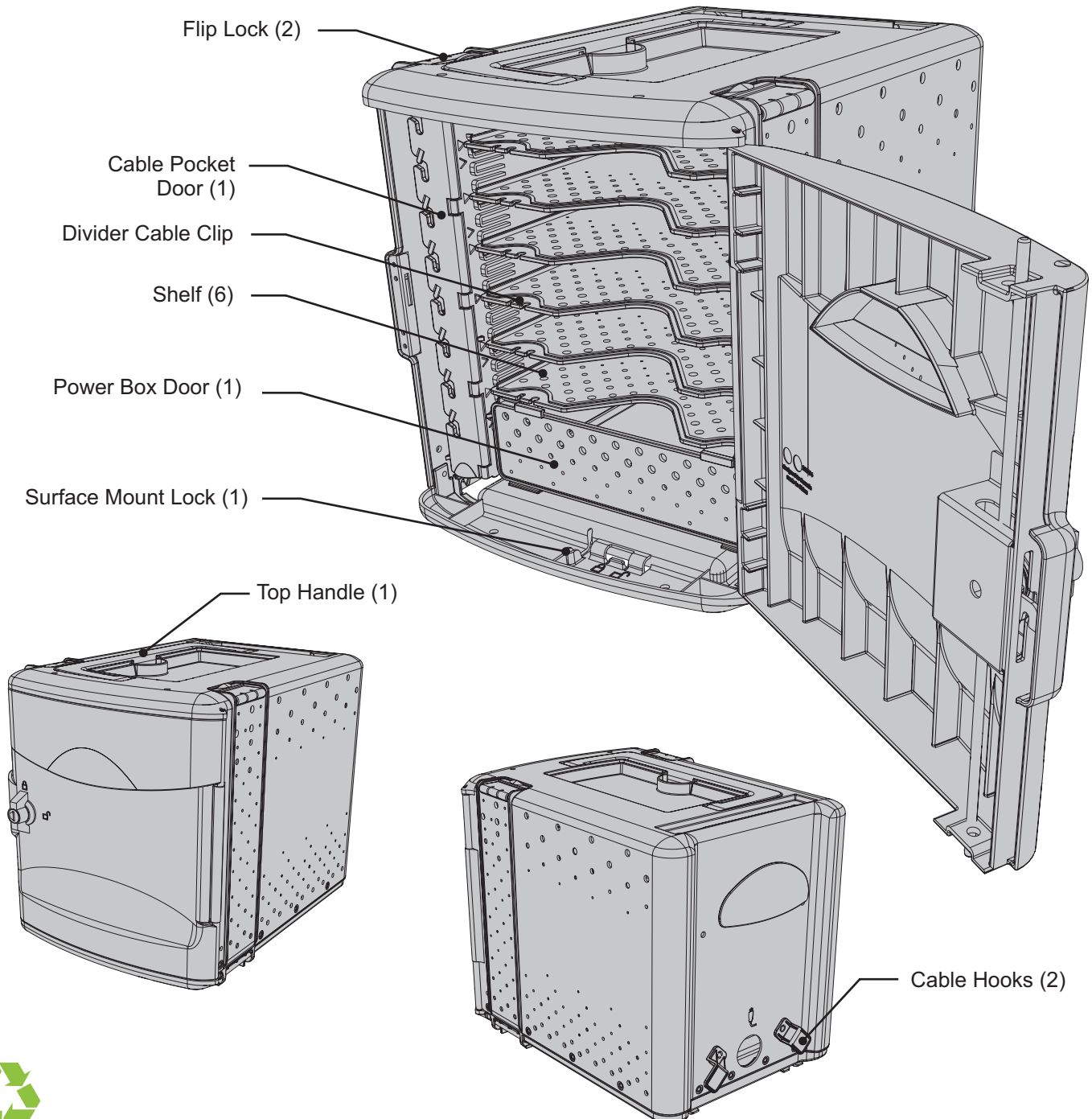
1-800-267-8494

Email info@copernicused.com

Have your packing slip ready for reference

WARNING !

- This product is meant to be assembled by an adult.
- In its unassembled state, small parts present a hazard.
- To be used under direct supervision of an adult.



Tech Tub²® - 6 Device Setup



Assembly Guide FTT600_FTT600-USB_2016_C

Check out our other products online at
www.copernicused.com

For assistance, please contact us:

1-800-267-8494

Email info@copernicused.com

Have your packing slip ready for reference

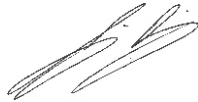
Dear Educator,

Thank you for purchasing one of our products. I hope that the Tech Tub²® is useful in your classroom.

If you have any questions, concerns, or ideas please contact us by telephone at 1-800-267-8494 or email at info@copernicused.com.

Enjoy using your new product and happy teaching.

Jim Phillips
Chief Cook and Bottle Washer



We do not inherit the earth from our ancestors, we borrow it from our children.

NORTH AMERICAN
PROVERB

Change is the end result of all true learning.

LEO BUSCAGLIA

What you leave behind is not what is engraved in stone monuments, but what is woven into the lives of others.

PERICLES

Education is the most powerful weapon which you can use to change the world.

NELSON MANDELA



Validate Your Warranty

To validate your warranty, submit the ON-LINE form at www.copernicused.com
Enter a draw to win a Copernicus Product for your classroom at the same time!



Warning! Hazard Risks!

Please read the warnings below for important safety information regarding your product. Failure to read these warnings or to follow the instructions below could result in personal injury or damage to your product that could void your warranty.



Small Parts

In its unassembled state, this product contains parts that can be hazardous to small children. This product should be assembled by an adult.



Adult Supervision

This product is to be used under the supervision of an adult.



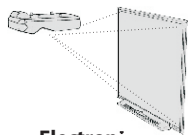
Indoor Use Only

This product is intended for indoor use only. To reduce the risk of fire or electric shock, do not expose this product to rain or moisture. The internal components are not sealed from the environment.



Power Strip Specifications

Read your power strip electrical specifications. Only plug in devices that are approved for use with this power strip. Connect the supplied power strip directly to a wall outlet. **Do not connect to another power strip or use an extension cord.** Unplug when not in use. **Do not leave this product plugged in for more than 72 consecutive hours.** Turn off power strip before unplugging.



Electronic Equipment

Read the electrical specifications of any electronic equipment you are using with your Copernicus products. Failure to read these specifications and follow their instructions could result in damage to your equipment or personal injury.



Cable Trip Hazard

Ensure that any cables extending across the floor to your product are properly bundled and marked to avoid tripping or falling which may lead to personal injury.



Electrical Shock

Do not install or use the electrical components of this unit during a lightning storm.



Climb Hazard

Do not climb on, hang from or suspend objects from any components of your product unless otherwise specified.

Tips for Assembly

Watch for These Helpful Symbols

This symbol denotes a 2-Person Task. For safety, please ensure that there are the suggested number of people working on steps displaying this symbol.



Watch for this symbol throughout the Assembly Guide. Wherever you see it, pay close attention. The symbol denotes a step needing extra attention to ensure it is done correctly.



The star symbol highlights an advisory note.



Before You Begin

- Lay out and identify all of the included parts.
- The hardware has been packed according to step.
- Read the assembly guide over once to familiarize yourself with them.



! Please note that in its unassembled state, this product contains parts that can be hazardous to small children. This product should be assembled by an adult.

As You Assemble the Unit

- Follow the steps in sequence.
- Before beginning each step, find the part(s) that you need for that step.
- Pay attention to the labels on the parts; they are there to help direct you at certain stages.
- The title of each step states what you will be doing. Review the text and the pictures as you build the unit.

Customer Service - FAQ's



For missing parts and other issues regarding this product:
- I lost the key to, how can I get a new one?

*Please call Copernicus Customer Service, where we will be happy to help.
1-800-267-8494. Monday - Friday 8:30am - 4:30 pm EST.*

*OR
Email our Tech Support Service at info@copernicused.com*

**Need Tech Support?
Have a Question?**



Email our Tech Support Service

**Check out some of our
other great products!**

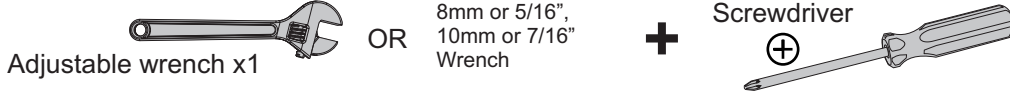


www.copernicused.com

Tech Tub²® - 6 Device Setup

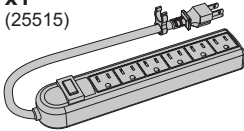
Before beginning, you should have:

Additional tools required:

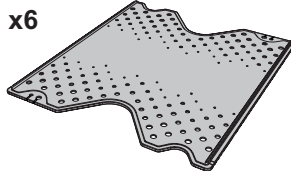


FTT600-A

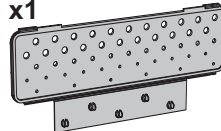
6-Outlet Power Strip
x1
(25515)



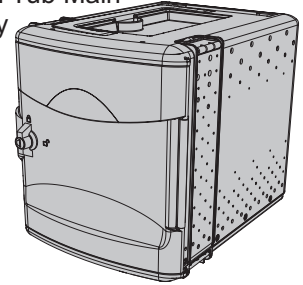
Shelf
x6



Power Box Door
x1



Tech Tub Main
Body
x1



Hook & Loop
Straps
6x

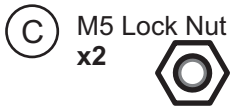


Hardware Bags

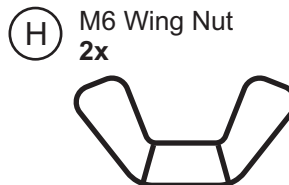
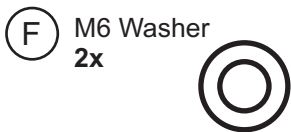
Actual Size



4mm Driver
Allen Key
Not to Scale
(43281)
1x



5mm Driver
Allen Key
Not to Scale
1x



Keys
Not to scale
2x

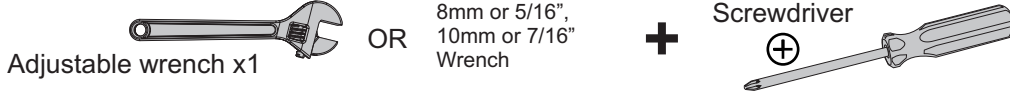
Front Pin Bracket
Not to scale
1x

! Hardware components are not used for all tech tub setup configurations. Depending on the setup configuration you choose, you may have extra hardware.

Tech Tub²® - 6 Device Setup

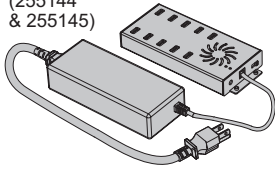
Before beginning, you should have:

Additional tools required:

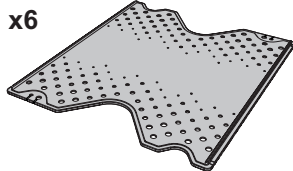


FTT600-C

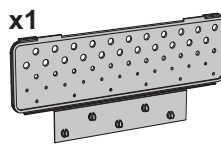
10-Port USB Hub
x1
(255144 & 255145)



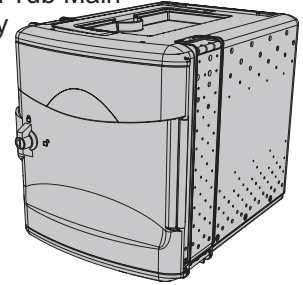
Shelf
x6



Power Box Door
x1



Tech Tub Main
Body
x1

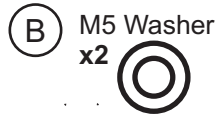


Hook & Loop
Straps
6x

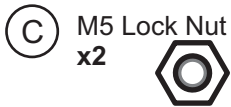


Hardware Bags

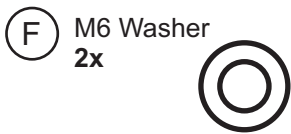
Actual Size



4mm Driver
Allen Key
Not to Scale
(43281)
1x



5mm Driver
Allen Key
Not to Scale
1x



Keys
Not to scale
2x

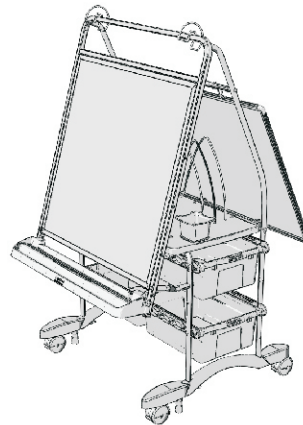
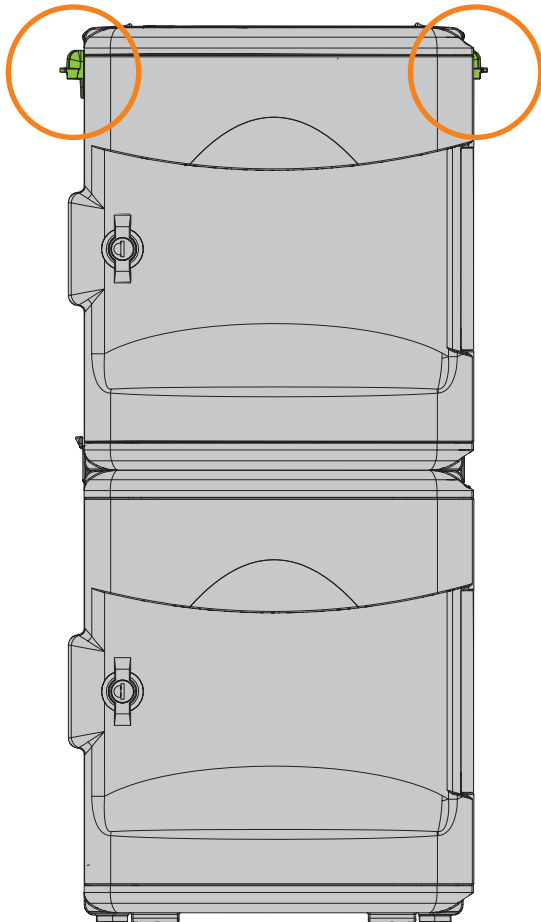
Front Pin Bracket
Not to scale
1x

! Hardware components are not used for all tech tub setup configurations. Depending on the setup configuration you choose, you may have extra hardware.

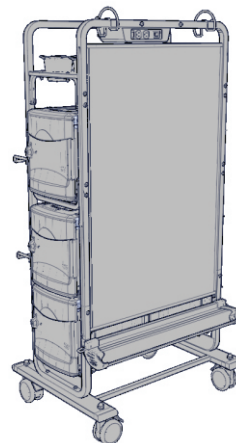
STOP!

If you purchased the Royal[®] Reading Writing Center or the Dual Duty Teaching Easel you will need to install the Tub Rails on your Tech Tub²® first before proceeding with this assembly guide. Please look inside the easel box for the FTT-AC1 kit where you will find the Tub Rails and the Tub Rails assembly guide.

If you have not purchased one of these two products, please proceed to the next page to begin setting up your Tech Tub²®.



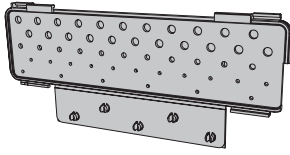
Royal[®] Reading Writing Center



Dual Duty Teaching Easel

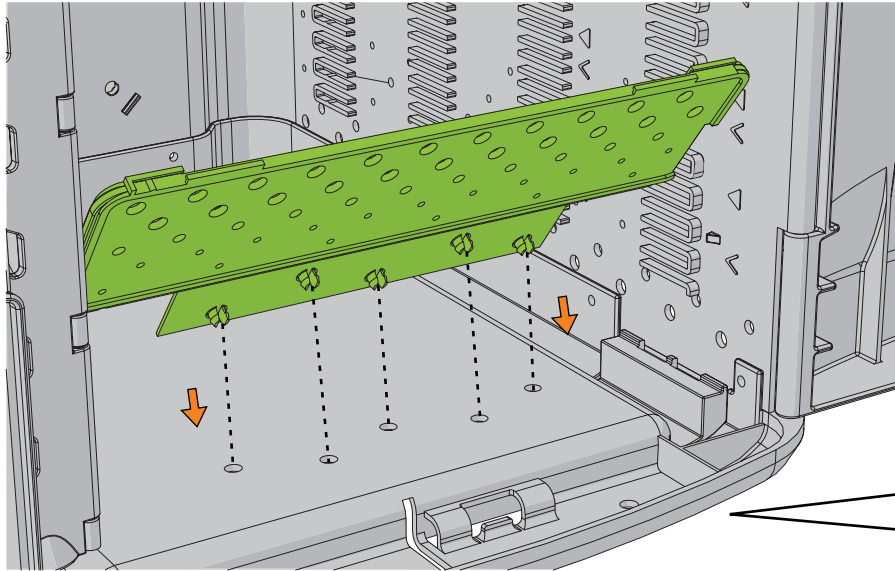
1

You will need: (Not to Scale) Power Box Door
x1

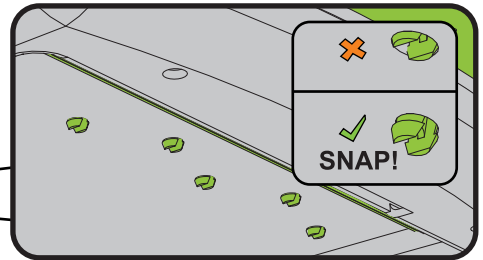


Attach Power Box Door to Bottom of Tech Tub²

Snap door into corresponding holes found on inside bottom face of tub.

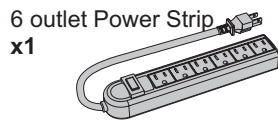


! Push bottom of door into holes until you hear a SNAP!
■ Look at the underside of the tub to ensure all the Power Door snaps are fully engaged.

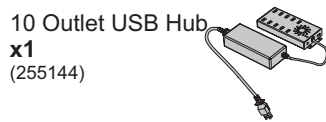


2

You will need: (Not to Scale)



OR

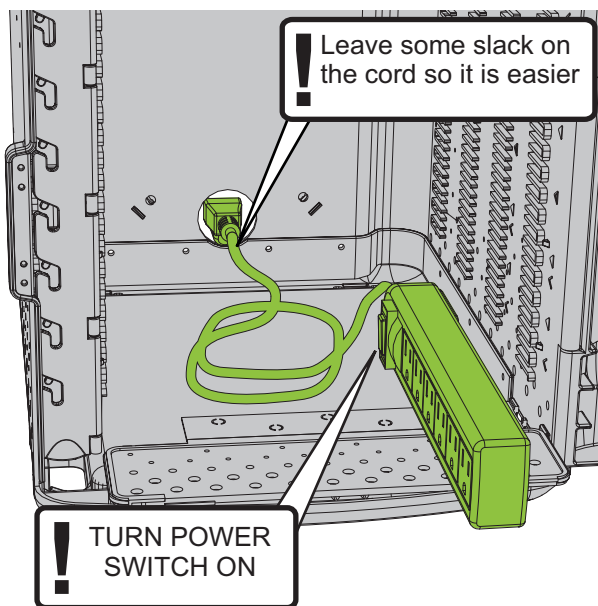


Install Power Strip or 10 Outlet USB Hub

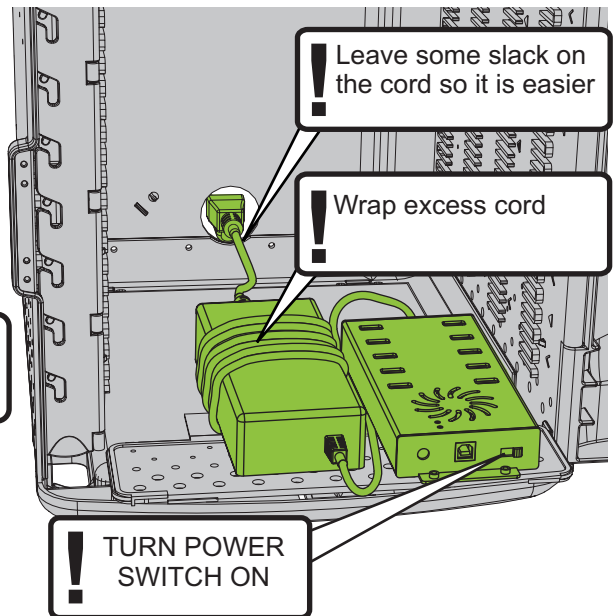
Feed excess cable through hole on back of tub and wind up the remaining cable

Power Strip

10 Outlet USB Hub



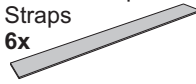
OR



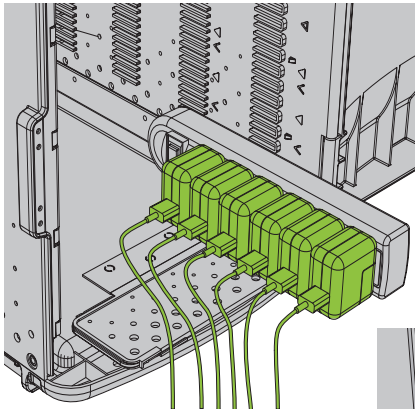
3

You will need: (Not to Scale)

Hook & Loop Straps
6x

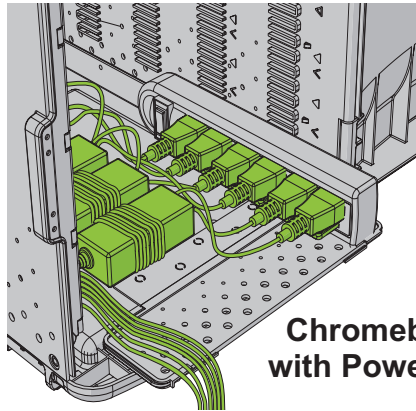


Plug in Device Power Cords into Power Strip or 10 Outlet USB Hub Start from the back of the power strip or 10 Outlet USB Hub and work forwards

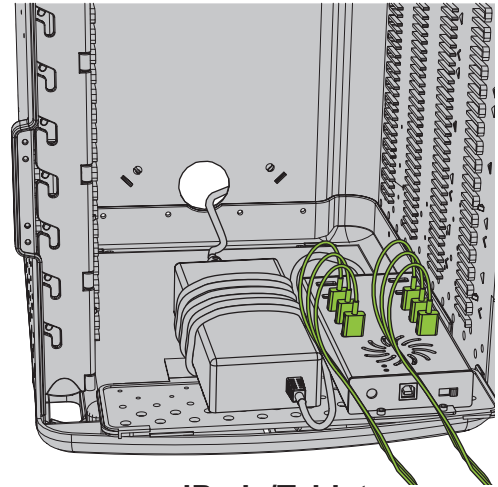


iPads/Tablets
with Power Strip

Use Hook & Loop fasteners provided to keep adapters tidy!



Chromebooks
with Power Strip

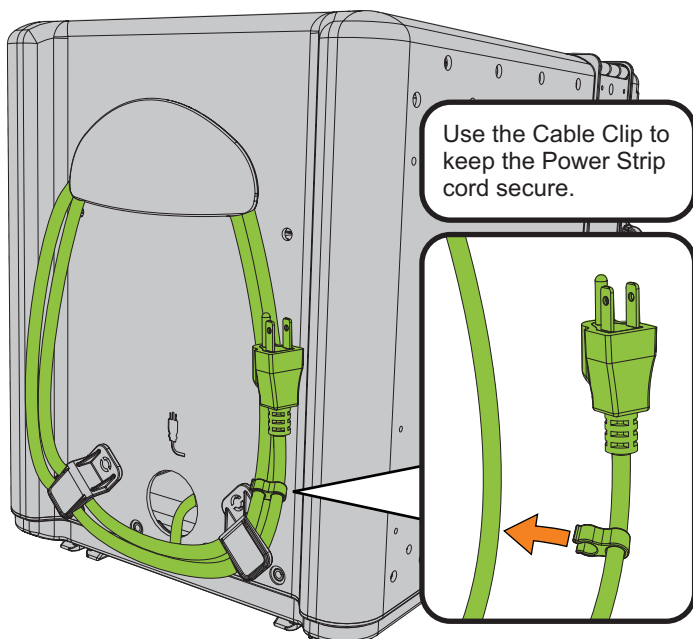


iPads/Tablets
with
10 Outlet USB Hub

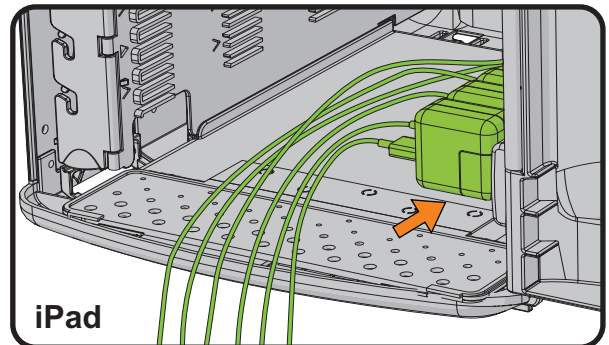
4

Wrap Up Power Strip Cable or USB Power Cable

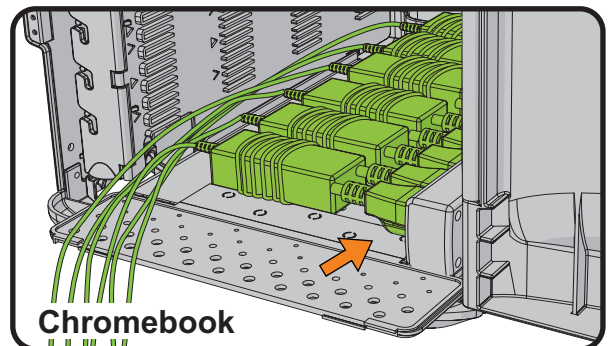
Make sure all device cables are pushed far back into tub before wrapping Power Strip cable



Use the Cable Clip to keep the Power Strip cord secure.



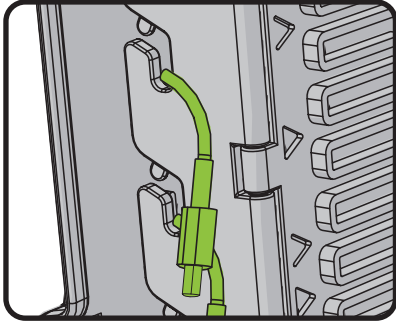
iPad



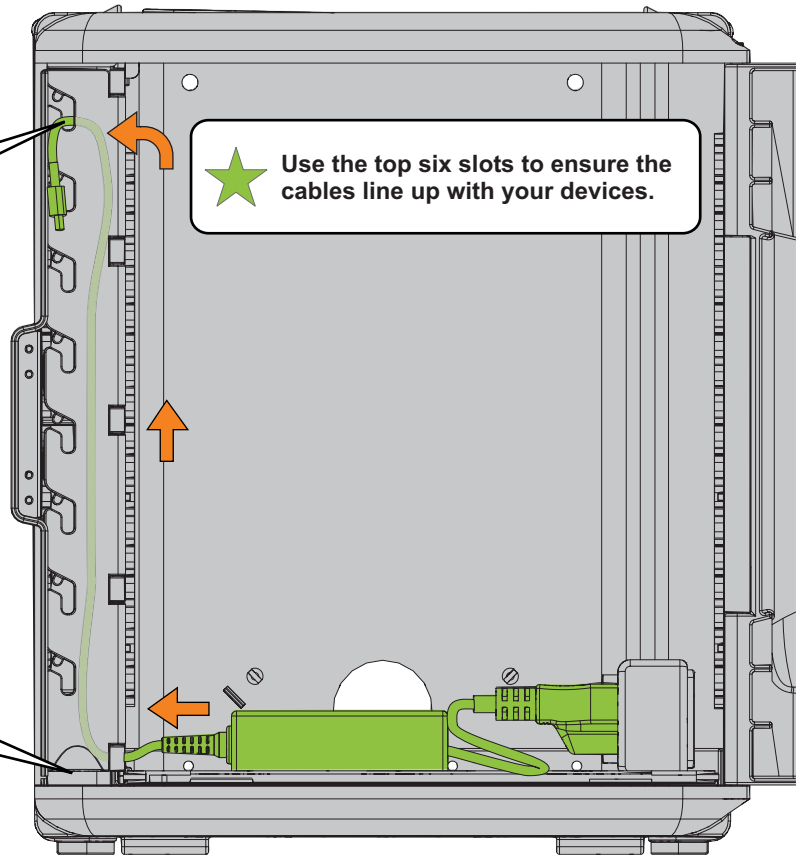
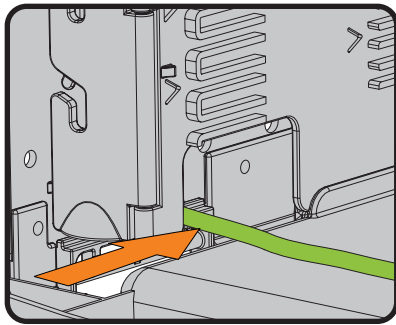
Chromebook

Feed Power Cables Through Cable Management System and Cable Pocket Door

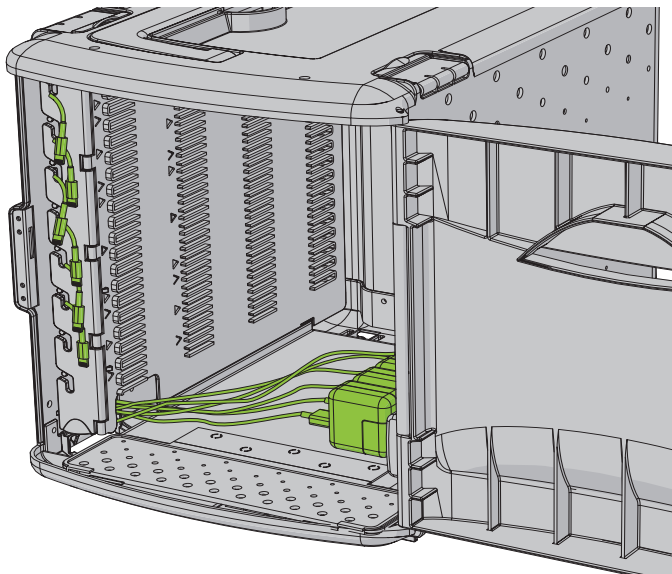
- 2** Hook cables into Cable Pocket Door slots leaving 6" (15cm) of cable outside to plug into device.



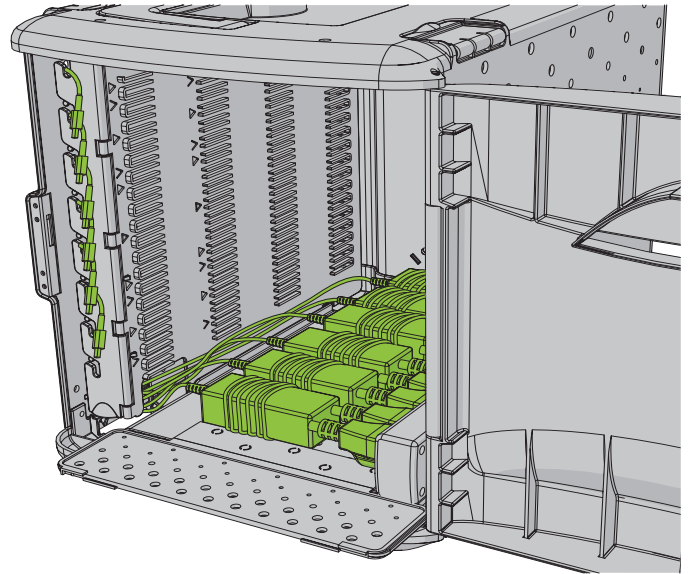
- 1** Slide cable through opening



iPads/Tablets Power Box Setup



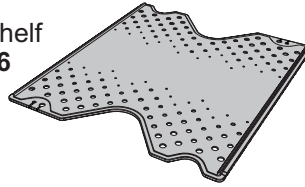
Chromebooks Power Box Setup



6

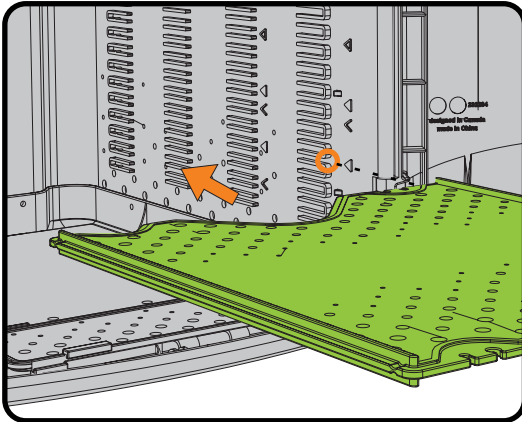
You will need: (Not to Scale)

Shelf
x6

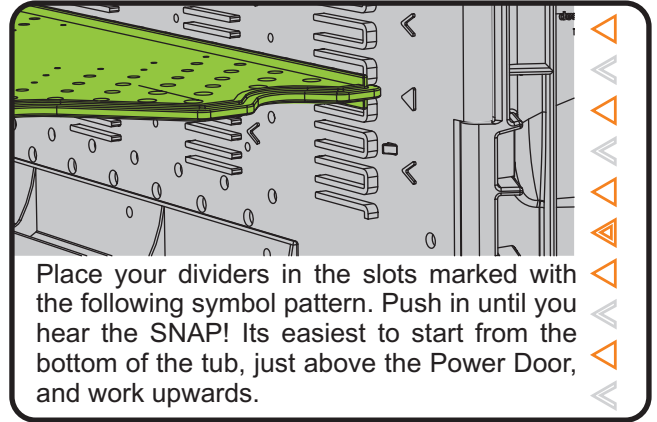


Insert Shelves into Tech Tub²® Body Follow pattern below for proper divider placement

1 Slide first shelf into slot.



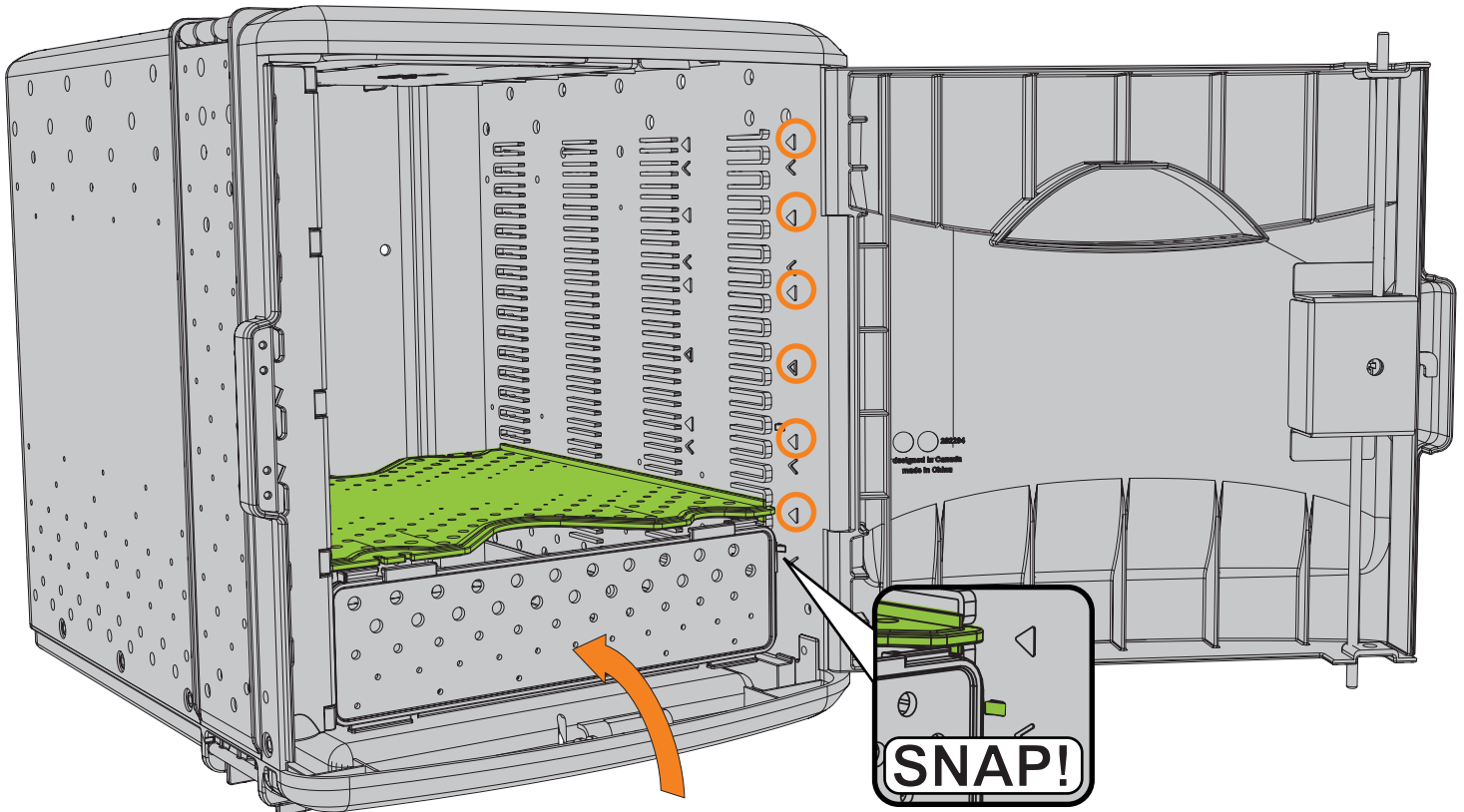
2 Push shelf in until you hear a SNAP!



NOTE:

For cases thicker than 30mm (1.18") only use bottom shelf and stack your devices. Depending on your device and/or cases used, divider spacing can be customized for your needs..

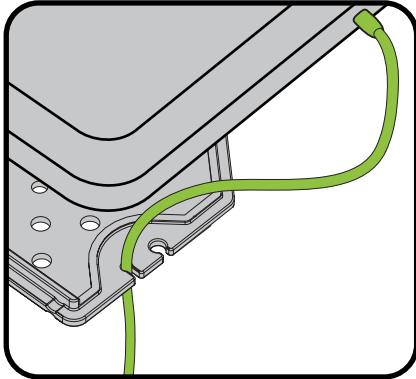
3 Close Power Box Door Once Shelf is in Place



Place Devices onto the Divider

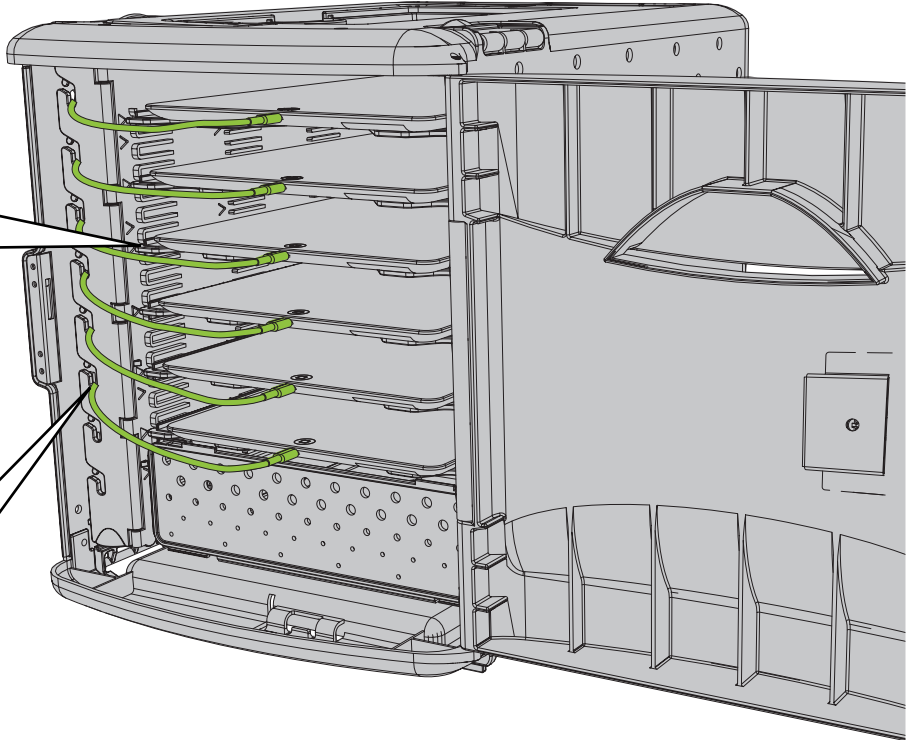
Plug in devices with corresponding cord once in place

iPads/Tablets

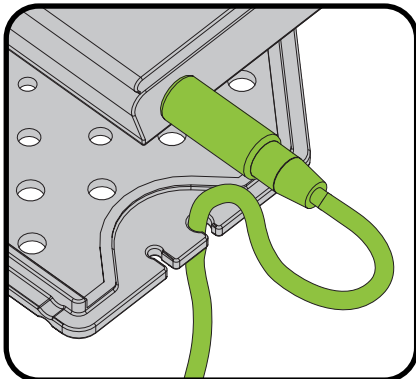


You can use the Cable Clip on the front of the Shelf to keep your cables in place.

! Push extra cord behind Cable Pocket Door once device is installed.

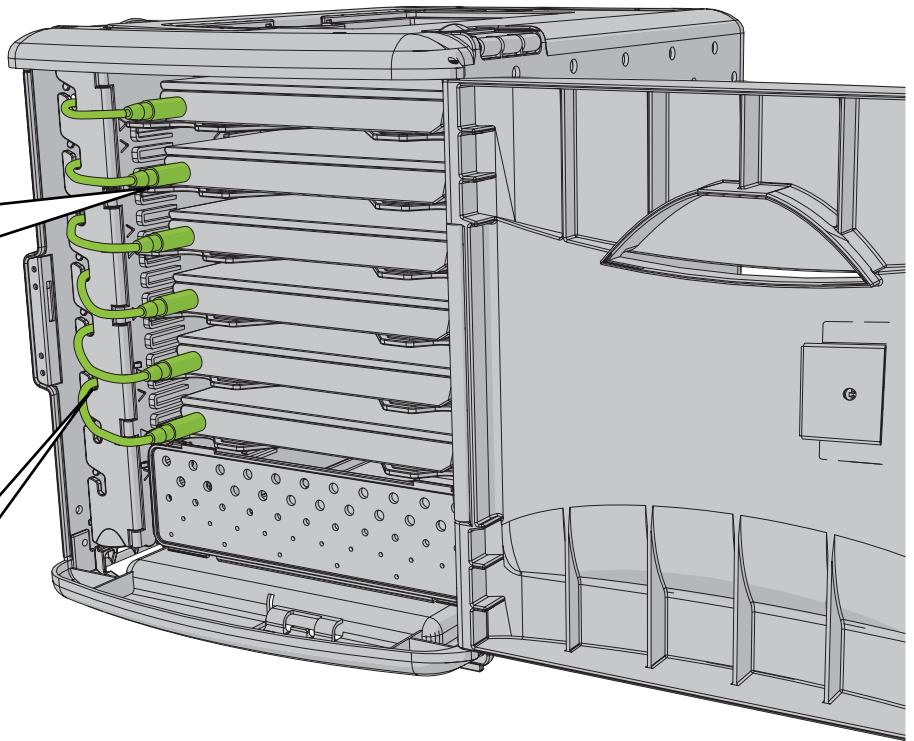


Chromebooks



You can use the Cable Clip on the front of the Shelf to keep your cables in place.

! Push extra cord behind Cable Pocket Door once device is installed.



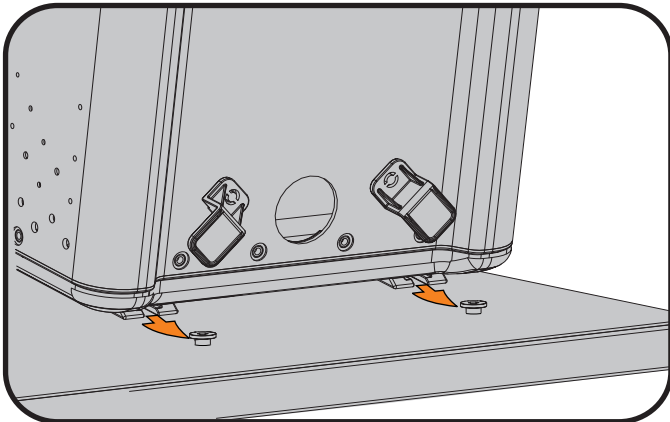


Surface Mounting Tech Tub²[®]

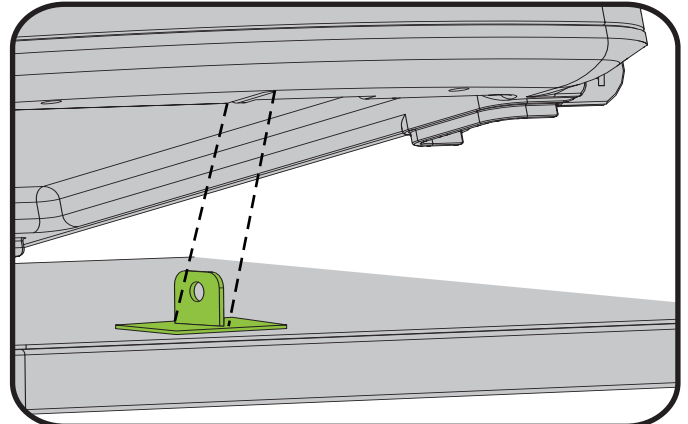
Lock Tub to Surface Using Locking Pin.

! First, complete the installation of surface mounting hardware using the attached template; then complete the steps below to secure your Tech Tub²[®] onto the surface.

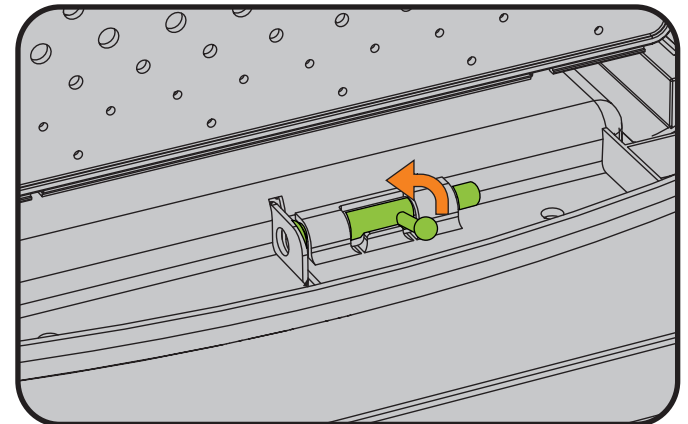
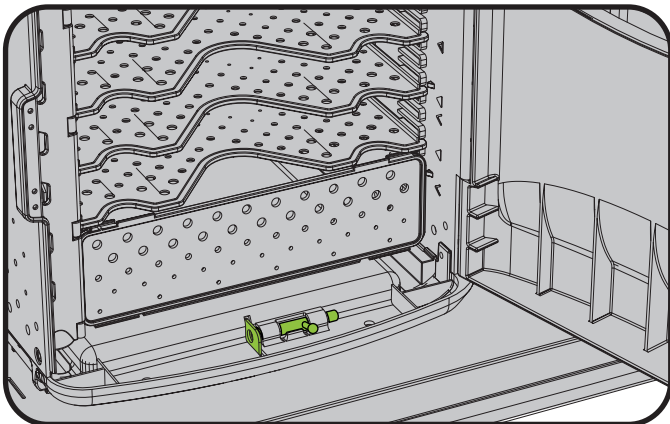
- 1** Hook the rear feet onto the pins, slide tub all the way back.



- 2** The slot on the front underside of the Tech Tub²[®] fits over the metal tab.



- 3** Open the Tech Tub²[®] front door and slide the locking pin through the metal tab.



- 4** After sliding pin through bracket, lock front door of Tech Tub²[®] to secure devices.

