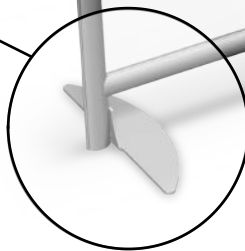


# UrbanWall

SCREENING SYSTEM

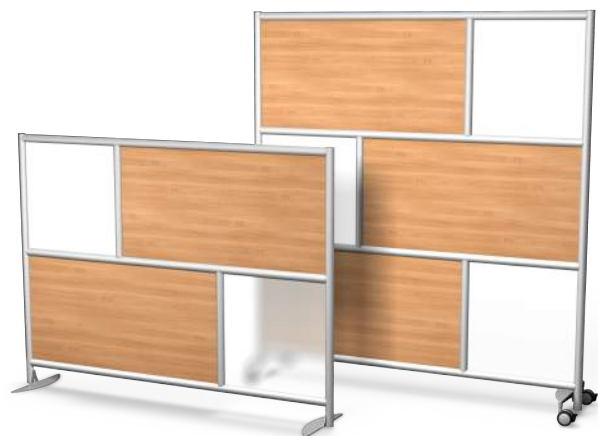
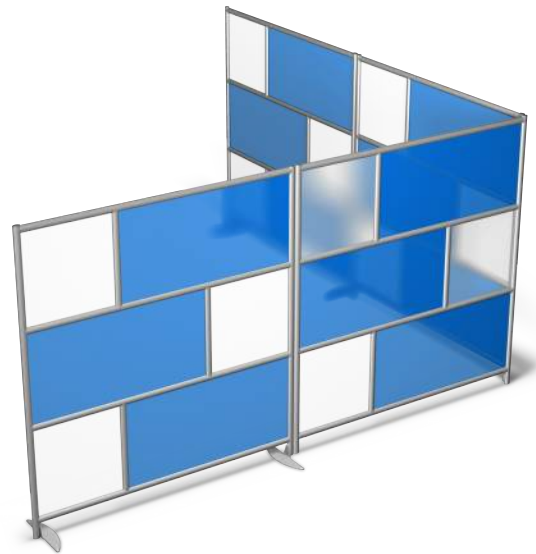


Available with mobile feet,  
freestanding, or hinged together  
for many different applications.

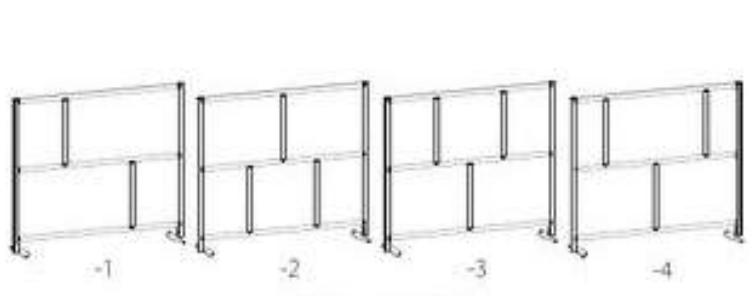
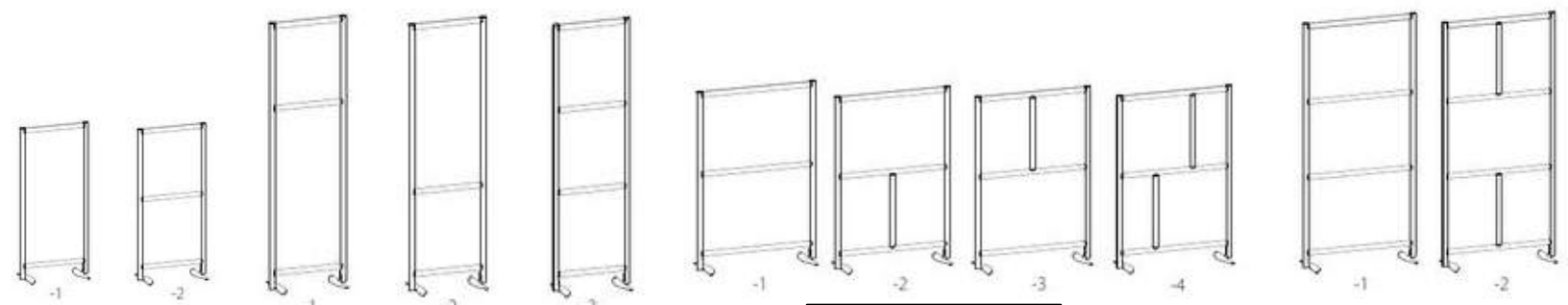


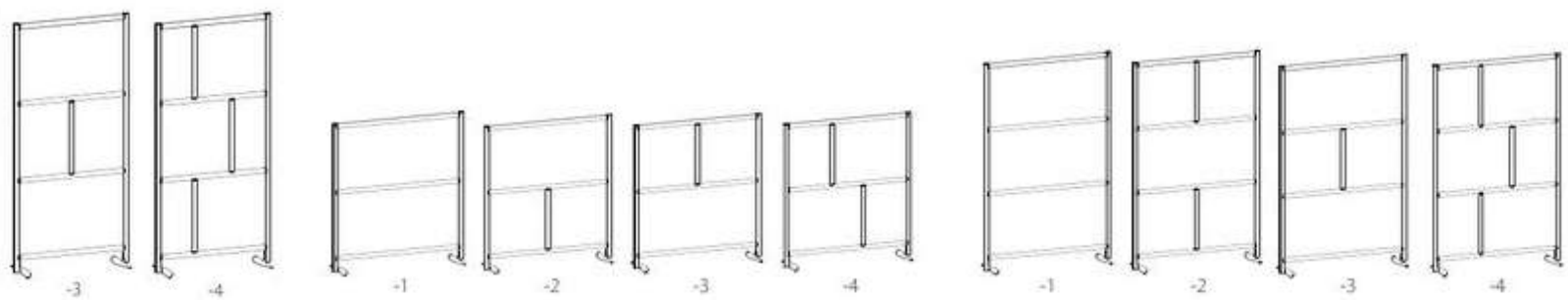


With a sleek, contemporary design, Symmetry's room divider walls divide your space with class. The **Urban Wall** comes in a wide range of sizes, configurations and core options making it fun and easy to create a custom configuration to fit the size and look of your current space. Use support feet for freestanding privacy partitions, mobile feet for a portable wall or hinge several together to create a unique divider wall. The **Urban Wall** frames ship assembled. Made in the U.S.A.





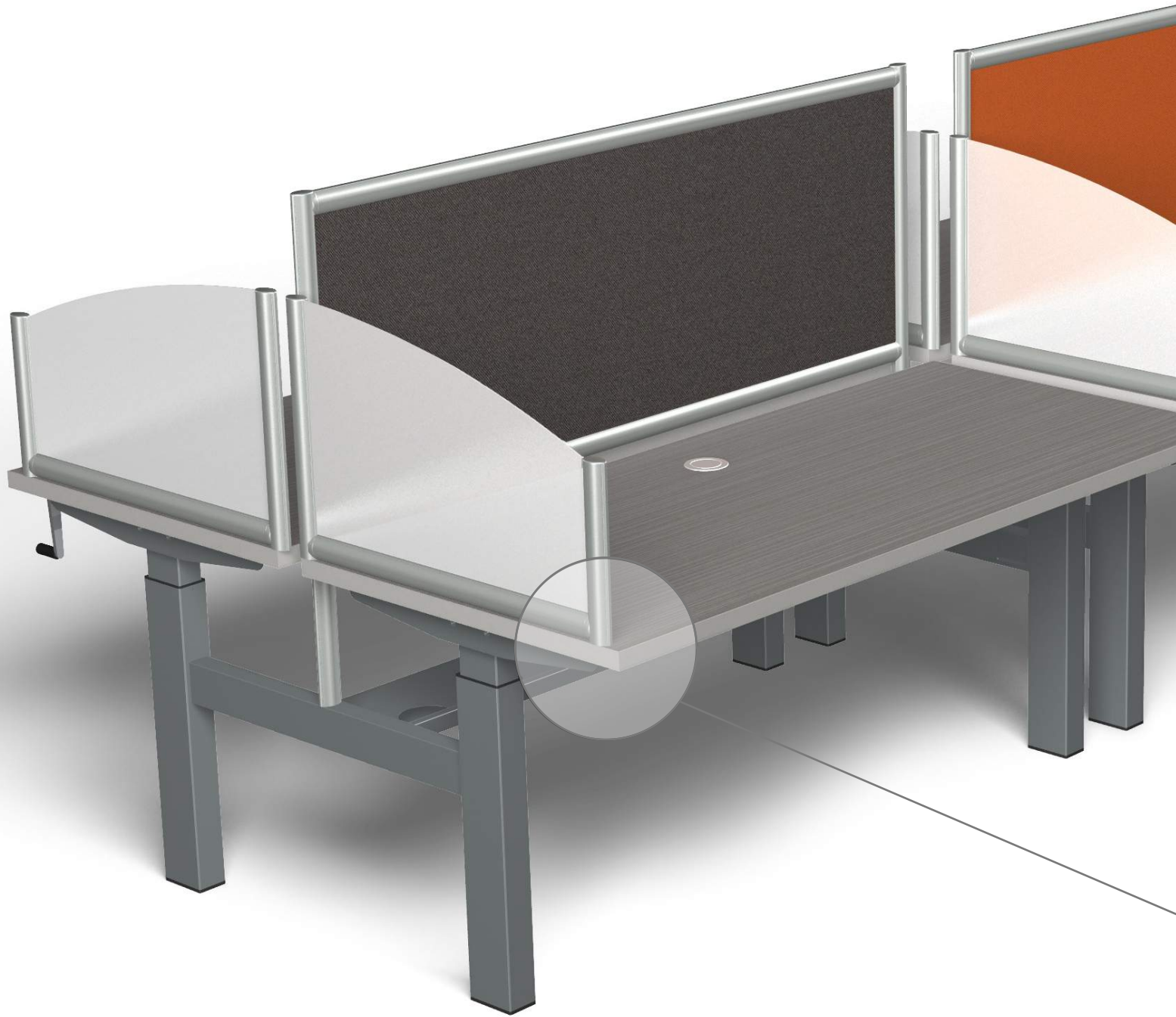




**3** different frame options  
**5** different leg options  
**37** different configurations  
**39** different standard fabric/core options

**UNLIMITED POSSIBILITIES**



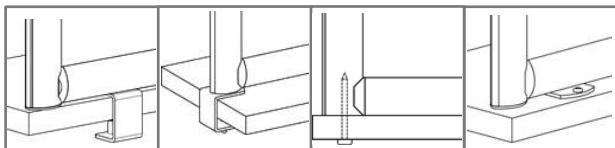




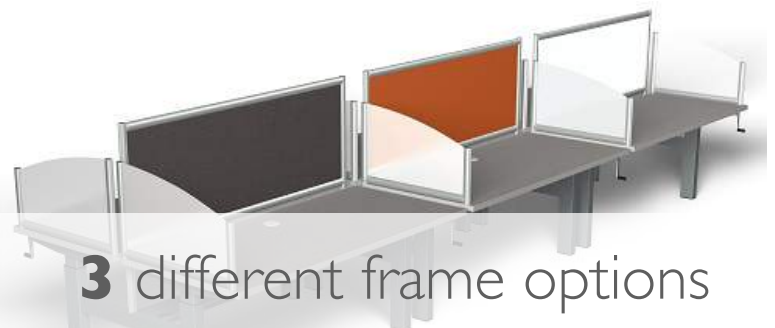


Tabletop desk dividers are an easy and economical way to add privacy to existing workstations or for turning freestanding tables into custom cubicles, study carrels or call center stations. They come in a wide range of sizes and core options, making it easy to create a custom configuration to fit the size and look of your current space. Desk dividers are easy to install and have several mounting options. Various cores are constructed with sound absorbing material to reduce noise levels. Our desk dividers are made in the USA and custom sizes, colors, and core materials are available.

Mounting options in side mount clamps, bolt through, edge clamps, and top plate.







**3** different frame options  
**4** different mounting options

**39** different standard fabric/core options

- unlimited custom core options

**SEAMLESS INTEGRATION WITH URBAN WALL**





F: 480.393.4000

T: 888.552.5699

E: [info@symmetryoffice.com](mailto:info@symmetryoffice.com)

[www.symmetryoffice.com](http://www.symmetryoffice.com)