

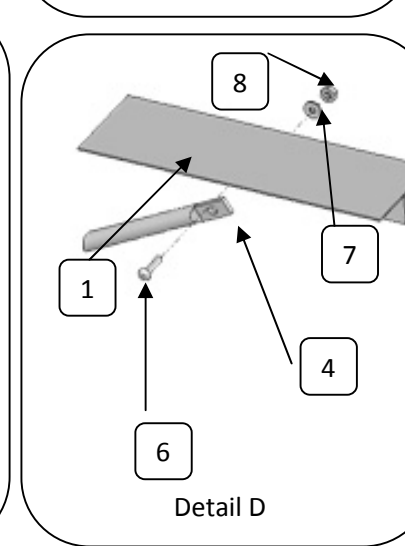
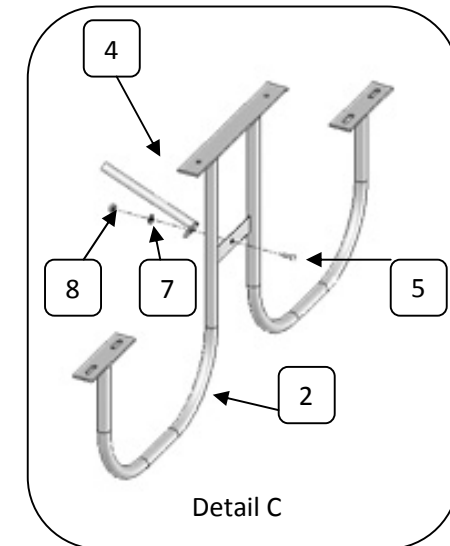
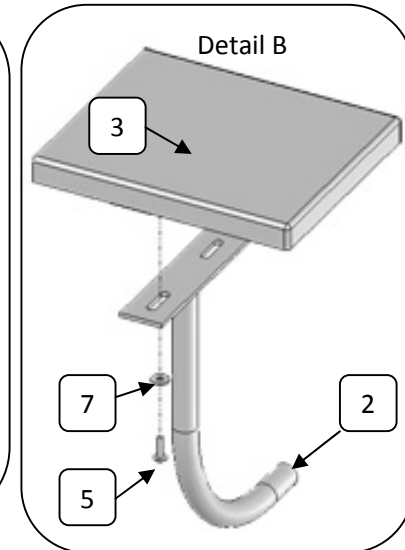
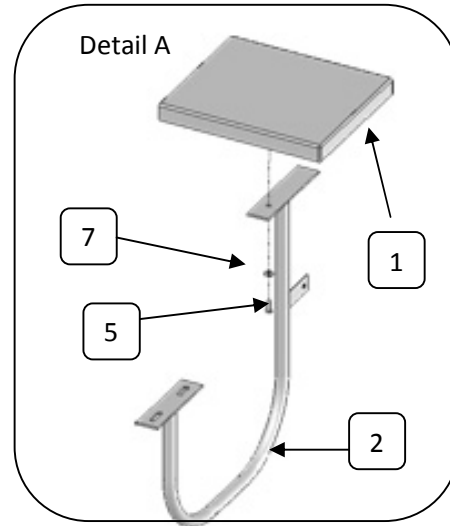
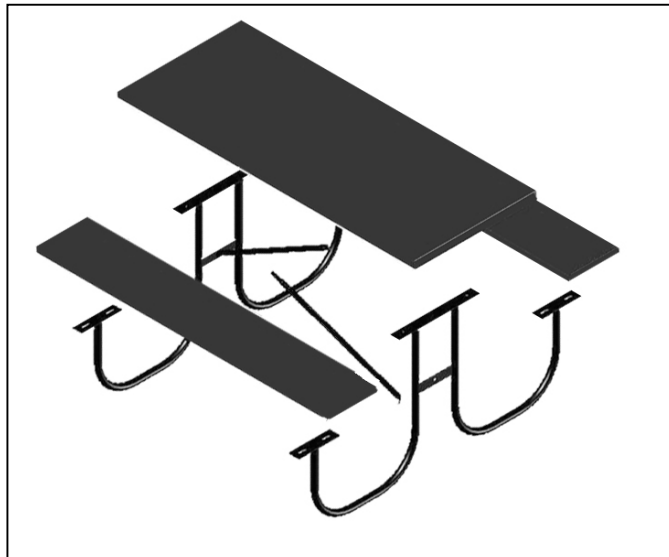


Wheelchair Accessible Rectangle Table 2 3/8" Walk Through Frame

For Part Numbers: 602-665,
602-669, 602-666 and 602-670

Component Details

Item No.	Part Number	Description	QTY
1	Style Index	Table Top	1
2	Frame Index	Table Leg	2
3	Style Index	Seat	2
4	603-206	Brace	2
5	126-703	3/8 x 1" Button Head Bolt	14
6	126-701	3/8 x 1 1/4" Button Head Bolt	2
7	316-601	3/8" Washer	20
8	126-602	3/8" Lock Nut	4
9	516-400	Lock Tite	1
10	416-505BPK	7/32 Long Arm Socket Key	1
11	*tie down	Safety bracket	4
12	000-000	3/8 x 4" Anchor bolts	8
		Total Pieces	49





Wheelchair Accessible Rectangle Table 2 3/8" Walk Through Frame

For Part Numbers: 602-665,
602-669, 602-666 and 602-670

Important

- Please keep a copy of these instructions in your files. There is important replacement part information in them that will assist you in the event a part is ever needed.
- Refer to the safety index for safety bracket installation instructions.

Assembly Information

- Other than when a specific step in the assembly instructions specifies "to not apply lock tite (8)", we recommend applying a small amount to all assembly bolts.
- Hand-tighten all bolts during the initial assembly (unless specifically told to tighten completely in the instructions). Once the unit is fully assembled and square you should completely tighten them.
- Verify that all parts were received by comparing the parts received to the component list on page one.
- If your product mounts to something (surface mount, in ground or wall mount) you will typically assemble the product before drilling or digging holes in order to ensure proper layout.
- CONTACT YOUR DISTRIBUTOR ABOUT ANY PARTS YOU ARE MISSING. You must report missing parts within 10 days of delivery.

General Maintenance

- It is recommended that you inspect product monthly for loose bolts and broken parts. If replacement parts are needed please refer to these instructions for part numbers and descriptions then call your distributor to order replacements.

Assembly Instructions

1. Attach the Table Top (1) to the Table Legs (2) by inserting 3/8" x 1" Button head bolts (5) and 3/8" washers (7) through the bottom of the mounting plate on the Table Frame and into the factory installed nuts attached to the brackets on the bottom of the table top (Detail A), do not completely tighten the bolts at this time.
2. Using the 3/8" x 1" (5) bolts and 3/8" washers (7) attach the seats (3) to the frame (2) by inserting bolts through the bottom of the mounting plates an the frame and into the factory installed nuts attached to the bracket on the bottom of the seat (Detail B), do not completely tighten bolts at this time.
3. Attach the Braces (4) to bottom side of the Table Top (1) using the 3/8" x 1 1/4" bolt (6), 3/8 washer (7) and 3/8 lock nut (8) to the hole in the center support rib on the bottom of the table top (Detail D). It is not necessary to apply lock tite to these bolts.
4. Next attach the Braces (4) to the tab welded in the center of each Table Leg (2) using the 3/8 x 1" bolts (5), 3/8" washer (7) and 3/8 locknut (8) (Detail C). Completely tighten these bolts using the 7/32 Allen wrench provided. It is not necessary to apply lock tite to these bolts.
5. Completely tighten the bolts that attach the Braces (4) to the Table Legs (2).
6. Square the unit in all directions and tighten the seats and table to the frame (Detail's A and B).
7. Install safety brackets. Refer to safety index for instructions.



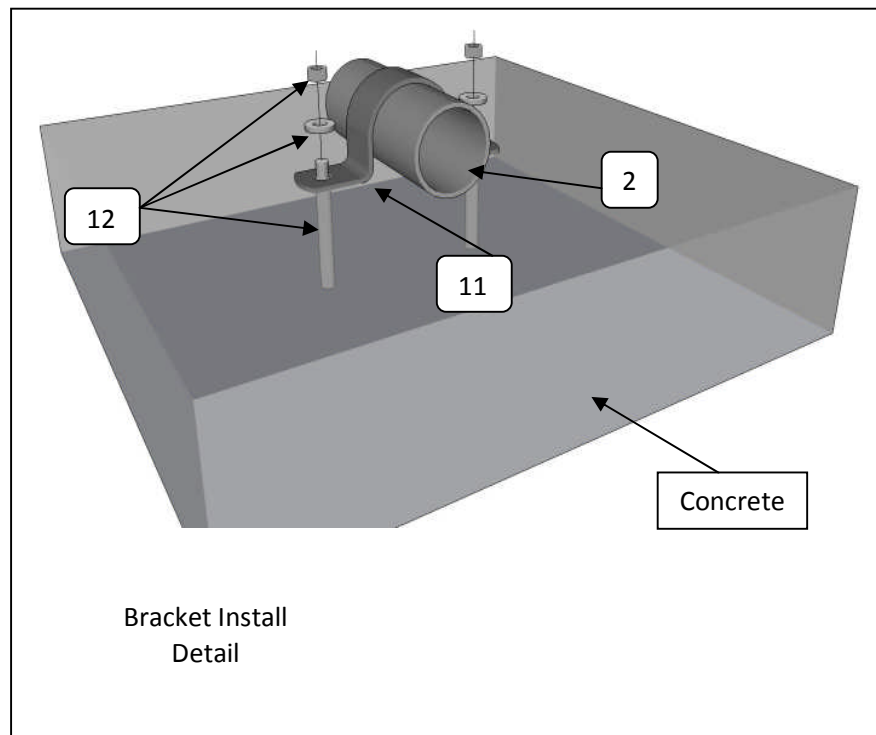
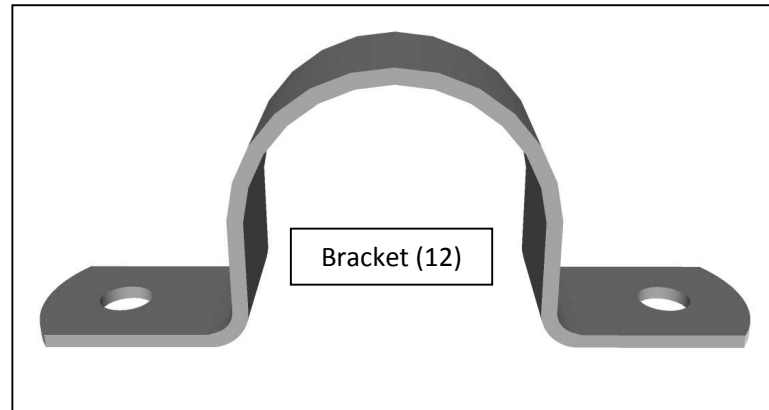
SportsPlay

Safety Bracket Index

Safety Bracket Install

***Note: Because the wheel chair accessible table overhangs the frame install these brackets to prevent the table from flipping over.**

1. Either place unit on an existing concrete surface or dig holes 10" deep and 10" wide to mount the table to.
2. First square unit and ensure all bolts are tight.
3. Place table in desired location and set brackets (11) onto frame. Mark holes and remove bracket and table from location.
4. Drill the marked holes 4" deep with a 3/8" bit.
5. Remove the nuts and washers from the anchor bolts (12) and place the anchor bolt into the drilled holes. Back the bolt in the anchor out far enough so there are sufficient threads exposed for the nut after the bolt goes through the bracket and washer.
6. Put the table back in place and attach the bracket. Re-attach the nuts and washers to the anchor bolts. Do not tighten completely until all nuts and washers have been re-attached.





Wheel Chair Bench & Table Style Options

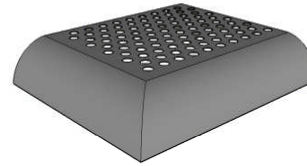
Style Identification

In the event a replacement part is needed, it is important that you are able to identify not only the product but the style of product you ordered. The images to the right represent all the style options that are available for the product you purchased. Please identify your style and it's corresponding part number before you contact your distributor or the manufacturer for replacement parts.

Currently, SportsPlay Equipment offers four style options. Rolled edge with perforated steel, beveled edge with perforated steel, rolled edge with expanded steel and beveled edge with expanded steel.

To identify your product style you must first define the edge. If it has a radius it is a rolled edge and if it has a 45 degree angle it is the beveled edge. Expanded steel is easily identified by it's distinct weaved pattern. The perforated steel option is simply sheet metal that has been punched with a pattern of holes.

Rolled/Perforated



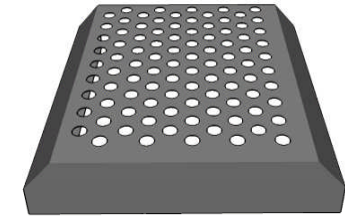
Bench

613-501PR

Table

613-709PR

Beveled/Perforated



Bench

613-501PB

Table

613-709PB

Rolled/Expanded



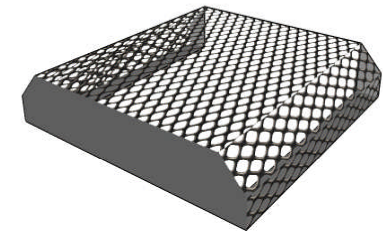
Bench

613-501ER

Table

613-709ER

Beveled/Expanded



Bench

613-501EB

Table

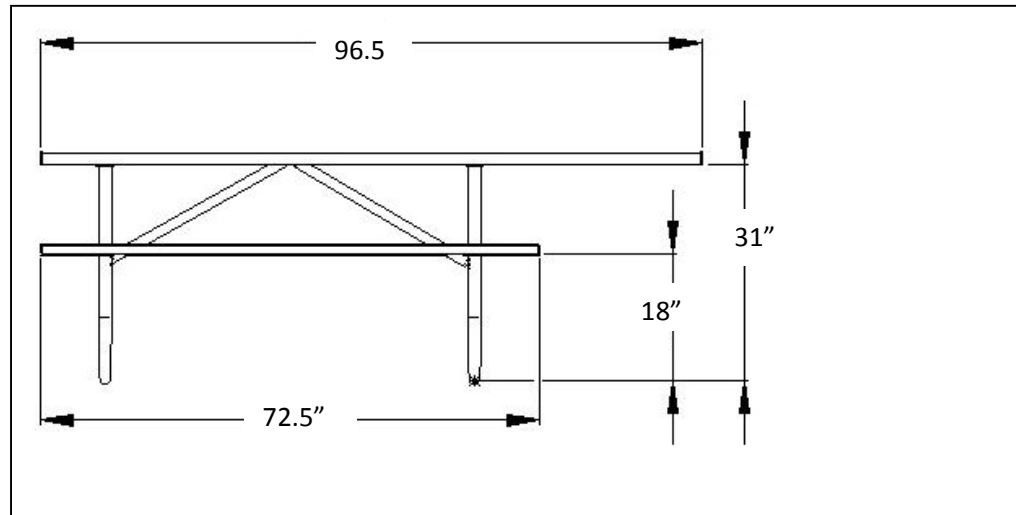
613-709EB



Wheelchair Accessible Rectangle Table 2 3/8" Walk Through Frame

For Part Numbers: 602-665, 602-669, 602-666
and 602-670

Front View



Top View

