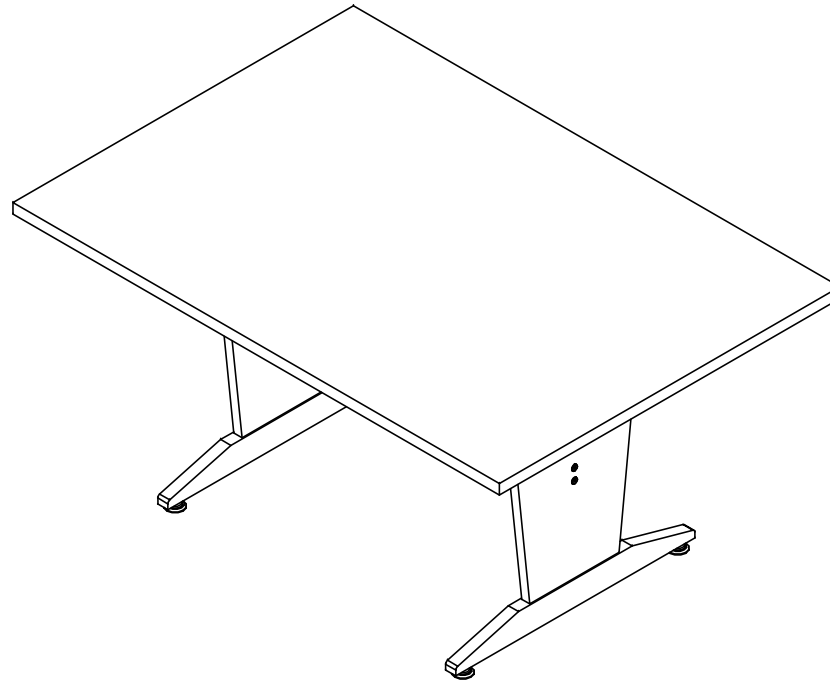


PLANNING TABLES

PT-60, PT-61, & PT-62 SERIES
ASSEMBLY INSTRUCTIONS



NOTE:

1. MODEL VIEWS MAY NOT REPRESENT EXACT MODEL PURCHASED
2. PT-62 = PLAIN, PT-61 = BOOK COMPARTMENTS, PT-60 = TOTE TRAYS

DWN BY:	EMK	DWN DATE:	10/23/14
APR BY:		DATE APR:	
APR BY:		DATE APR:	

UNLESS OTHERWISE SPECIFIED
DIMENSION ARE IN INCHES
CABINET SQUARENESS ± .0625
FRACTIONAL VALUES ± 1/32"
- ALL VALUES ± OVERALL -



300 South Krueger Street
Suring, WI 54174
diversifiedwoodcrafts.com

TITLE:
PLANNING TABLES
ASSEMBLY INSTRUCTIONS

REV.	DESCRIPTION	DATE	NAME	ECN NO.
A	CREATED ASSEMBLY INSTRUCTIONS	10/23/14	EMK	-
REVISION LEVEL				

THIS DRAWING IS THE SOLE PROPERTY OF
DIVERSIFIED WOOD CRAFTS. IT MAY NOT
BE ALTERED OR CHANGED WITHOUT
PERMISSION

DRAWING NUMBER:	SCALE:	SHEET:	REVISION:
PT-60 SERIES	NTS	1 OF 4	REV A

TOOLS REQUIRED

4MM ALLEN WRENCH

ASSEMBLY COMPONENTS

ITEMS INCLUDED	PART #	PART DESCRIPTION	QTY
TOP	VARIES	TOP - 60" W X 42" D - STYLE VARIES	1
HARDWARE BAG	15-0069	PT HARDWARE BAG - INCLUDES (4) LEG LEVELERS, (11) SCREWS FOR TOP, AND (1) HEX KEY	1
LEG PANEL ASSEMBLY	VARIES	LEG,PANEL,PED,ASSY-HEIGHT VARIES WITH TABLE STYLE	2
STRETCHER	227927	STRETCHERS,LEG,34.50 TABLE, MPL - UPPER	1
STRETCHER	228501	STRETCHERS,LEG,MPL,1.00X2.50X34.50 - LOWER	1
CONFIRMATS - STRETCHERS	237959	SCREW,7MMX70MM,CONN,ALLENHEAD, BLACK	8
BOOK RAIL	N/A	BOOK RAIL - 1.00" THK X 1.25" W X 36.50" L	2
ASTRAGAL	205587-P	ASTRAGAL,WH HARD MPL .25 X .88	2.875
COMPARTMENT BOTTOM	N/A	COMPARTMENT BOTTOM - 0.25" THK X 23.375" W X 34.50" L	1
SCREWS - COMP BOTTOM, ASTRAGAL, AND BOOK RAILS	100597	SCREW,#8X1.5 QUAD ROUND WASHER	9
CENTER TOTE RAIL	228755	RAIL,CENTER,TOTE,SLIDE 1.25X2.00X15.938	2
OUTER TOTE RAIL	228760	RAIL,OUTER,TOTE,SLIDE 1.25X1.25X15.938	4
SCREWS - TOTE RAILS	100641	SCREW,#8X1 ³ / ₄ " QUAD RD WASHER HD	18
TOTE TRAY	100135	TOTE TRAY, T-188	4

NOTE:

1. TOP STYLES = MAPLE (M), NATURAL BIRCH P.LAM (PNB), OR ALMOND P.LAM (P).
2. LEG PANEL ASSEMBLY HEIGHT VARIES - STANDARD HEIGHT (30"H) OR ELEMENTARY HEIGHT (26"H).
3. *XX* INDICATES PARTS ONLY FOR PT-61 SERIES.
4. **XX** INDICATES PARTS ONLY FOR PT-60 SERIES.

DWN BY:	EMK	DWN DATE:	10/23/14
APR BY:		DATE APR:	
APR BY:		DATE APR:	

UNLESS OTHERWISE SPECIFIED
DIMENSION ARE IN INCHES
CABINET SQUARENESS ± .0625
FRACTIONAL VALUES ± 1/32"
- ALL VALUES ± OVERALL -



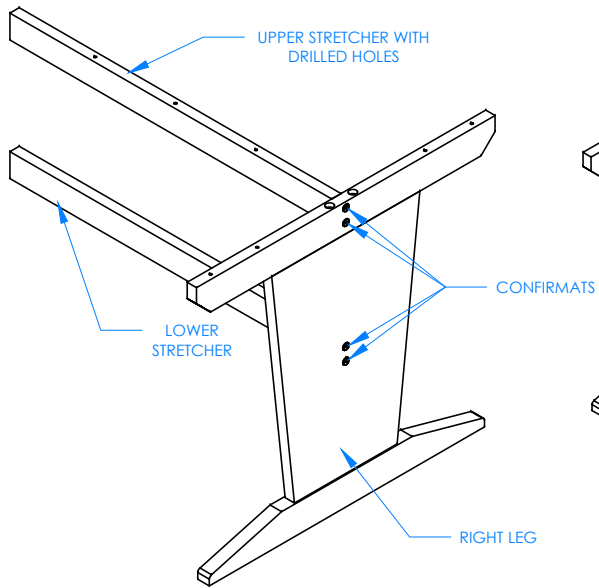
300 South Krueger Street
Suring, WI 54174
diversifiedwoodcrafts.com

TITLE:
PLANNING TABLES
TOOLS AND ASSEMBLY COMPONENTS

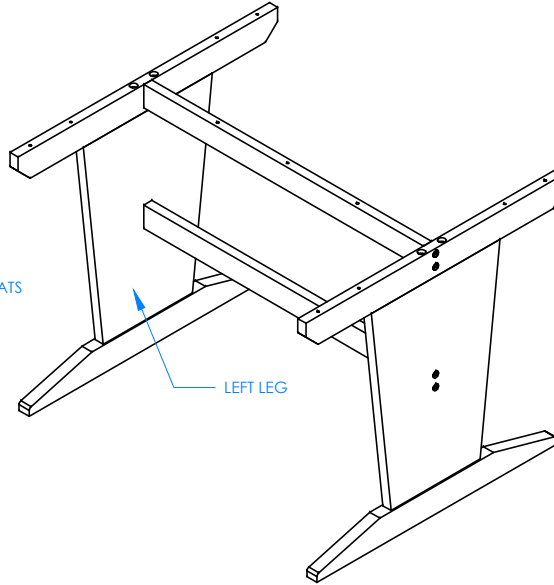
REV.	DESCRIPTION	DATE	NAME	ECH NO.
A	CREATED ASSEMBLY INSTRUCTIONS	10/23/14	EMK	-

THIS DRAWING IS THE SOLE PROPERTY OF
DIVERSIFIED WOOD CRAFTS. IT MAY NOT
BE ALTERED OR CHANGED WITHOUT
PERMISSION

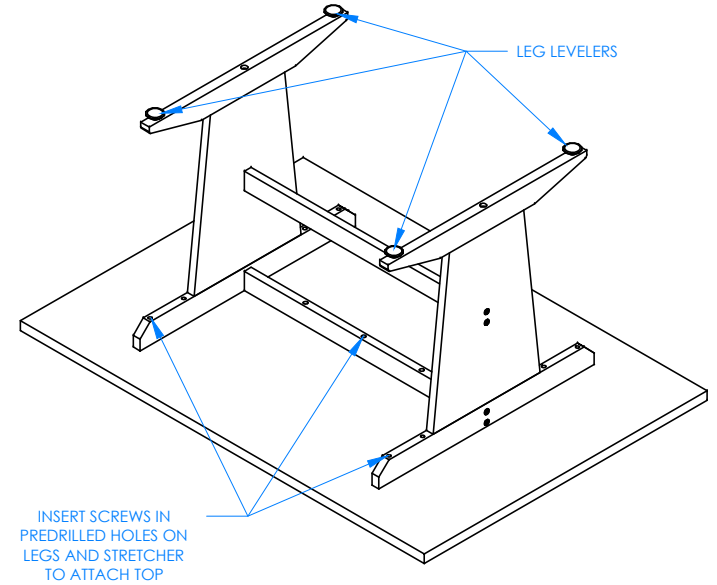
DRAWING NUMBER:	SCALE:	SHEET:	REVISION:
PT-60 SERIES	NTS	2 OF 4	REV A



STEP 1:
 TAKE THE RIGHT TABLE LEG AND INSERT LOWER STRETCHER THROUGH THE PREDRILLED HOLES. ATTACH WITH THE CONFIRMATS PROVIDED. DO THE SAME TO THE UPPER STRETCHER. STRETCHER WITH DRILLED HOLES GOES ON TOP.



STEP 2:
 WITH THE LEFT TABLE LEG, REPEAT STEP ONE. MAKE SURE EACH CONFIRMAT IS TIGHT AND STRETCHERS ARE STRAIGHT BEFORE MOVING ON.



STEP 3:
 FLIP LEG ASSEMBLY OVER AND CENTER LEGS ONTO TOP. MAKE SURE TOP IS SET ON A CLEAN SURFACE TO PREVENT DAMAGE. ATTACH THE LEG ASSEMBLY TO THE TOP USING THE SCREWS PROVIDED. SCREW LEG LEVELERS INTO T-NUT ON BOTTOM OF LEGS.

IF YOUR TABLE IS PLAIN (PT-62), SKIP TO STEP 6. IF YOUR TABLE HAS TOTE TRAYS (PT-60), SKIP TO STEP 5. IF YOUR TABLE HAS A COMPARTMENT BOTTOM (PT-61), GO TO STEP 4.

NOTE:
 1.

DWN BY:	EMK	DWN DATE:	10/23/14
APR BY:		DATE APR:	
APR BY:		DATE APR:	

UNLESS OTHERWISE SPECIFIED
 DIMENSION ARE IN INCHES
 CABINET SQUARENESS ± .0625
 FRACTIONAL VALUES ± 1/32"
 - ALL VALUES ± OVERALL -



300 South Krueger Street
 Suring, WI 54174
 diversifiedwoodcrafts.com

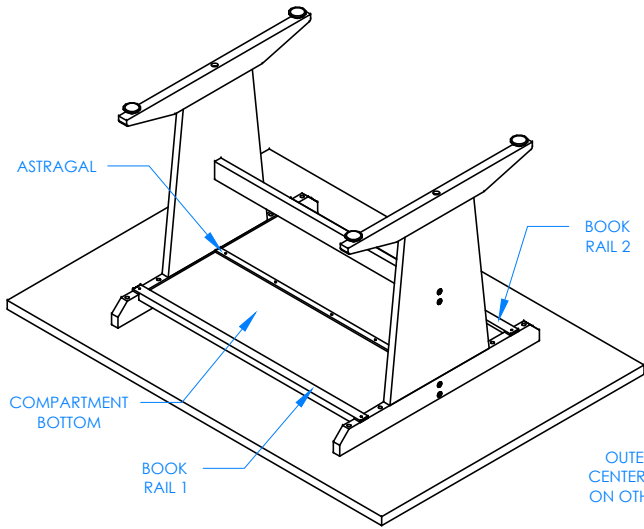
TITLE:
 PLANNING TABLES
 ASSEMBLY INSTRUCTIONS

REV.	DESCRIPTION	DATE	NAME	ECH NO.
A	CREATED ASSEMBLY INSTRUCTIONS	10/23/14	EMK	-
REVISION LEVEL				

THIS DRAWING IS THE SOLE PROPERTY OF
 DIVERSIFIED WOOD CRAFTS. IT MAY NOT
 BE ALTERED OR CHANGED WITHOUT
 PERMISSION

DRAWING NUMBER:
 PT-60 SERIES

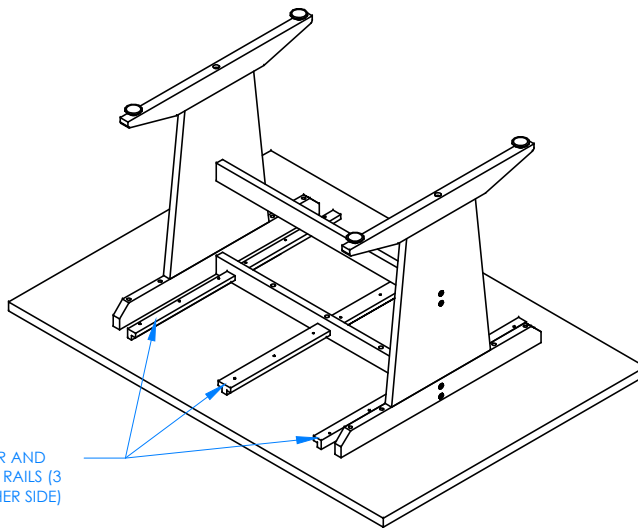
SCALE:	SHEET:	REVISION:
NTS	3 OF 4	REV A



FOR TABLES WITH A COMPARTMENT BOTTOM ONLY

STEP 4:

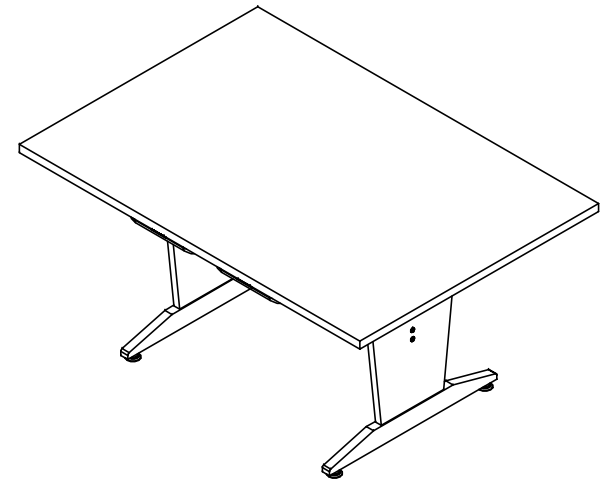
SET COMPARTMENT BOTTOM ON STRETCHER SO THE HOLES ON BOTTOM ARE IN THE CENTER OF THE STRETCHER. FIT THE GROOVES OF BOOK RAILS ON THE SIDES OF THE COMPARTMENT BOTTOM AND ATTACH TO LEGS WITH SCREWS PROVIDED. ALIGN THE HOLES OF THE ASTRAGAL WITH THE HOLES OF THE COMPARTMENT BOTTOM AND ATTACH TOGETHER WITH THE REST OF THE SCREWS. SKIP TO STEP 6.



FOR TABLES WITH A TOTE TRAYS ONLY

STEP 5:

SCREW THE CENTER AND OUTER TOTE RAILS IN CORRECT LOCATIONS INTO TOP WITH SCREW PROVIDED.



COMPLETE UNIT SHOWN

STEP 6:

TURN TABLE OVER AND ADJUST THE LEG LEVELERS TO LEVEL THE TABLE. ADD TOTE TRAYS IF NECESSARY. SET TABLE IN PLACE.

NOTE:

- 1.

DWN BY:	EMK	DWN DATE:	10/23/14
APR BY:		DATE APR:	
APR BY:		DATE APR:	

UNLESS OTHERWISE SPECIFIED DIMENSION ARE IN INCHES
 CABINET SQUARENESS ± .0625
 FRACTIONAL VALUES ± 1/32"
 - ALL VALUES ± OVERALL -



300 South Krueger Street
 Suring, WI 54174
 diversifiedwoodcrafts.com

TITLE:
 PLANNING TABLES
 ASSEMBLY INSTRUCTIONS

REV.	DESCRIPTION	DATE	NAME	ECH NO.
A	CREATED ASSEMBLY INSTRUCTIONS	10/23/14	EMK	-
REVISION LEVEL				

THIS DRAWING IS THE SOLE PROPERTY OF DIVERSIFIED WOOD CRAFTS. IT MAY NOT BE ALTERED OR CHANGED WITHOUT PERMISSION

DRAWING NUMBER:	SCALE:	SHEET:	REVISION:
PT-60 SERIES	NTS	4 OF 4	REV A