

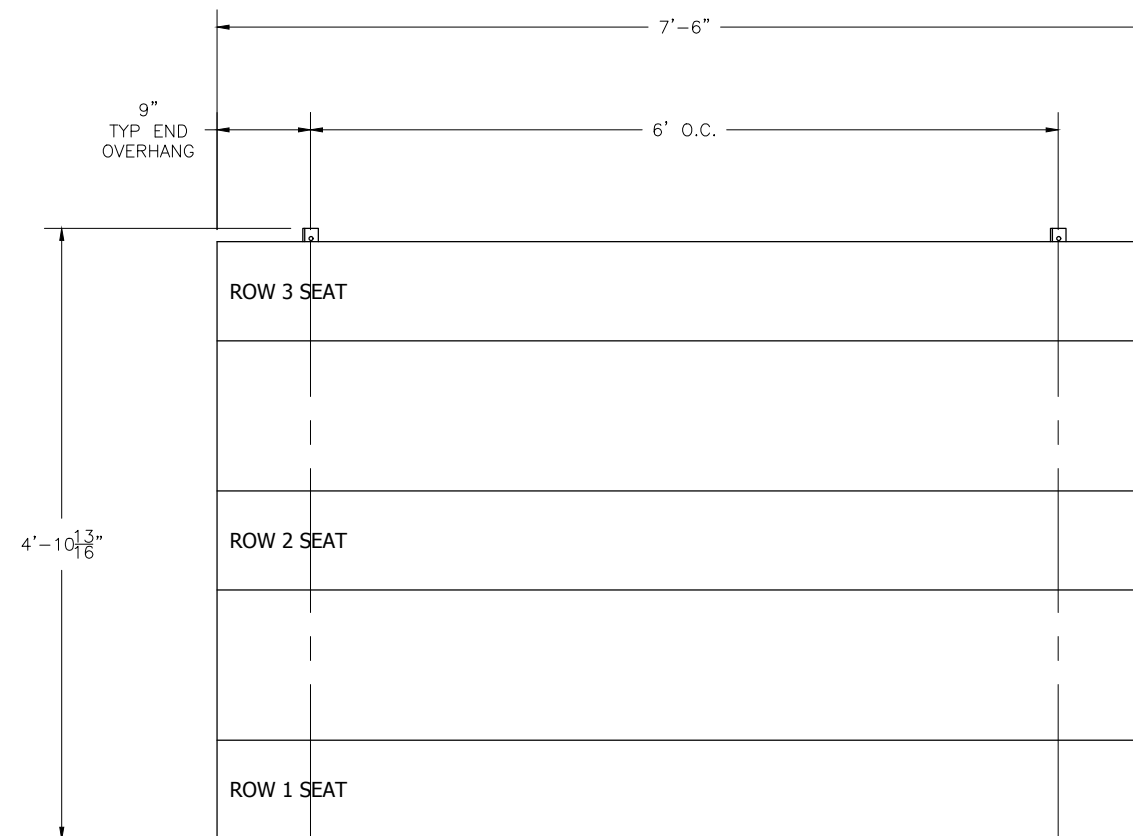
NB-0307.5ASTD

NON ELEVATED 3 ROW x 7'-6" BLEACHER

National Recreation Systems, Inc.

CS.1	- COVER SHEET
TD.1	- BLEACHER SEATING PLAN
FP.1	- FOUNDATION PLAN
BA.1	- BLEACHER ASSEMBLY
AP.1	- ANCHORING PLAN
PF.1	- PLANK & FRAMING PLAN

BLEACHER TOP VIEW



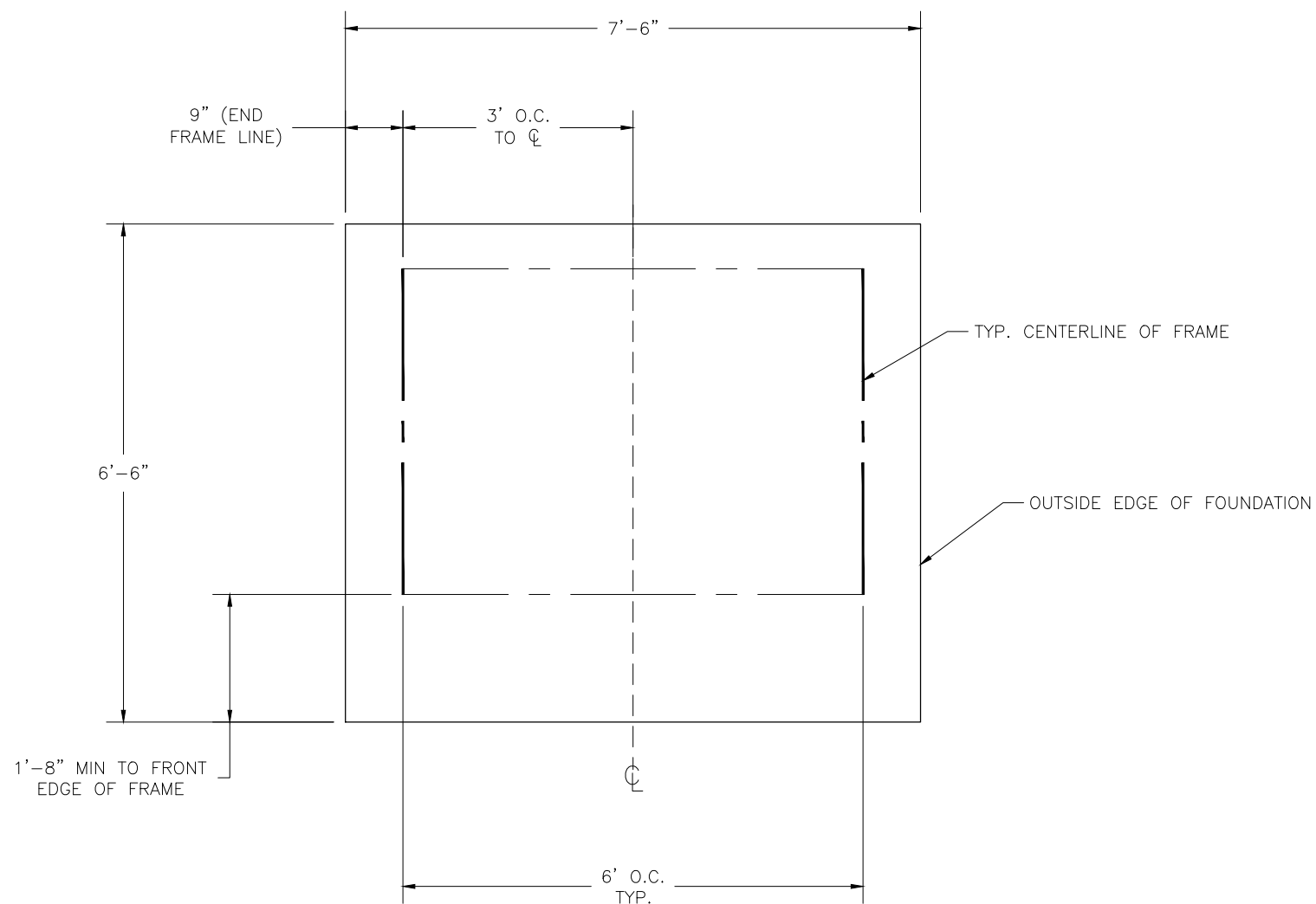
SECTION LENGTH	GROSS SEATS	ACTUAL SEATS	NO. OF ROWS	NET SEATS
7.5	5.00	5.00	3	15
			NET SEATS	15
			WHEELCHAIR SPACES	0
			TOTAL NET SEATING CAPACITY	15
			(BASED ON 18" PER SEAT)	

This drawing and all information contained herein is the property of NATIONAL RECREATION SYSTEMS, INC. and is not to be reproduced without express written permission of this manufacturer. We assume no responsibility for unauthorized use of this drawing. National Recreation Systems, Inc. is not responsible for local permits and occupancy requirements.

National Recreation Systems, Inc.

SCALE: N.T.S.	REVISION:	DRAWN BY: IMP
DATE: 10/20/16		
TITLE: 3 ROW x 7'-6" BLEACHER SEATING PLAN		
BLEACHER MODEL #: NB-0307.5ASTD	DRAWING NUMBER: TD.1	

LOCATE FRAMES ON FOUNDATION



* MINIMUM FOUNDATION AREA SHOWN. DEPENDING ON LOCAL SOIL CONDITIONS, BLEACHER CAN BE INSTALLED ON A CONCRETE PAD OR FOOTERS, OR ATTACHED TO 2x6 TREATED LUMBER GROUND SILLS AND PLACED ON COMPACTED STONE, ASPHALT, OR ANY OTHER SMOOTH, SOLID, LEVEL SURFACE. CONSULT YOUR LOCAL CONCRETE CONTRACTOR TO DETERMINE PROPER CONCRETE SPECIFICATIONS FOR YOUR LOCAL SOIL AND WEATHER-RELATED CONDITIONS. THE BEARING SURFACE MUST BE CAPABLE OF SUPPORTING A MINIMUM OF 660 POUNDS PER LINEAR FOOT. TO MEET LOCAL CODES, BLEACHERS WILL NEED TO BE ANCHORED. ANCHORING SYSTEMS FOR ALL SURFACE TYPES ARE AVAILABLE - CONTACT YOUR BLEACHER SALES REPRESENTATIVE FOR MORE INFORMATION.

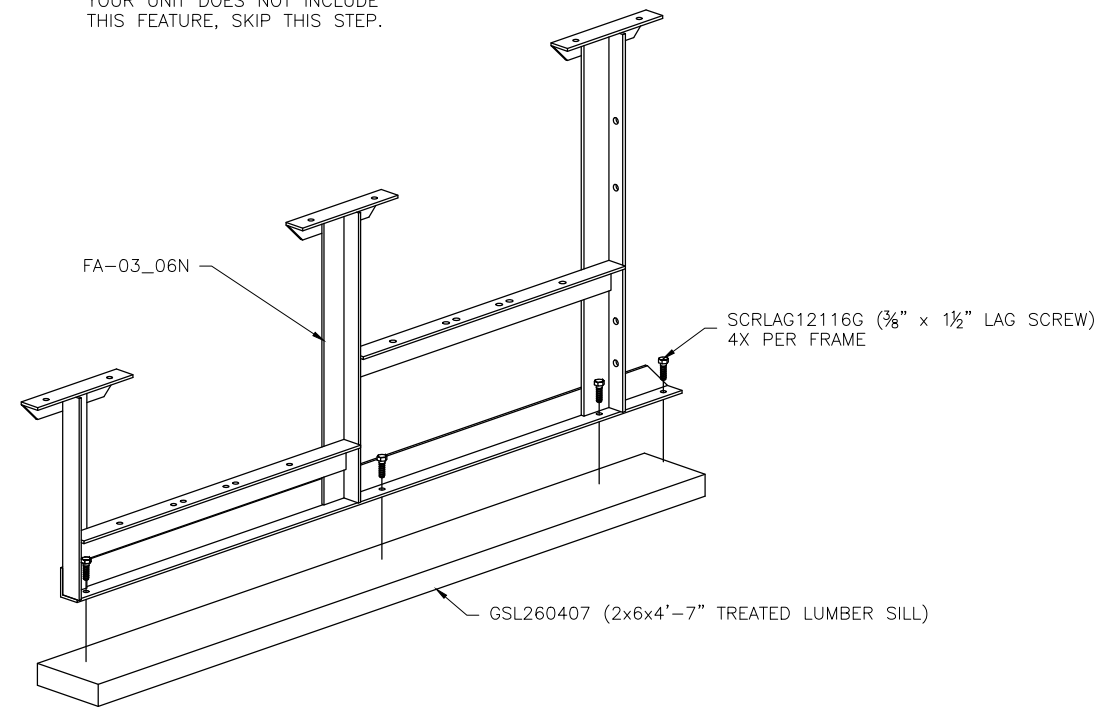
This drawing and all information contained herein is the property of NATIONAL RECREATION SYSTEMS, INC. and is not to be reproduced without express written permission of this manufacturer. We assume no responsibility for unauthorized use of this drawing. National Recreation Systems, Inc. is not responsible for local permits and occupancy requirements.

National Recreation Systems, Inc.

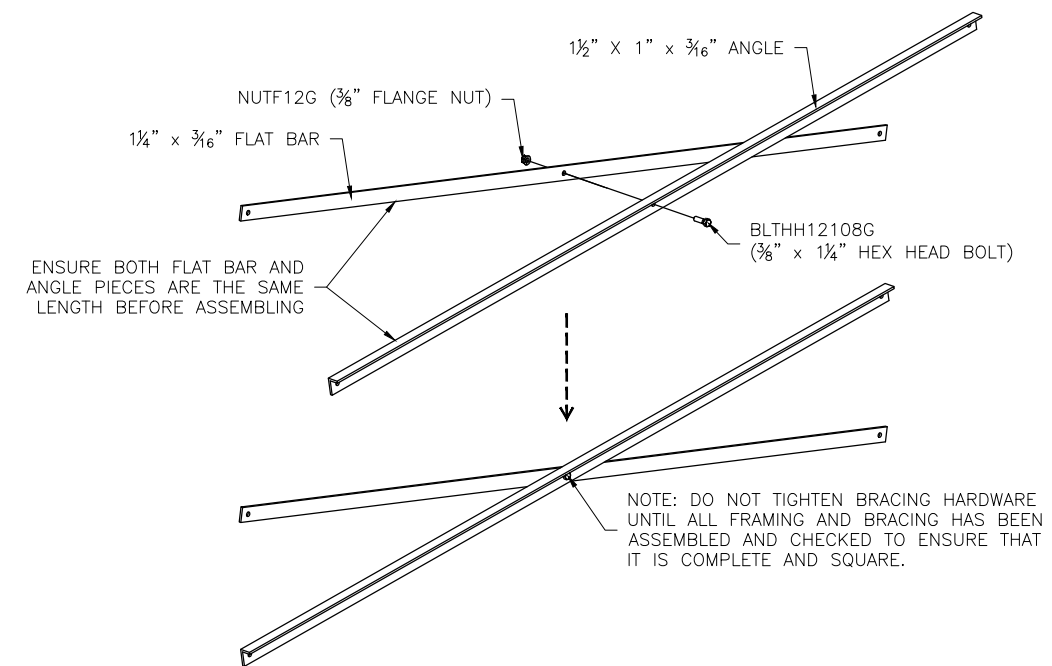
SCALE: N.T.S.	REVISION:	DRAWN BY: IMP
DATE: 10/20/16		
TITLE: 3 ROW x 7'-6" BLEACHER FOUNDATION PLAN		
BLEACHER MODEL #: NB-0307.5ASTD	DRAWING NUMBER: FP.1	

(OPTIONAL) ATTACH GROUND SILLS *

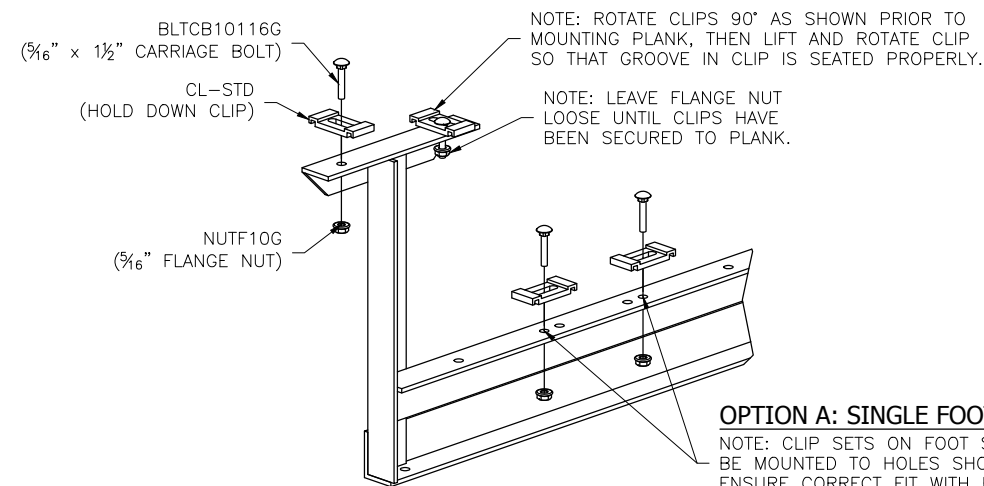
*NOT ALL BLEACHERS WILL RECEIVE GROUND SILLS. IF YOUR UNIT DOES NOT INCLUDE THIS FEATURE, SKIP THIS STEP.



PRE-ASSEMBLE X-BRACE PAIR(S)

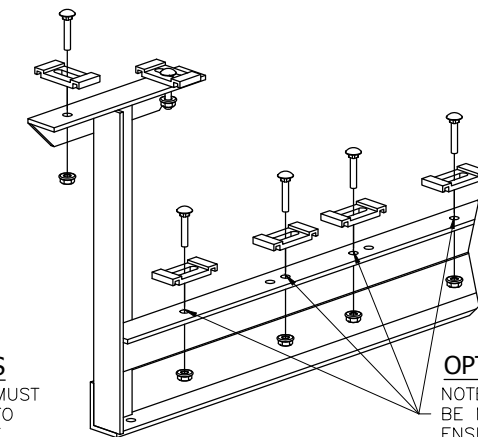


ONCE FRAMING IS COMPLETE, PRE-ASSEMBLE CLIP SETS ON BLEACHER FRAMES



OPTION A: SINGLE FOOT BOARDS

NOTE: CLIP SETS ON FOOT SUPPORTS MUST BE MOUNTED TO HOLES SHOWN HERE TO ENSURE CORRECT FIT WITH FOOT PLANK.



OPTION B: DOUBLE FOOT BOARDS

NOTE: CLIP SETS ON FOOT SUPPORTS MUST BE MOUNTED TO HOLES SHOWN HERE TO ENSURE CORRECT FIT WITH FOOT PLANK.

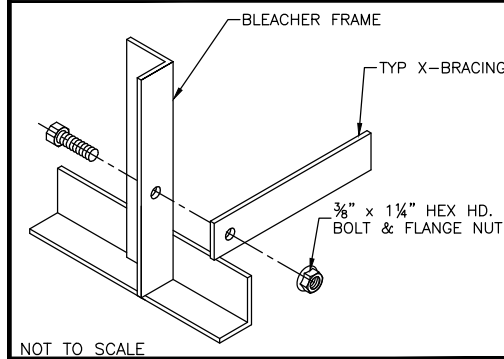
This drawing and all information contained herein is the property of NATIONAL RECREATION SYSTEMS, INC. and is not to be reproduced without express written permission of this manufacturer. We assume no responsibility for unauthorized use of this drawing. National Recreation Systems, Inc. is not responsible for local permits and occupancy requirements.

National Recreation Systems, Inc.

1300-D AIRPORT NORTH OFFICE PARK FORT WAYNE, IN 46825

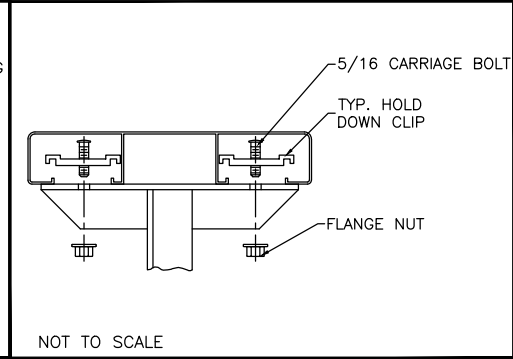
SCALE: N.T.S.	REVISION:	DRAWN BY: IMP
DATE: 10/20/16		
TITLE: 3 ROW X 7'-6" FRAMING & CLIP SET PREPARATION		
BLEACHER MODEL #: NB-0307.5ASTD	DRAWING NUMBER: BA.1	

⊕ TYP X-BRACE CONN. W/ 1/4" BOLT



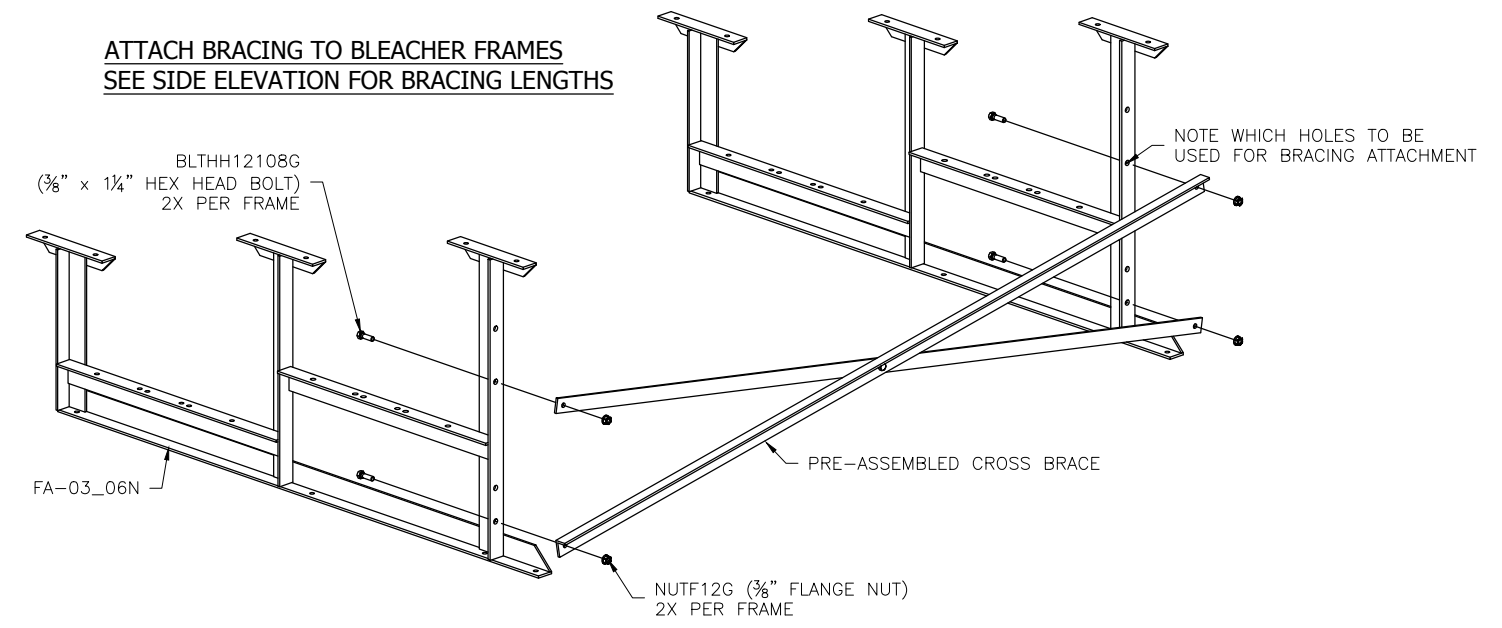
NOT TO SCALE

⊕ TYP 2x10 PLANK ATTACHMENT

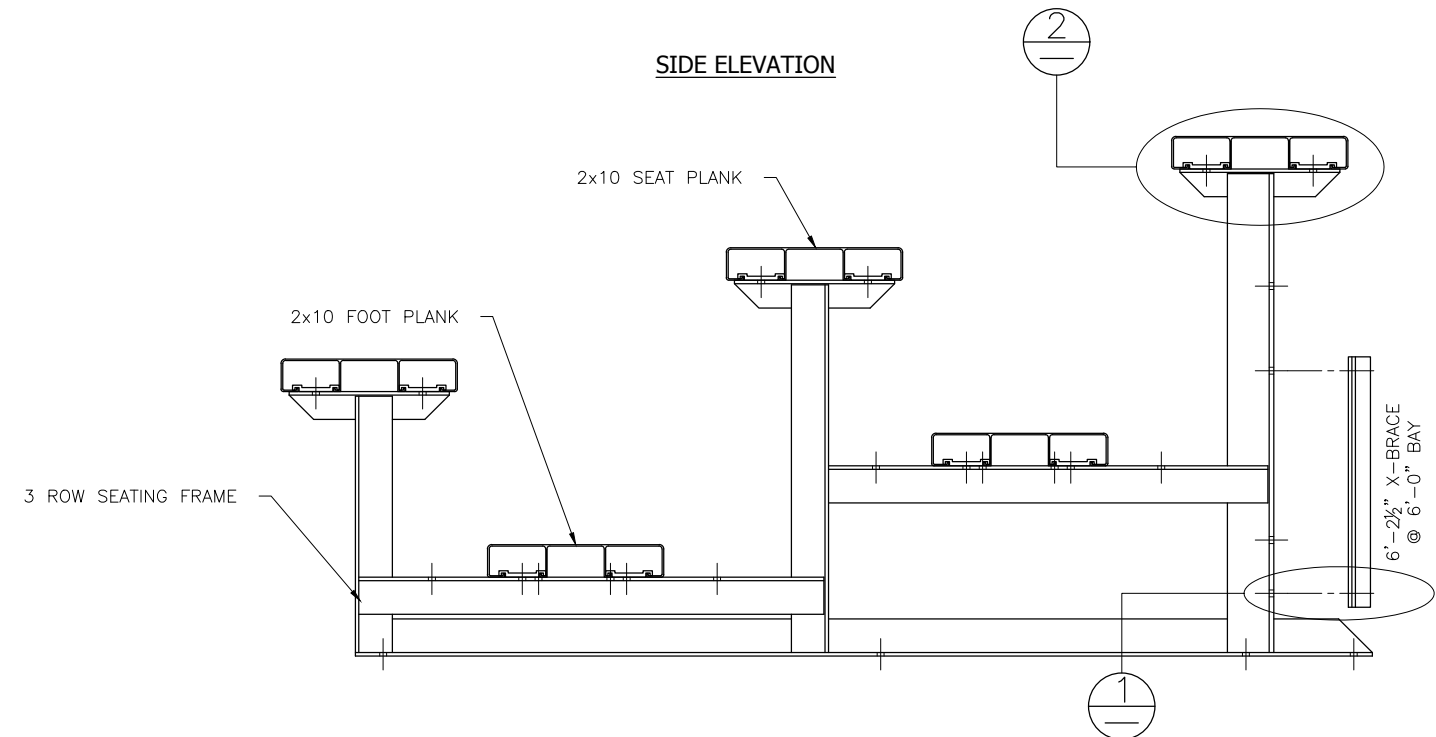


NOT TO SCALE

ATTACH BRACING TO BLEACHER FRAMES
SEE SIDE ELEVATION FOR BRACING LENGTHS



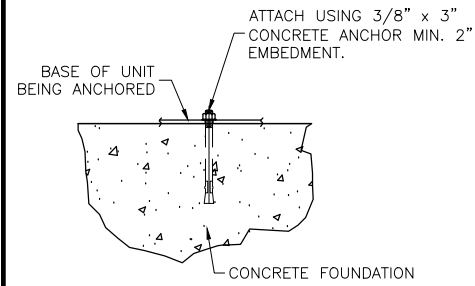
SIDE ELEVATION



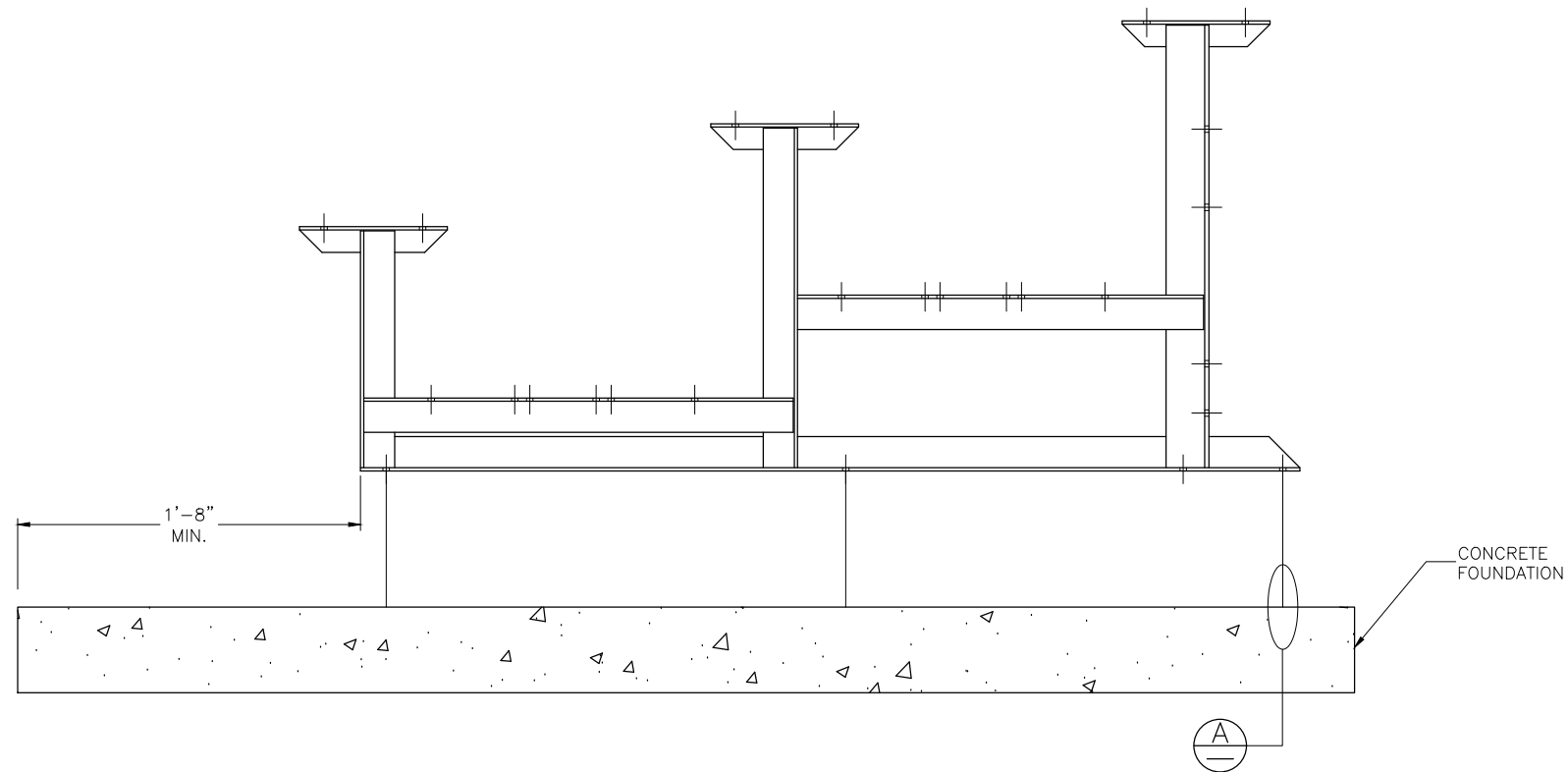
This drawing and all information contained herein is the property of NATIONAL RECREATION SYSTEMS, INC. and is not to be reproduced without express written permission of this manufacturer. We assume no responsibility for unauthorized use of this drawing. National Recreation Systems, Inc. is not responsible for local permits and occupancy requirements.

National Recreation Systems, Inc.		
1300-D AIRPORT NORTH OFFICE PARK FORT WAYNE, IN 46825		
SCALE: N.T.S.	REVISION:	DRAWN BY: IMP
DATE: 10/20/16		
TITLE: 10 ROW X 7'-6" FRAMING ASSEMBLY		
BLEACHER MODEL #: NB-0307.5ASTD	DRAWING NUMBER: BA.1	

Ⓐ WEDGE ANCHOR DETAIL - 3"



(OPTIONAL) ANCHOR BLEACHER TO CONCRETE FOUNDATION *



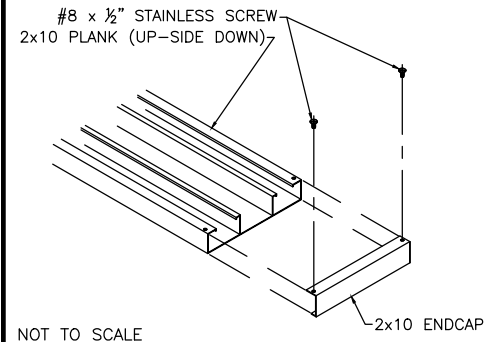
* CONCRETE WEDGE ANCHORS NOT INCLUDED WITH ALL UNITS. IF USING OTHER ANCHORING SYSTEM, SKIP THIS STEP AND REFER TO INSTRUCTIONS SPECIFIC TO THE ANCHORING SYSTEM PURCHASED FOR YOUR UNIT. SEE PRINT FP.1 (INCLUDED IN THIS PACKET) FOR GENERAL CONCRETE FOUNDATION SPECIFICATIONS.

This drawing and all information contained herein is the property of NATIONAL RECREATION SYSTEMS, INC. and is not to be reproduced without express written permission of this manufacturer. We assume no responsibility for unauthorized use of this drawing. National Recreation Systems, Inc. is not responsible for local permits and occupancy requirements.

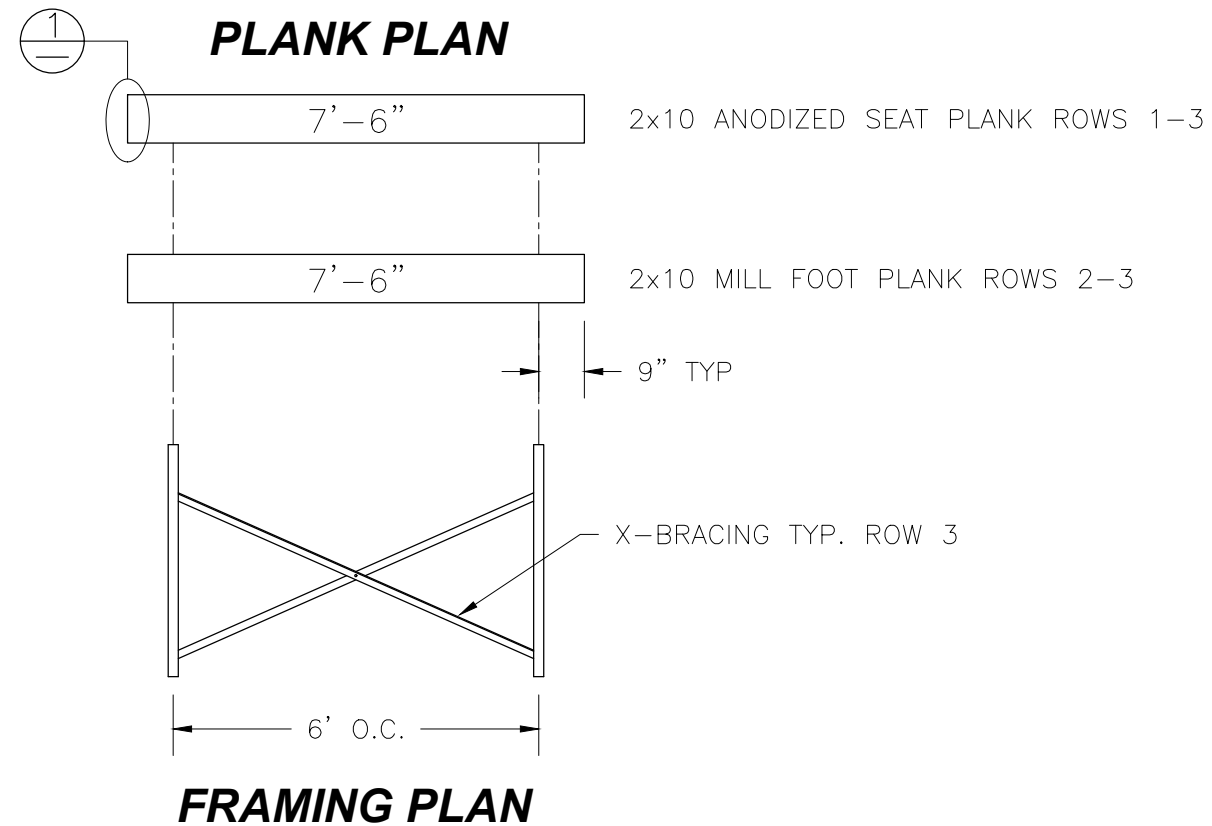
National Recreation Systems, Inc.
1300-D AIRPORT NORTH OFFICE PARK FORT WAYNE, IN 46825

SCALE: N.T.S.	REVISION:	DRAWN BY: IMP
DATE: 10/20/16		
TITLE: 3 ROW CONCRETE ANCHORING PLAN		
BLEACHER MODEL #: NB-0307.5ASTD	DRAWING NUMBER: AP.1	

⊕ TYP 2x10 ENDCAP ATTACHMENT



NOT TO SCALE



This drawing and all information contained herein is the property of NATIONAL RECREATION SYSTEMS, INC. and is not to be reproduced without express written permission of this manufacturer. We assume no responsibility for unauthorized use of this drawing. National Recreation Systems, Inc. is not responsible for local permits and occupancy requirements.

National Recreation Systems, Inc.
1300-D AIRPORT NORTH OFFICE PARK FORT WAYNE, IN 46825

SCALE: N.T.S.	REVISION:	DRAWN BY: IMP
DATE: 10/20/16		
TITLE: 3 ROW x 7'-6" BLEACHER PLANK & FRAMING PLAN		
BLEACHER MODEL #: NB-0307.5ASTD	DRAWING NUMBER: PF.1	