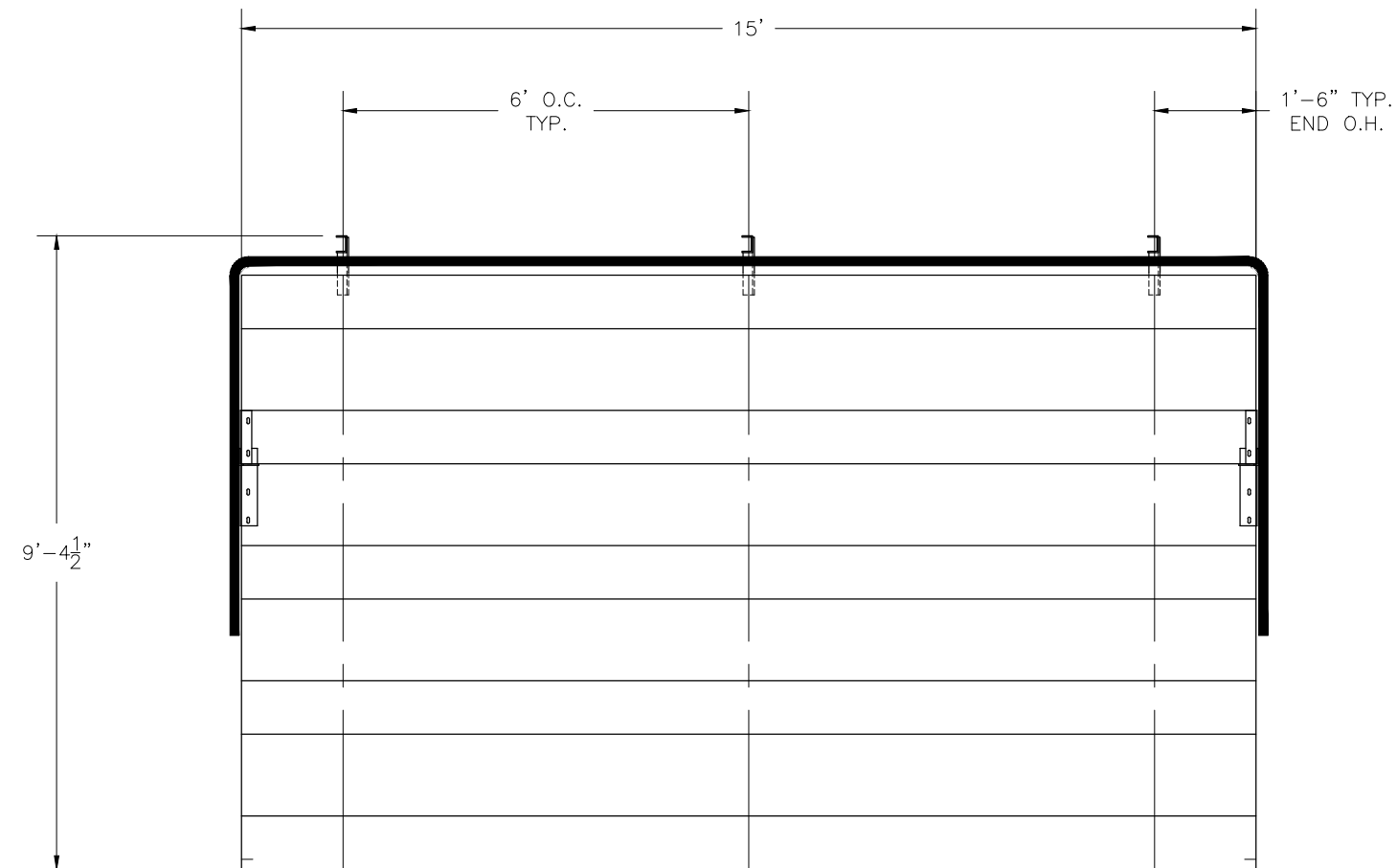


# ***NA-0515STD\_CL***

## ***NON ELEVATED 5 ROW x 15'-0" BLEACHER***

### **National Recreation Systems, Inc.**

CS.1	- COVER SHEET
TD.1	- BLEACHER SEATING PLAN
FP.1	- FOUNDATION PLAN
BA.1	- BLEACHER FRAMING & CLIP PRE-ASSEMBLY
BA.2	- BLEACHER BRACING LOCATION PLAN
BA.3	- BLEACHER ASSEMBLY
AP.1	- ANCHORING PLAN
PF.1	- PLANK & FRAMING PLAN
GR.1	- GUARDRAIL ASSEMBLY



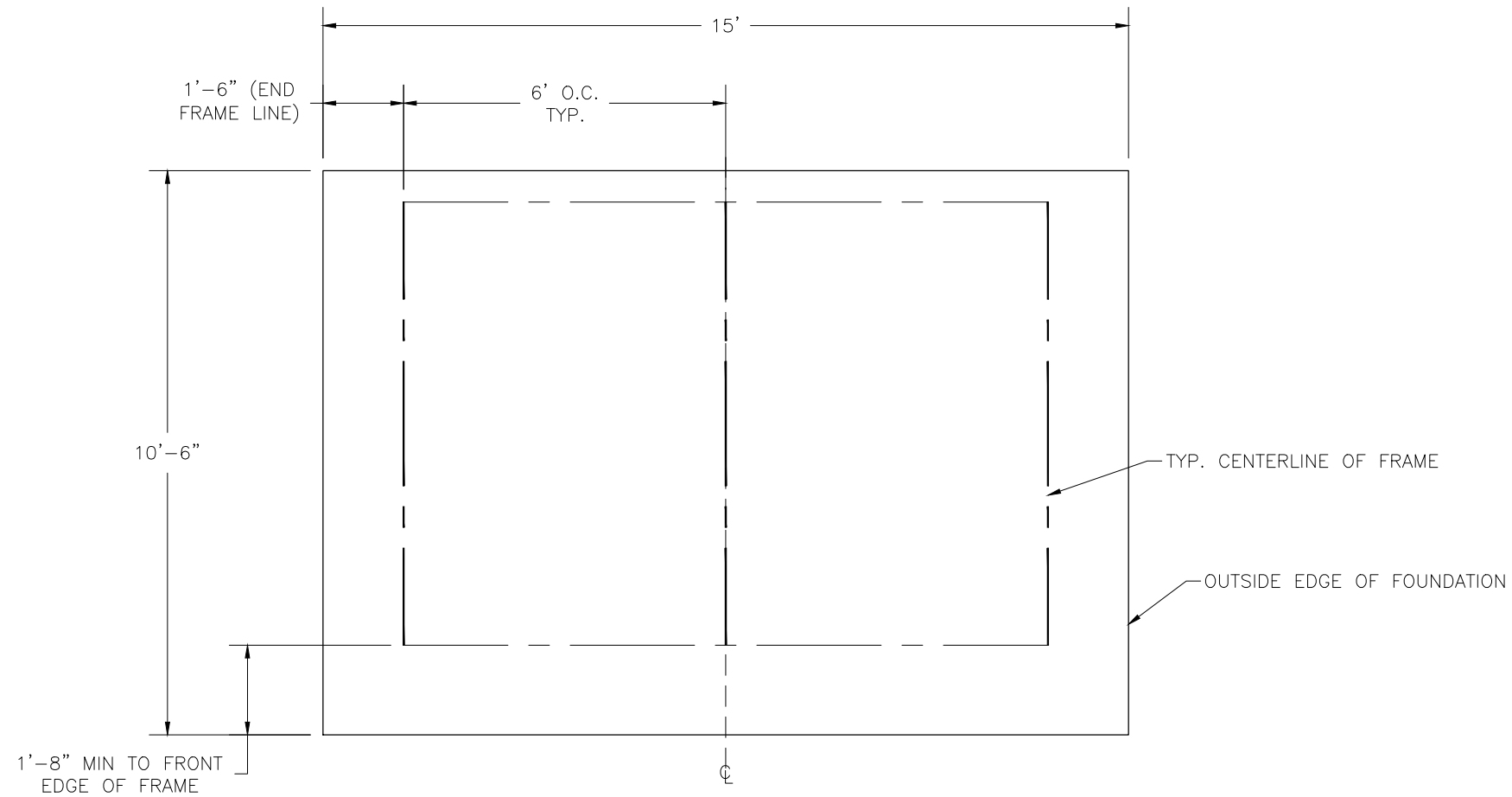
SECTION LENGTH	GROSS SEATS	ACTUAL SEATS	NO. OF ROWS	NET SEATS
15	10.00	10.00	5	50
				<b>NET SEATS 50</b>
				<b>WHEELCHAIR SPACES 0</b>
				<b>TOTAL NET SEATING CAPACITY 50</b>
				<b>(BASED ON 18" PER SEAT)</b>

This drawing and all information contained herein is the property of NATIONAL RECREATION SYSTEMS, INC. and is not to be reproduced without express written permission of this manufacturer. We assume no responsibility for unauthorized use of this drawing. National Recreation Systems, Inc. is not responsible for local permits and occupancy requirements.

## National Recreation Systems, Inc.

SCALE: N.T.S.	APPROVED BY:	DRAWN BY: IMP
DATE: 12/27/16		
TITLE: 5 ROW X 15'-0" BLEACHER SEATING PLAN		
BLEACHER MODEL #: NA-0515STD_CL	DRAWING NUMBER: TD.1	

**LOCATE FRAMES ON FOUNDATION**



\* MINIMUM FOUNDATION AREA SHOWN. DEPENDING ON LOCAL SOIL CONDITIONS, BLEACHER CAN BE INSTALLED ON A CONCRETE PAD OR FOOTERS, OR ATTACHED TO 2x6 TREATED LUMBER GROUND SILLS AND PLACED ON COMPACTED STONE, ASPHALT, OR ANY OTHER SMOOTH, SOLID, LEVEL SURFACE. CONSULT YOUR LOCAL CONCRETE CONTRACTOR TO DETERMINE PROPER CONCRETE SPECIFICATIONS FOR YOUR LOCAL SOIL AND WEATHER-RELATED CONDITIONS. THE BEARING SURFACE MUST BE CAPABLE OF SUPPORTING A MINIMUM OF 660 POUNDS PER LINEAR FOOT. TO MEET LOCAL CODES, BLEACHERS WILL NEED TO BE ANCHORED. ANCHORING SYSTEMS FOR ALL SURFACE TYPES ARE AVAILABLE - CONTACT YOUR BLEACHER SALES REPRESENTATIVE FOR MORE INFORMATION.

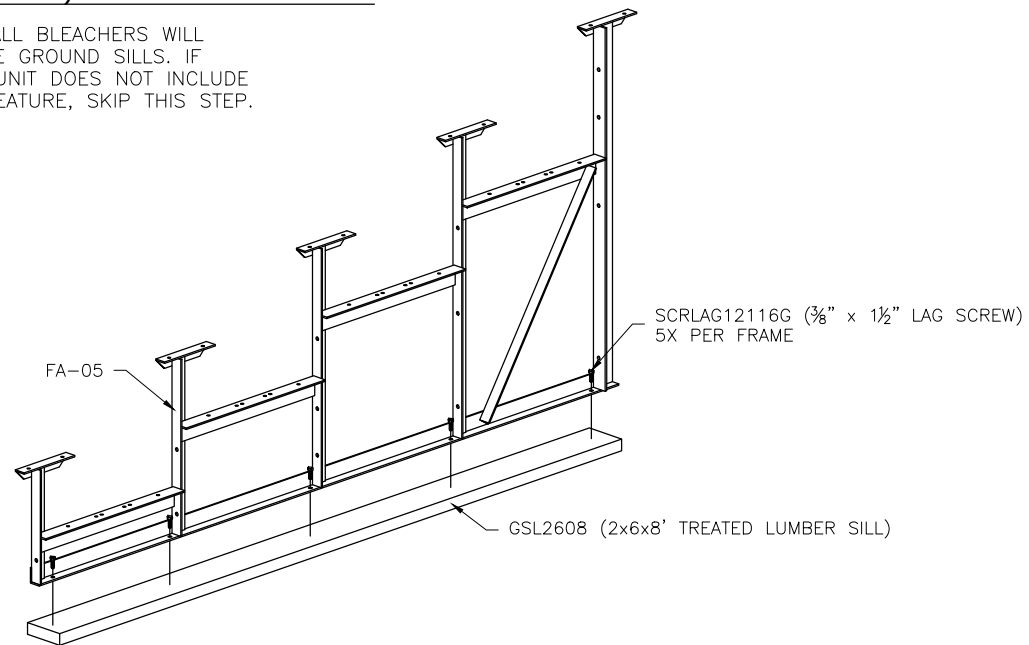
This drawing and all information contained herein is the property of NATIONAL RECREATION SYSTEMS, INC. and is not to be reproduced without express written permission of this manufacturer. We assume no responsibility for unauthorized use of this drawing. National Recreation Systems, Inc. is not responsible for local permits and occupancy requirements.

**National Recreation Systems, Inc.**

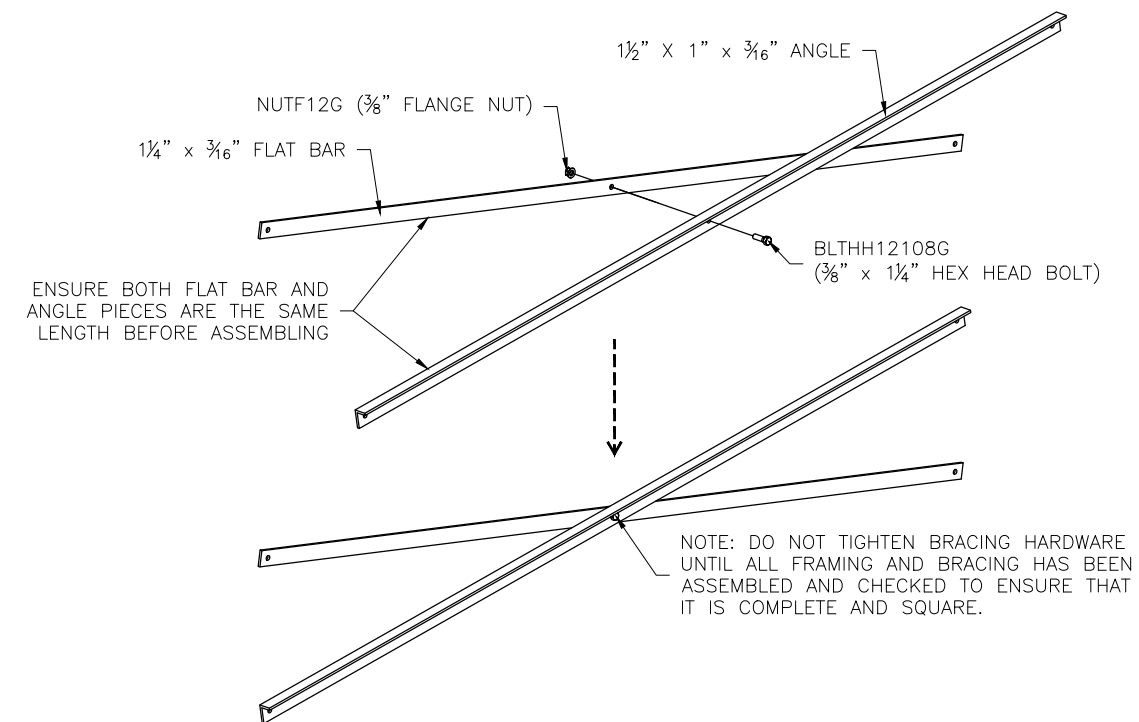
SCALE: N.T.S.	APPROVED BY:	DRAWN BY: IMP
DATE: 12/27/16		
TITLE: 5 ROW 15'-0" FOUNDATION PLAN		
BLEACHER MODEL #: NA-0515STD_CL	DRAWING NUMBER: FP.1	

**(OPTIONAL) ATTACH GROUND SILLS \***

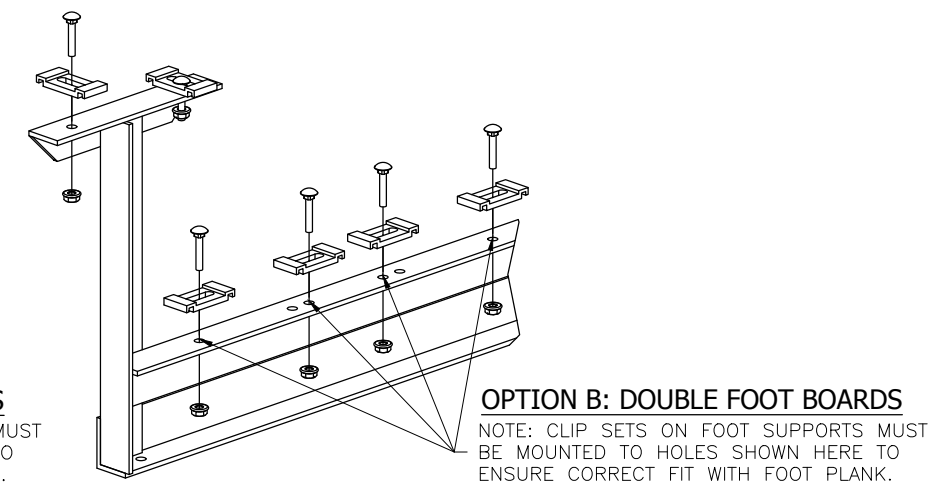
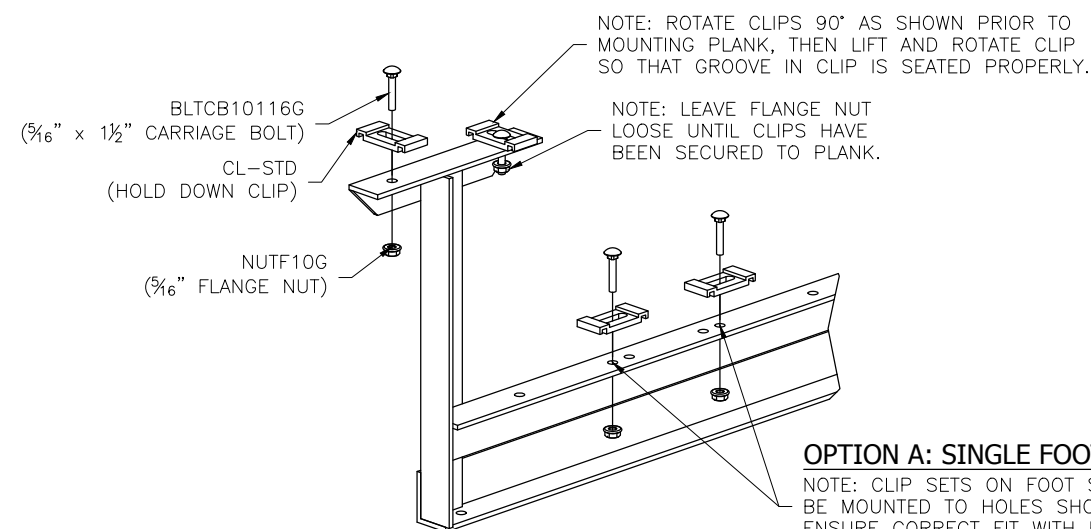
\*NOT ALL BLEACHERS WILL RECEIVE GROUND SILLS. IF YOUR UNIT DOES NOT INCLUDE THIS FEATURE, SKIP THIS STEP.



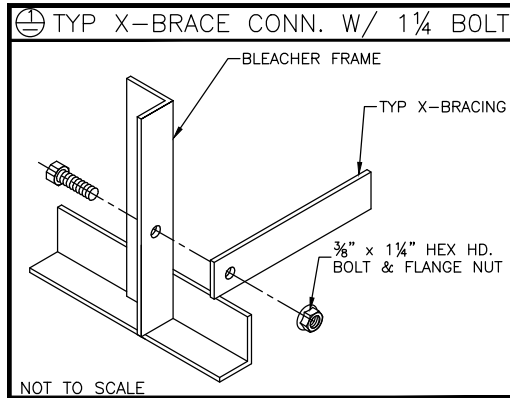
**PRE-ASSEMBLE X-BRACE PAIR(S)**



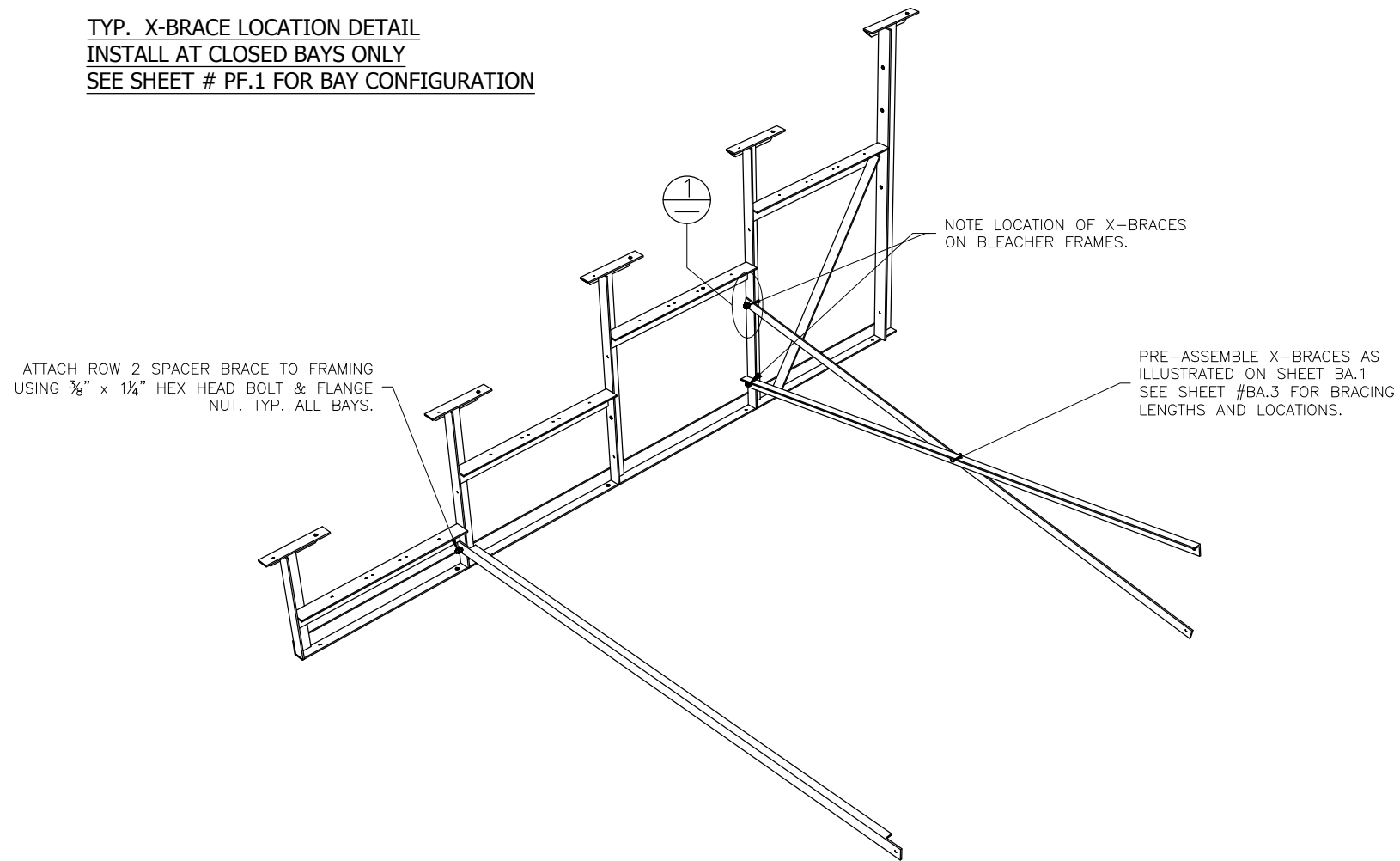
**ONCE FRAMING IS COMPLETE, PRE-ASSEMBLE CLIP SETS ON BLEACHER FRAMES**



<p>This drawing and all information contained herein is the property of NATIONAL RECREATION SYSTEMS, INC. and is not to be reproduced without express written permission of this manufacturer. We assume no responsibility for unauthorized use of this drawing. National Recreation Systems, Inc. is not responsible for local permits and occupancy requirements.</p>			
<p><b>National Recreation Systems, Inc.</b></p>			
SCALE:	N.T.S.	APPROVED BY:	
DATE:	12/27/16		DRAWN BY: IMP
TITLE:	5 ROW X 15'-0" FRAMING & CLIP SET PREPARATION		
BLEACHER MODEL #:	NA-0515STD_CL	DRAWING NUMBER:	BA.1



TYP. X-BRACE LOCATION DETAIL  
INSTALL AT CLOSED BAYS ONLY  
SEE SHEET # PF.1 FOR BAY CONFIGURATION

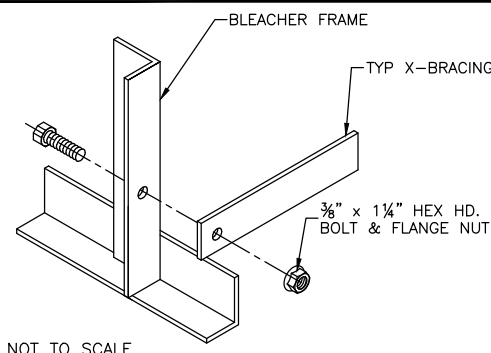


This drawing and all information contained herein is the property of NATIONAL RECREATION SYSTEMS, INC. and is not to be reproduced without express written permission of this manufacturer. We assume no responsibility for unauthorized use of this drawing. National Recreation Systems, Inc. is not responsible for local permits and occupancy requirements.

**National Recreation Systems, Inc.**

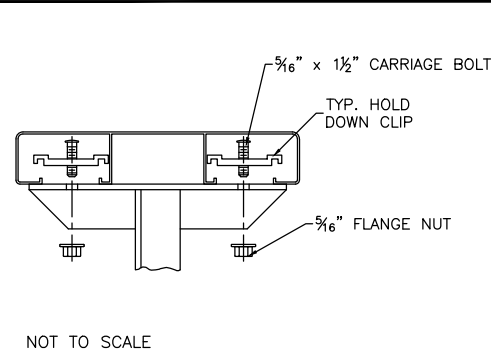
SCALE: N.T.S.	APPROVED BY:	DRAWN BY: IMP
DATE: 12/27/16		
TITLE: 5 ROW X 15'-0" BLEACHER BRACING LOCATION		
BLEACHER MODEL #: NA-0515STD_CL	DRAWING NUMBER: BA.2	

⊖ TYP X-BRACE CONN. W/ 1/4 BOLT



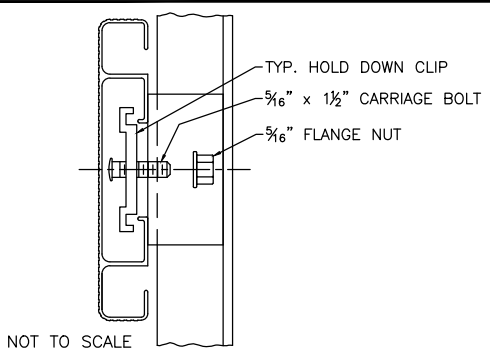
NOT TO SCALE

⊖ TYP 2x10 PLANK ATTACHMENT

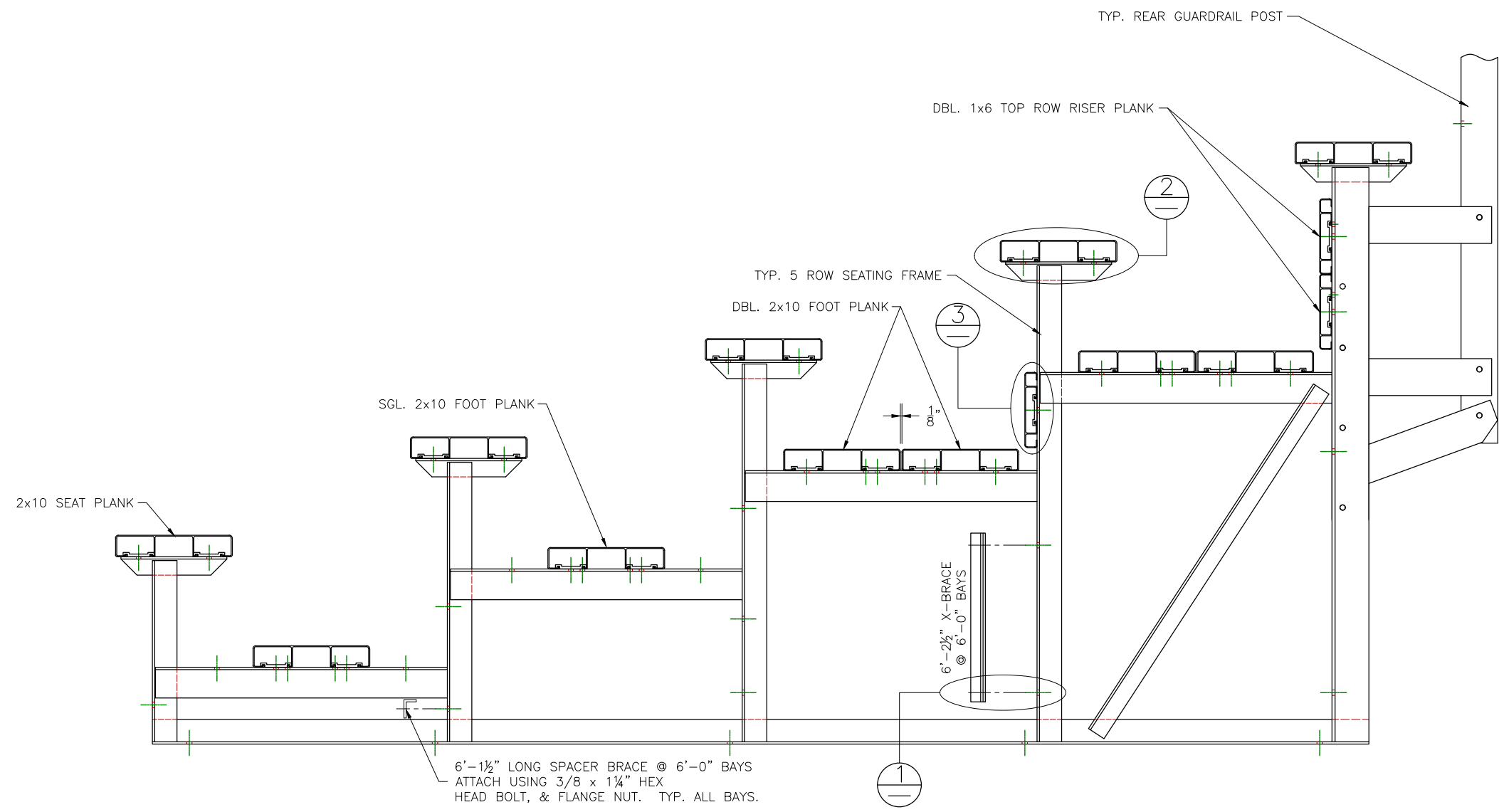


NOT TO SCALE

⊖ TYP 1x6 PLANK ATTACHMENT



NOT TO SCALE

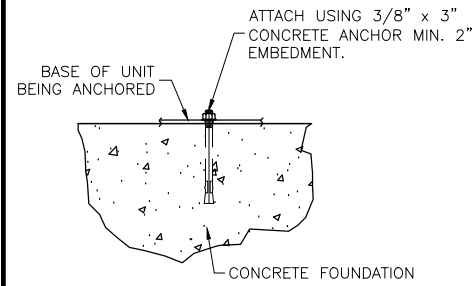


This drawing and all information contained herein is the property of NATIONAL RECREATION SYSTEMS, INC. and is not to be reproduced without express written permission of this manufacturer. We assume no responsibility for unauthorized use of this drawing. National Recreation Systems, Inc. is not responsible for local permits and occupancy requirements.

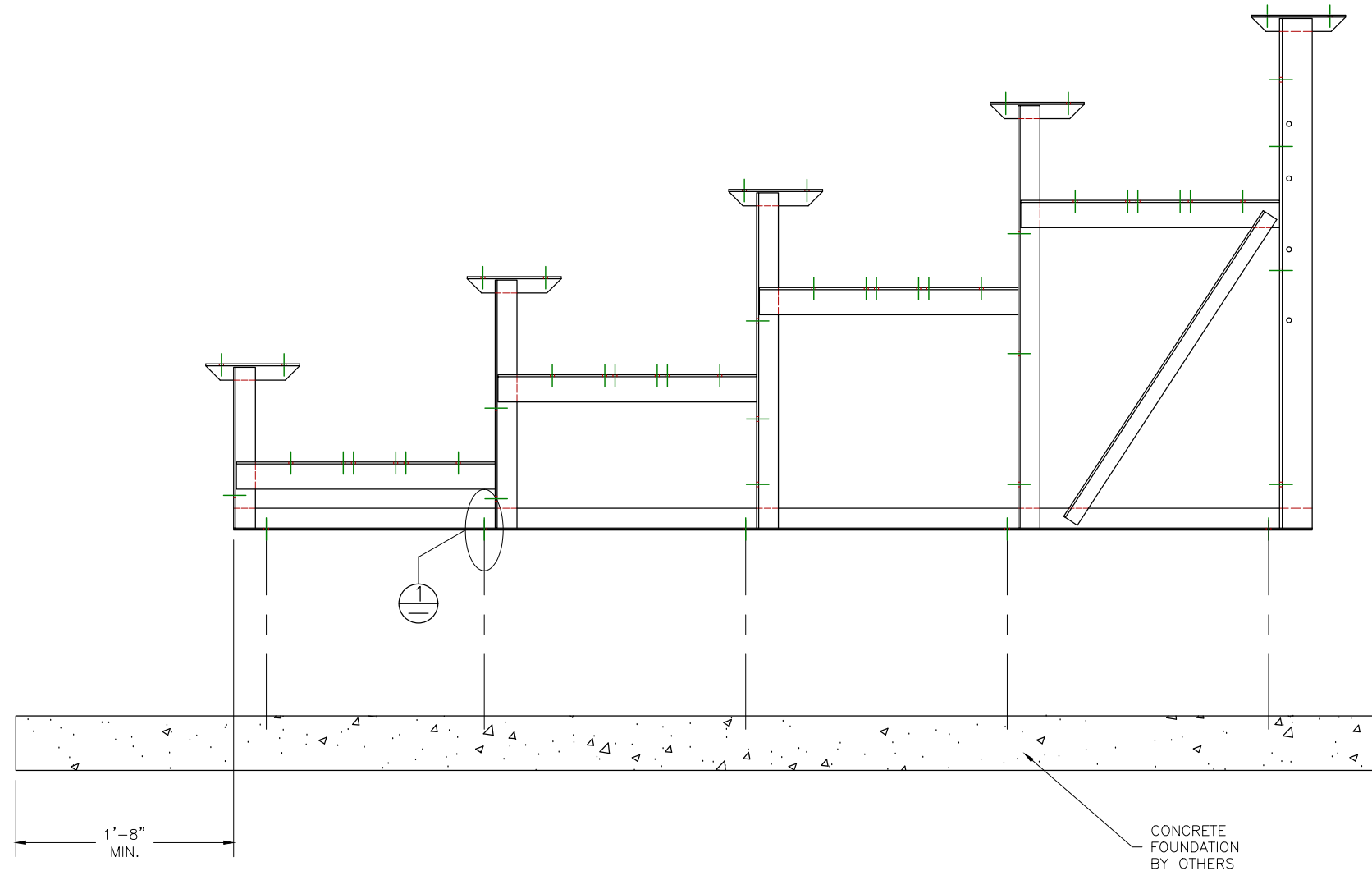
**National Recreation Systems, Inc.**

SCALE: N.T.S.	APPROVED BY:	DRAWN BY: IMP
DATE: 12/27/16		
TITLE: 5 ROW X 15'-0" BLEACHER ASSEMBLY		
BLEACHER MODEL #: NA-0515STD_CL	DRAWING NUMBER: BA.3	

⊕ WEDGE ANCHOR DETAIL - 3"



(OPTIONAL) ANCHOR BLEACHER TO CONCRETE FOUNDATION \*



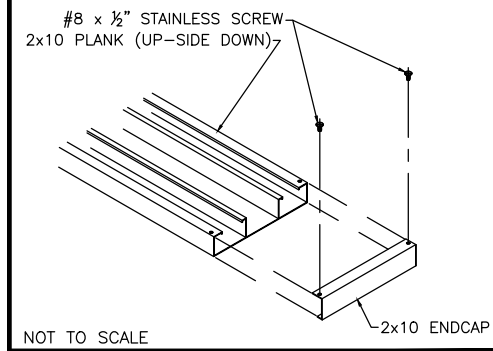
\* CONCRETE WEDGE ANCHORS NOT INCLUDED WITH ALL UNITS. IF USING OTHER ANCHORING SYSTEM, SKIP THIS STEP AND REFER TO INSTRUCTIONS SPECIFIC TO THE ANCHORING SYSTEM PURCHASED FOR YOUR UNIT. SEE PRINT FP.1 (INCLUDED IN THIS PACKET) FOR GENERAL CONCRETE FOUNDATION SPECIFICATIONS.

This drawing and all information contained herein is the property of NATIONAL RECREATION SYSTEMS, INC. and is not to be reproduced without express written permission of this manufacturer. We assume no responsibility for unauthorized use of this drawing. National Recreation Systems, Inc. is not responsible for local permits and occupancy requirements.

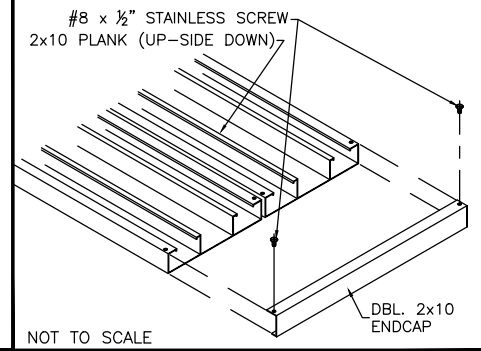
**National Recreation Systems, Inc.**

SCALE: N.T.S.	APPROVED BY:	DRAWN BY: IMP
DATE: 12/27/16		
TITLE: 5 ROW X 15'-0" ANCHORING PLAN		
BLEACHER MODEL #: NA-0515STD_CL	DRAWING NUMBER: AP.1	

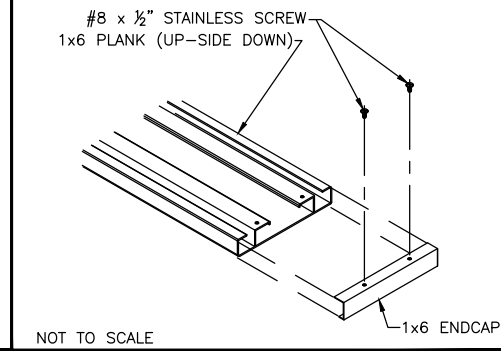
⊕ TYP 2x10 ENDCAP ATTACHMENT



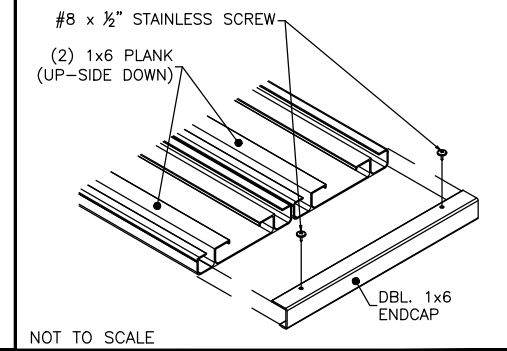
⊖ DBL. 2x10 ENDCAP ATTACHMENT



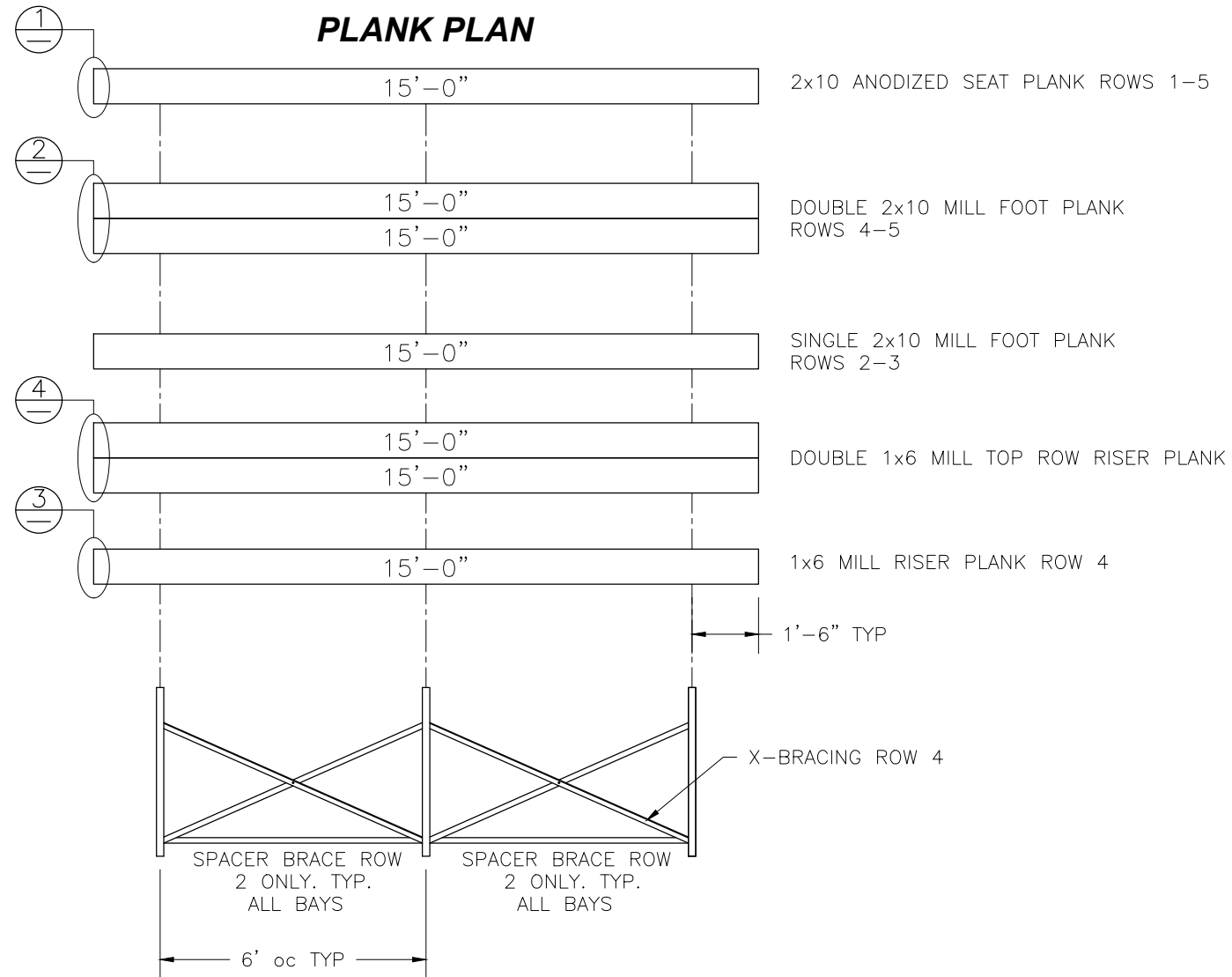
⊕ TYP 1x6 ENDCAP ATTACHMENT



⊖ DBL. 1x6 ENDCAP ATTACHMENT



**PLANK PLAN**



**FRAMING PLAN**

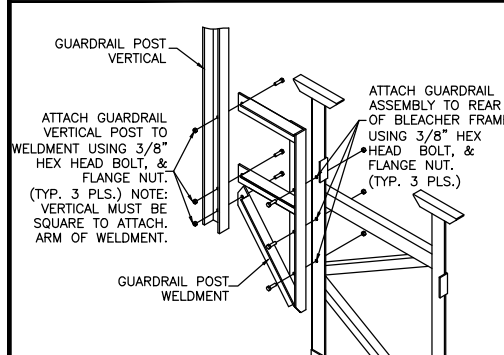
This drawing and all information contained herein is the property of NATIONAL RECREATION SYSTEMS, INC. and is not to be reproduced without express written permission of this manufacturer. We assume no responsibility for unauthorized use of this drawing. National Recreation Systems, Inc. is not responsible for local permits and occupancy requirements.

**National Recreation Systems, Inc.**

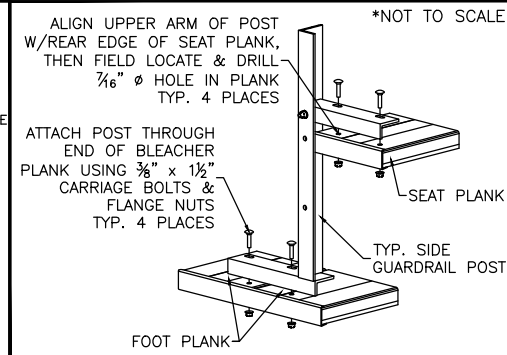
SCALE: N.T.S.	APPROVED BY:	DRAWN BY: IMP
DATE: 12/27/16		
TITLE: 5 ROW 15'-0" PLANK & FRAMING PLAN		
BLEACHER MODEL #: NA-0515STD_CL	DRAWING NUMBER: PF.1	



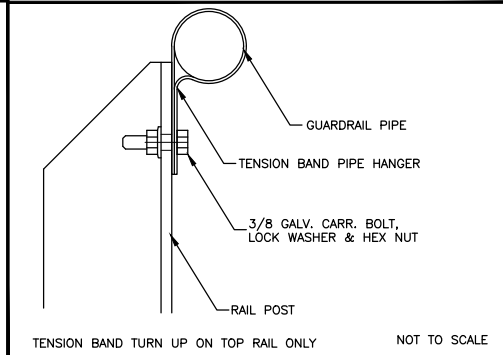
REAR GUARDRAIL POST ATTACH.



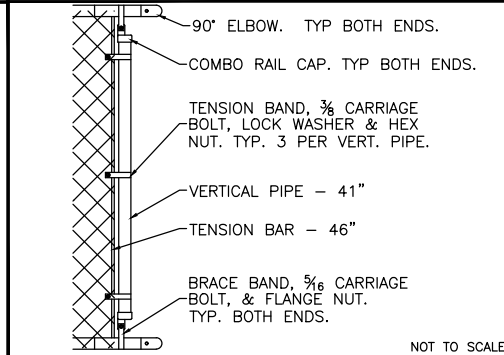
SIDE GD. RAIL POST INSTALLATION



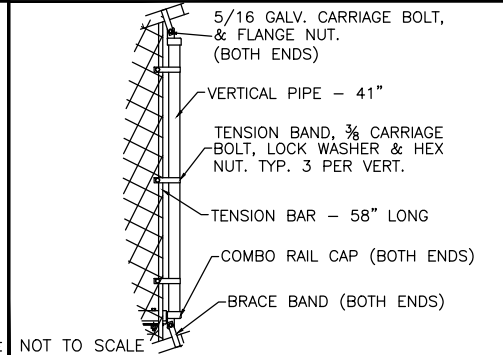
TENSION BAND ATTACHMENT



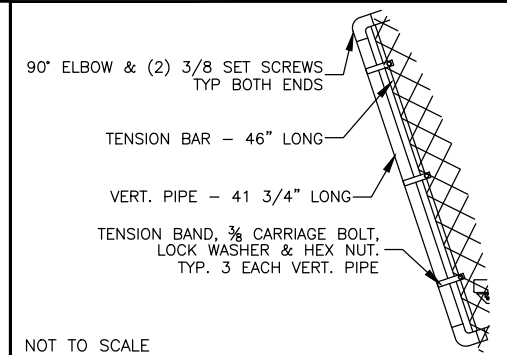
VERT. PIPE DETAIL-REAR, TOP



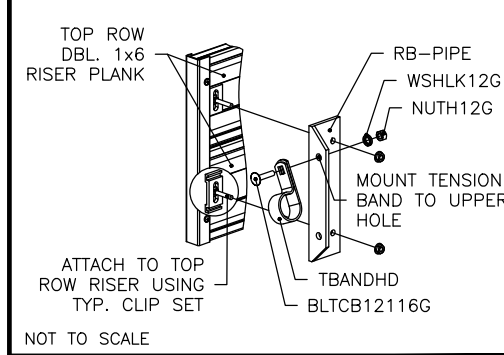
VERT. PIPE DETAIL (SIDE, TOP)



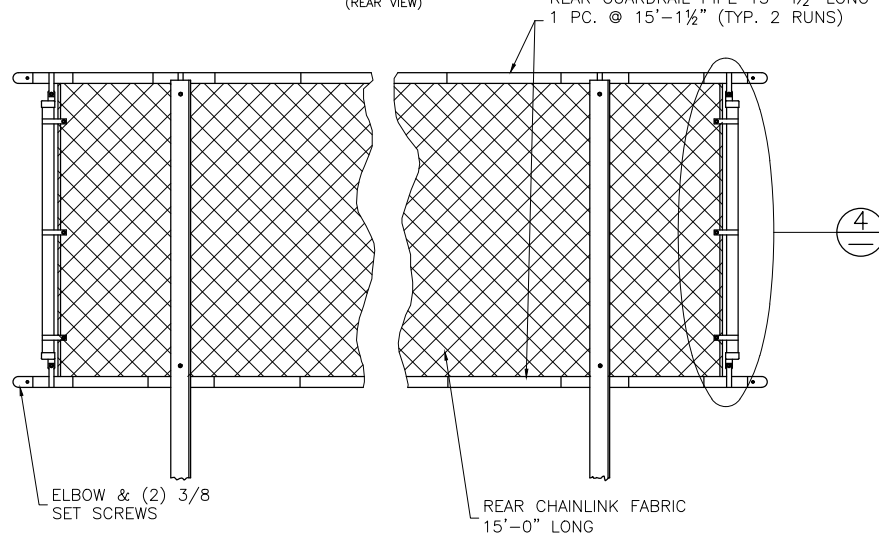
VERT. PIPE DETAIL (NE-SIDE, BOT.)



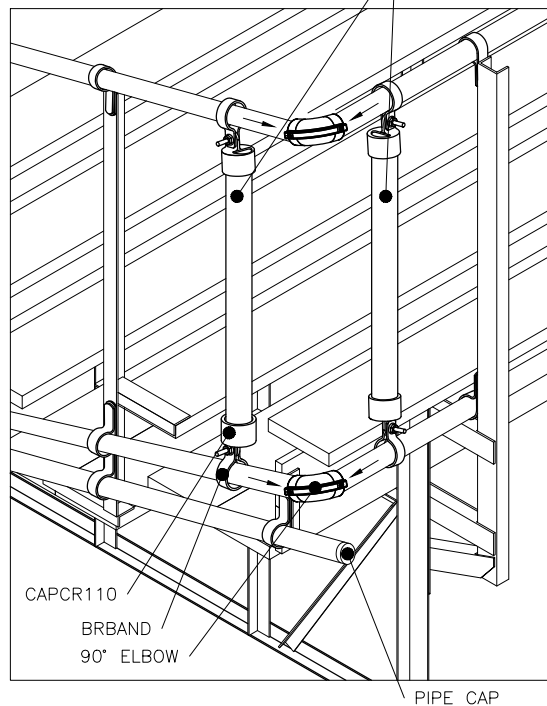
LOWER PIPE BRACKET ATTACH.



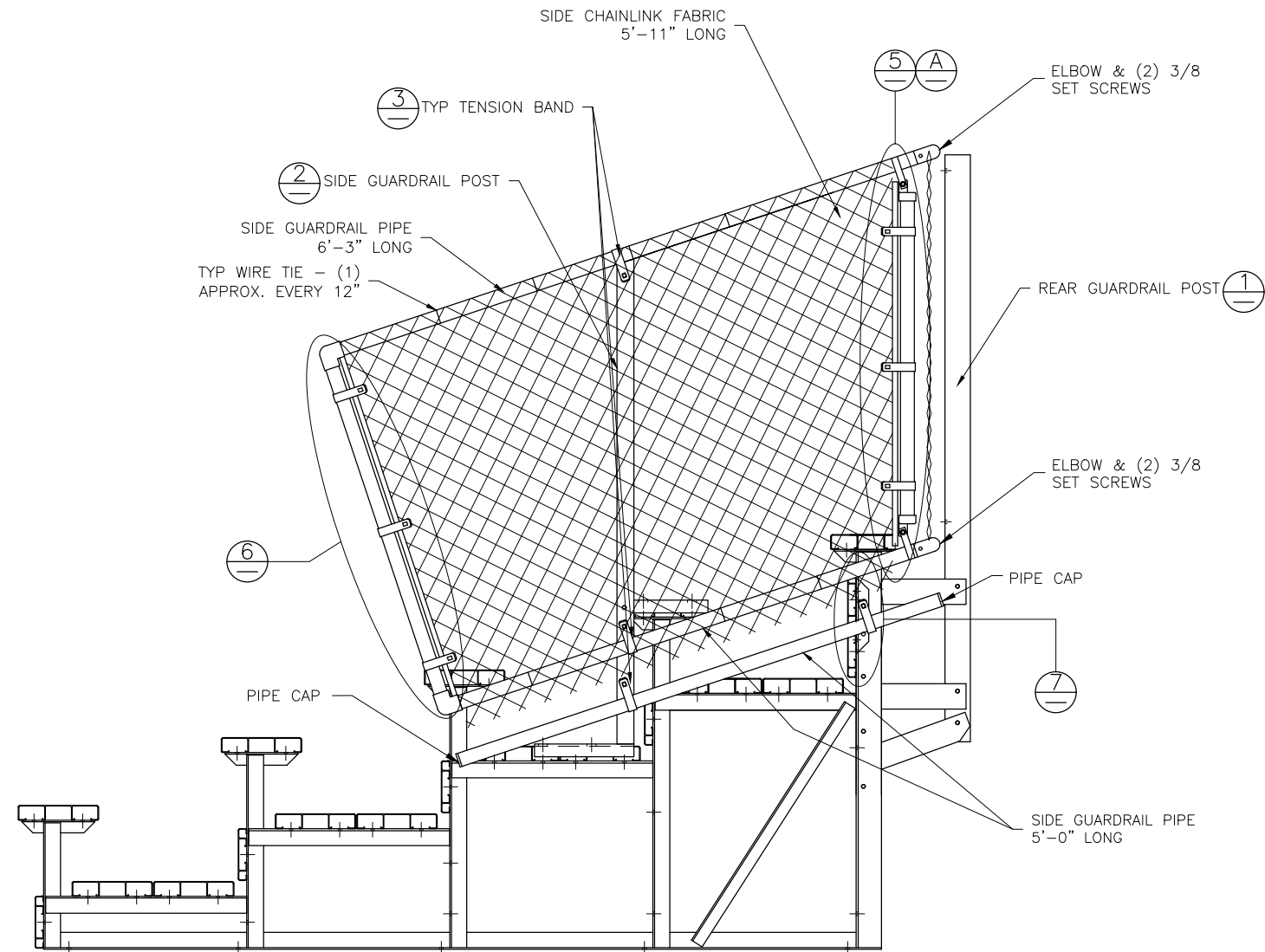
REAR GUARDRAIL (REAR VIEW)



BRING VERTICAL MEMBERS TOGETHER TO CLOSE GAP TO LESS THAN 4"



DETAIL "A" - REAR CORNER GUARDRAIL ASSEMBLY



This drawing and all information contained herein is the property of NATIONAL RECREATION SYSTEMS, INC. and is not to be reproduced without express written permission of this manufacturer. We assume no responsibility for unauthorized use of this drawing. National Recreation Systems, Inc. is not responsible for local permits and occupancy requirements.

National Recreation Systems, Inc.

SCALE: N.T.S.	APPROVED BY:	DRAWN BY: IMP
DATE: 12/27/16		
TITLE: 5 ROW X 15'-0" GUARD RAIL ASSEMBLY		
BLEACHER MODEL #: NA-0515STD_CL	DRAWING NUMBER: GR.1	