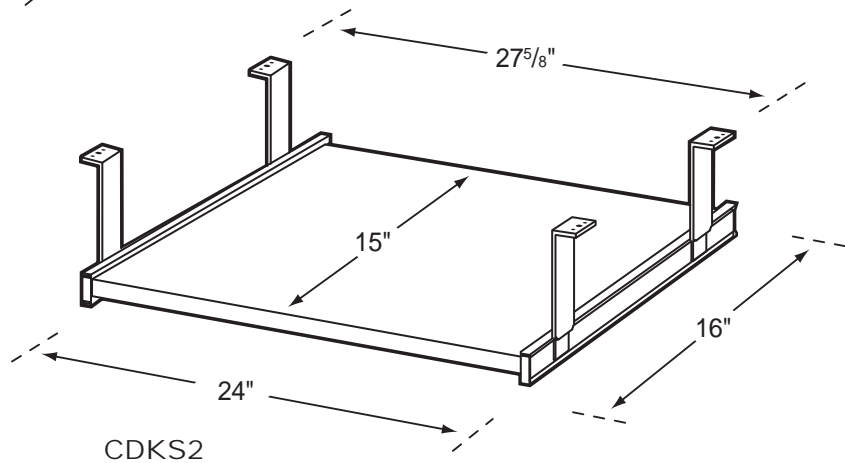
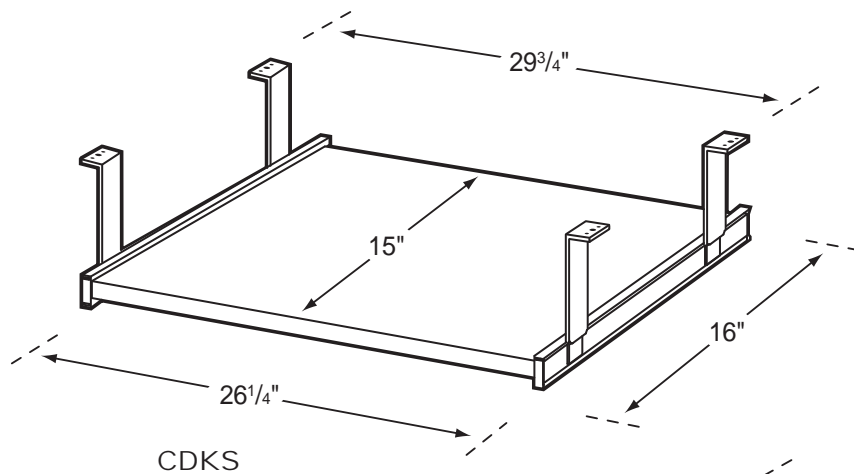


# CDKS/CDKS-2

## Keyboard Shelf



### Product Specs

- 3/4" thermal fused laminate
- Matched edge banding
- Top mount full extension steel slide