

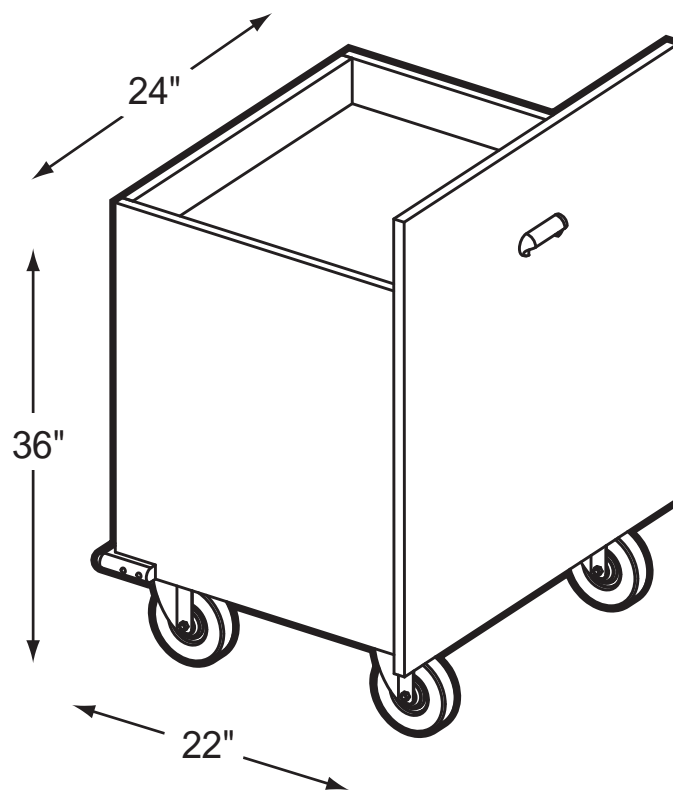


**IRONWOOD**  
MANUFACTURING

LIBRARY 3000

**3108**

**Depressible  
Book Truck**



**Product Specs**

- 3/4" thermal fused laminate
- 3mm oak edge banding
- Fully welded unitized bottom frame
- 10 ga. angle iron
- 5/16" caster mounting plates
- 5" casters (2 locking)

0708

Ironwood Manufacturing • P.O. Box 1420 • Missoula, Montana 59806  
(406) 721-4747 • (800) 769-5693 • fax (406) 721-8424 • [www.ironwoodmfg.com](http://www.ironwoodmfg.com)