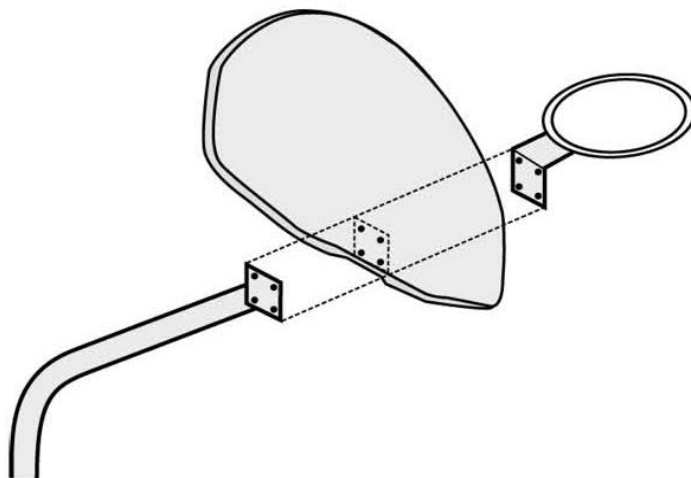
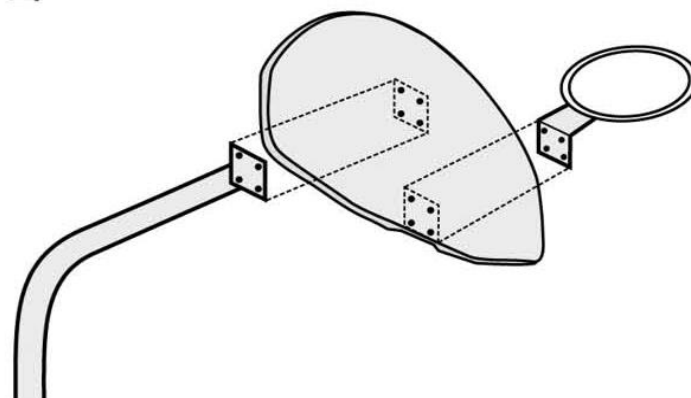


## SportsPlay™ Super Strong Goal to Post Mounting System

1.



2.



1. The **right** way to mount a backboard.

The goal and backboard are bolted together directly to the post forming a solid unit. All forces of “slam dunking” are safely absorbed by the heavy steel post, not the back board.

2. The **wrong** way to mount a backboard by others

The goal is mounted only to the backboard and is not supported by the post. The force of “slam dunking” must be resisted by the backboard alone, which can easily bend and shatter.