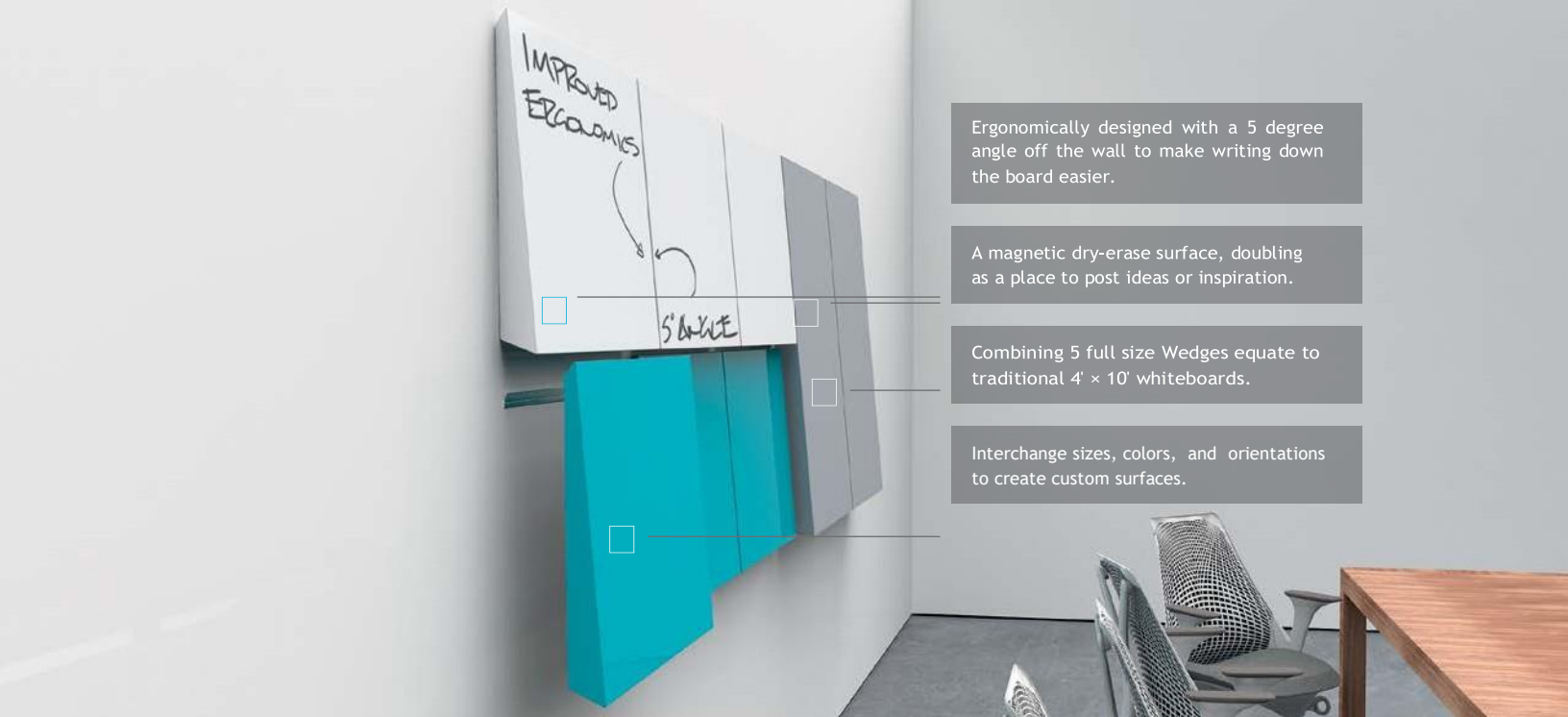


L I N K

W E D G E

Ergonomic, Configurable, Dynamic





Ergonomically designed with a 5 degree angle off the wall to make writing down the board easier.

A magnetic dry-erase surface, doubling as a place to post ideas or inspiration.

Combining 5 full size Wedges equate to traditional 4' x 10' whiteboards.

Interchange sizes, colors, and orientations to create custom surfaces.

LINK WEDGE

Conference rooms don't have to be boring; enter LINK Wedge. Designed specifically to be magnetic, ergonomic and configurable. The simple cleat-hanging system makes it easy to configure a design all on your own. Get creative with the layout by using the small and large sizes next to each other to create dynamic and functional artwork. Available in two sizes and seven standard colors. Custom colors also available.

Size and Color Availability

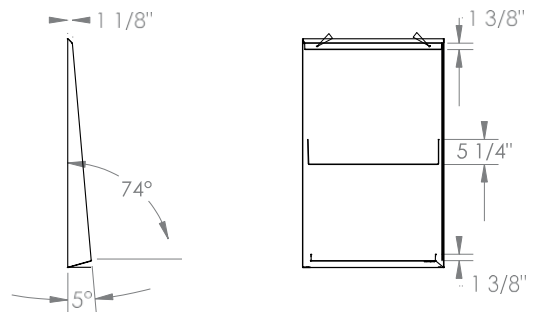
Item No.	Description	Wedge Color
Half Size 24" x 30"		
LW2430BB	LINK Wedge 24" x 30"	●
LW2430GY	LINK Wedge 24" x 30"	●
LW2430WH	LINK Wedge 24" x 30"	○
LW2430SB	LINK Wedge 24" x 30"	●
LW2430GN	LINK Wedge 24" x 30"	●
LW2430RS	LINK Wedge 24" x 30"	●
LW2430MR	LINK Wedge 24" x 30"	●
Full Size 48" x 30"		
LW4830BB	LINK Wedge 48" x 30"	●
LW4830GY	LINK Wedge 48" x 30"	●
LW4830WH	LINK Wedge 48" x 30"	○
LW4830SB	LINK Wedge 48" x 30"	●
LW4830GN	LINK Wedge 48" x 30"	●
LW4830RS	LINK Wedge 48" x 30"	●
LW4830MR	LINK Wedge 48" x 30"	●

*Custom colors available

A Product Designed for Versatility

LINK Wedge can be hung with the angle side or the flat side pointing upwards, giving you even more creative freedom.

The perfectly modular Wedge boards are easy to install with our simple cleat-hanging system and installation guide.



Available Colors

