

LINK Hex

Mounting Instructions



Your LINK Hex is designed for mounting to a variety of wall surfaces. Because of the wide variation of mounting surface construction, specific mounting hardware is included. For the most secure mounting, fasten the Hex wall mount to as many wall studs as possible. Ghent recommends using #8 pan head type self-tapping screws with #8 washers. When wall studs cannot be used, we recommend using expandable type wall anchors.

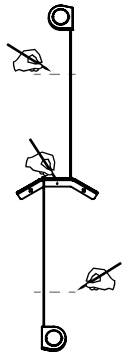
Installation involves securing a cluster of wall mounts to a wall, each with 2 screws.

STEP 1: Decide which orientation you wish to hang the Hex, horizontal or vertical. Decide the size of gap you want between the boards.

STEP 2: On the wall, determine the mounting height of your center Hex (Hex 1 on pg. 4 & 5 diagrams) using one of the Hex hangers. Temporarily fasten the hanger to the wall with the included thumb tack. Level out the hanger and secure it to the wall with two screws. (Mounting holes are oversized to allow for alignment adjustment. Fasten screws through the center of the mounting hole.)

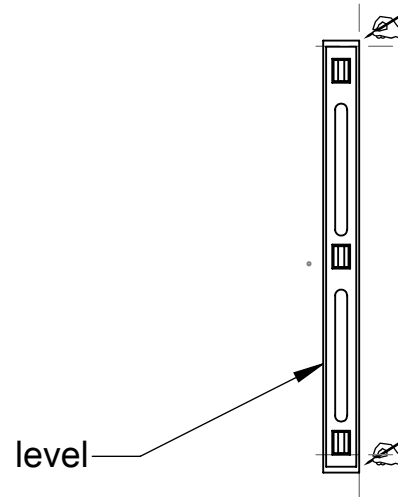
Note: You will locate the mounting position of the remaining units by using the measuring slot and center view finder of the previously mounted hanger.

STEP 3



To mount Hex 2 and Hex 3, find the vertical position of the Hex above and below and mark the position. Ghent recommends the use of a pencil so that marks can be erased. (locations can be found in the measurements table.) Mark the vertical center line of Hex hanger 1.

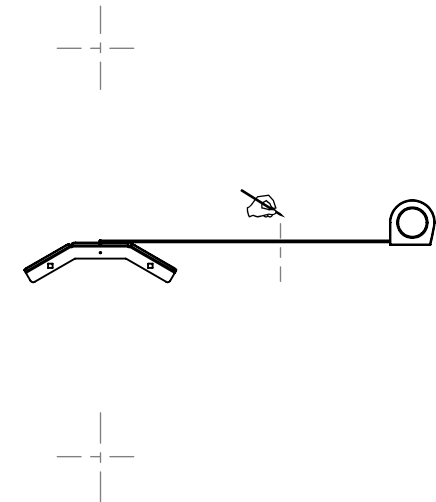
STEP 4



Remove Hex hanger 1. Using a 4' level aligned with the center mark of Hex 1, mark a vertical and horizontal line across the intersections of your vertical and horizontal hex.

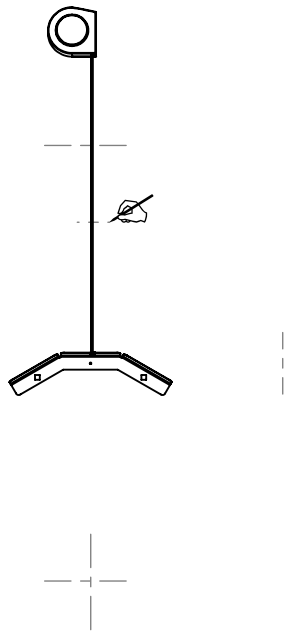
Note: The remaining units should be installed in sequential order.

STEP 5



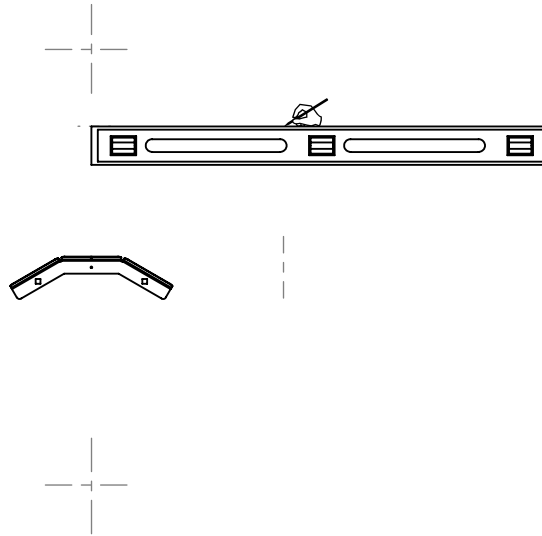
Re-secure Hex hanger 1 to the wall. Using the measuring slot, locate the horizontal location of your next Hex hanger. Mark this point.

STEP 6



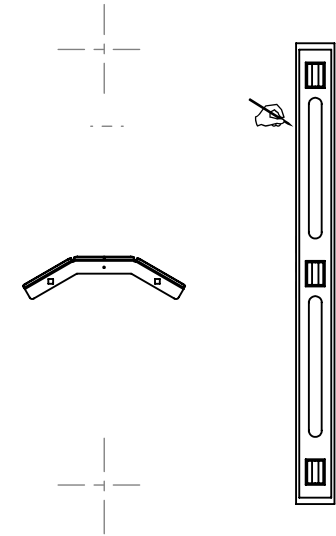
Use the top lip of Hex hanger 1 to find the vertical position of your next Hex hanger. Mark this point.

STEP 7



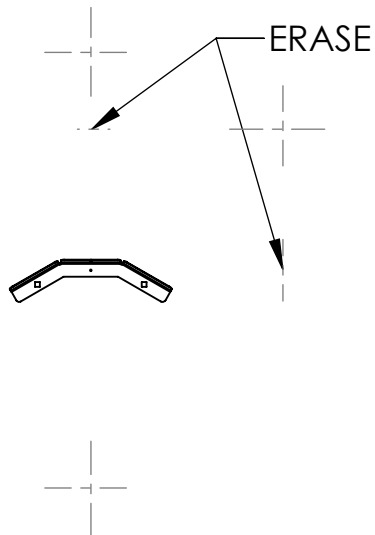
Use your level to scribe a mark in alignment with your horizontal mark.

STEP 8



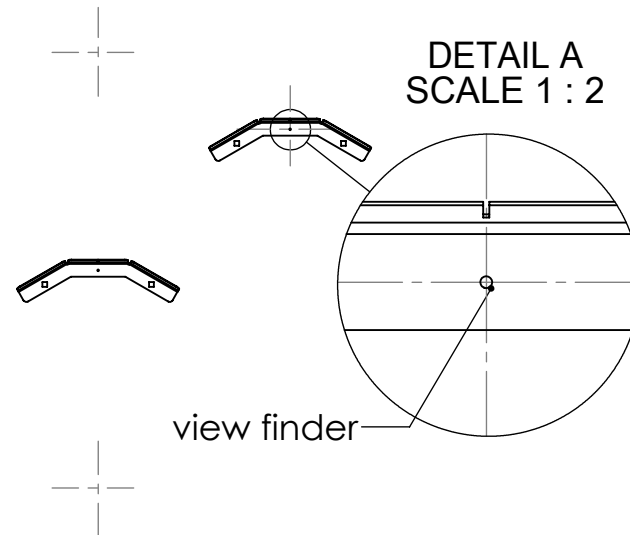
Use the level to mark the intersection of your two points.

STEP 9



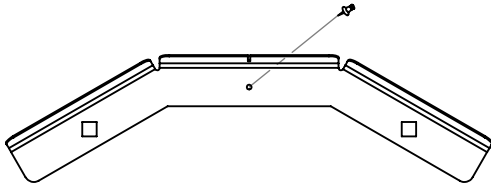
Remove your first two marks.

STEP 10



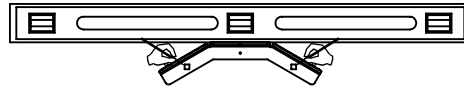
Align the intersection into the middle of your center view finder.

STEP 11



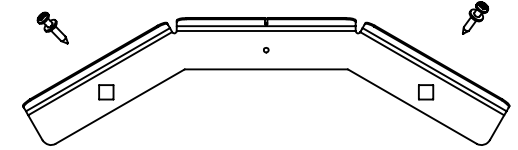
Place a thumb tack into the top of the center view finder.

STEP 12



Level out the Hex hanger and mark the center of your mounting holes.

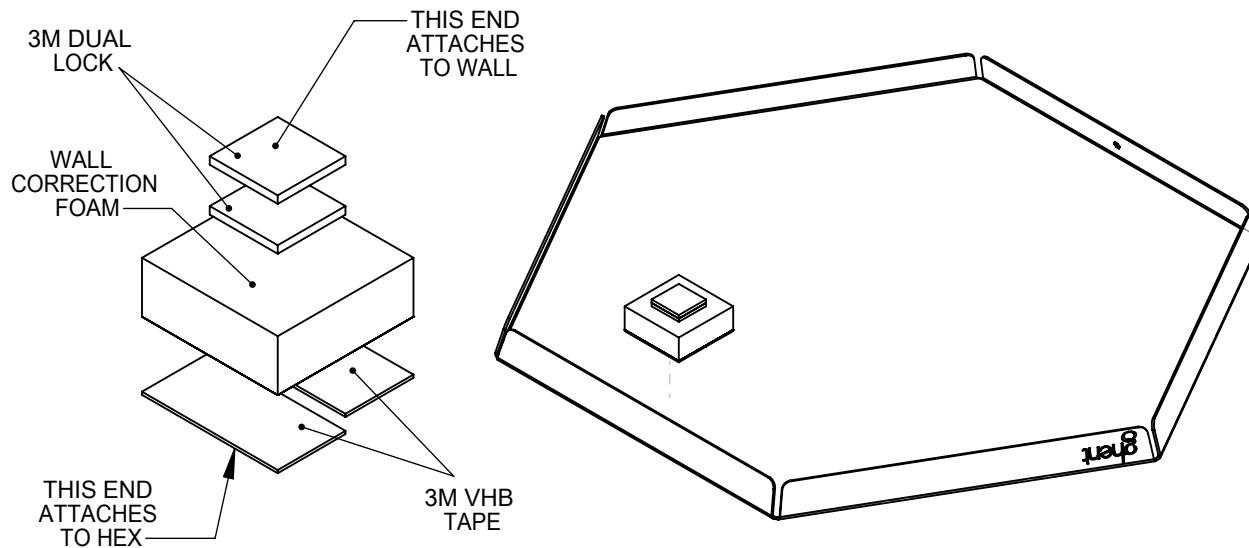
STEP 13



Fasten two screws in through the Hex hanger via the mounting holes.

Note: The mounting holes are square to allow for the maximum amount of adjustment.

Note: Repeat steps 5-13 for the remaining Hex hangers.

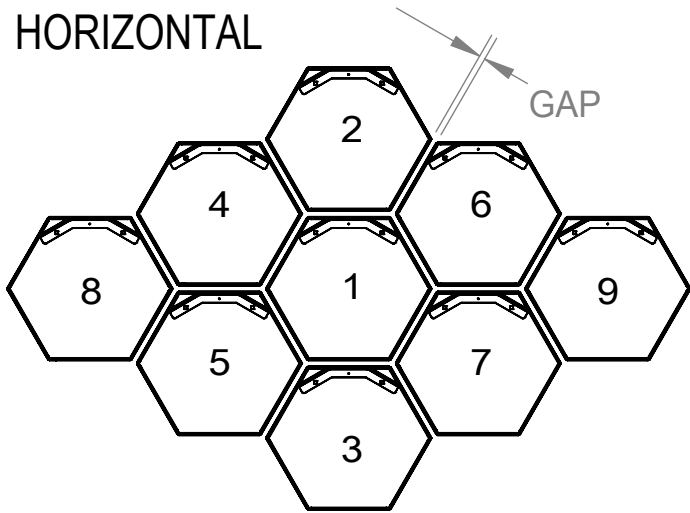


Wall Correction Device:

If your wall is not flat, and is pushing out the bottom of your Hex, we have included a wall correction device. To install this, simply remove the tape cover on both sides of the foam. Attach the foam to the bottom edge on the back of the Hex, then attach the foam to the wall. This will correct any wall defects.

(NOTE: This is a permanent solution and should only be applied when Hex installation is complete.)

HORIZONTAL



0" GAP	HORIZONTAL	VERTICAL
HEX 2	0"	17-5/16"
HEX 3	0"	18-13/16"
HEX 4	15-1/2"	8-3/8"
HEX 5	15-1/2"	9-7/8"
HEX 6	15-1/2"	8-3/8"
HEX 7	15-1/2"	9-7/8"
HEX 8	31"	0"
HEX 9	31"	0"

1/2" GAP	HORIZONTAL	VERTICAL
HEX 2	0"	17-13/16"
HEX 3	0"	19-5/16"
HEX 4	15-15/16"	8-5/8"
HEX 5	15-15/16"	9-7/8"
HEX 6	15-15/16"	8-5/8"
HEX 7	15-15/16"	9-7/8"
HEX 8	31-13/16"	0"
HEX 9	31-13/16"	0"

3/4" GAP	HORIZONTAL	VERTICAL
HEX 2	0"	18-1/16"
HEX 3	0"	19-9/16"
HEX 4	16-1/8"	8-3/4"
HEX 5	16-1/8"	10-1/4"
HEX 6	16-1/8"	8-3/4"
HEX 7	16-1/8"	10-1/4"
HEX 8	32-1/4"	0"
HEX 9	32-1/4"	0"

1" GAP	HORIZONTAL	VERTICAL
HEX 2	0"	18-5/16"
HEX 3	0"	19-13/16"
HEX 4	16-3/8"	8-7/8"
HEX 5	16-3/8"	10-3/8"
HEX 6	16-3/8"	8-7/8"
HEX 7	16-3/8"	10-3/8"
HEX 8	32-11-1/6"	0"
HEX 9	32-11-1/6"	0"

1-1/4" GAP	HORIZONTAL	VERTICAL
HEX 2	0"	18-9/16"
HEX 3	0"	20-1/16"
HEX 4	16-9/16"	9"
HEX 5	16-9/16"	10-1/2"
HEX 6	16-9/16"	9"
HEX 7	16-9/16"	10-1/2"
HEX 8	33-1/8"	0"
HEX 9	33-1/8"	0"

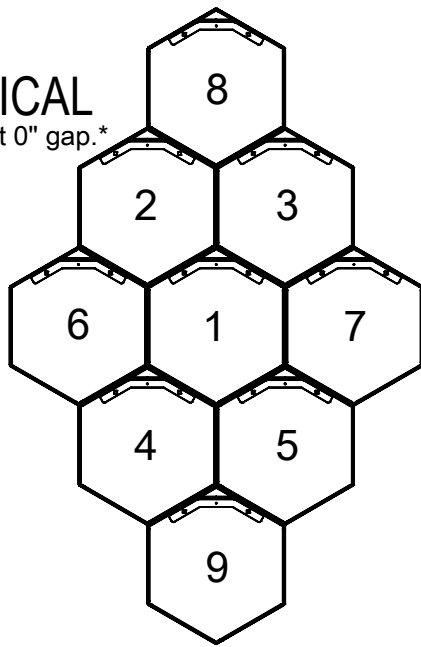
1-1/2" GAP	HORIZONTAL	VERTICAL
HEX 2	0"	18-13/16"
HEX 3	0"	20-5/16"
HEX 4	16-13/16"	9-1/8"
HEX 5	16-13/16"	10-5/8"
HEX 6	16-13/16"	9-1/8"
HEX 7	16-13/16"	10-5/8"
HEX 8	33-9/16"	0"
HEX 9	33-9/16"	0"

2" GAP	HORIZONTAL	VERTICAL
HEX 2	0"	19-5/16"
HEX 3	0"	20-13/16"
HEX 4	17-1/4"	9-3/8"
HEX 5	17-1/4"	10-7/8"
HEX 6	17-1/4"	9-3/8"
HEX 7	17-1/4"	10-7/8"
HEX 8	34-3/8"	0"
HEX 9	34-3/8"	0"

2-1/2" GAP	HORIZONTAL	VERTICAL
HEX 2	0"	19-13/16"
HEX 3	0"	21-5/16"
HEX 4	17-11/16"	9-5/8"
HEX 5	17-11/16"	11/18"
HEX 6	17-11/16"	9-5/8"
HEX 7	17-11/16"	11/18"
HEX 8	35-1/4"	0"
HEX 9	35-1/4"	0"

VERTICAL

Shown at 0" gap.



0" GAP	HORIZONTAL	VERTICAL
HEX 2	8-15/16"	14-15/16"
HEX 3	8-15/16"	14-15/16"
HEX 4	8-15/16"	16-7/16"
HEX 5	8-15/16"	16-7/16"
HEX 6	17-7/8"	0"
HEX 7	17-7/8"	0"
HEX 8	0"	30-7/16"
HEX 9	0"	31-15/16"

1/2" GAP	HORIZONTAL	VERTICAL
HEX 2	9-3/16"	15-3/8"
HEX 3	9-3/16"	15-3/8"
HEX 4	9-3/16"	16-7/8"
HEX 5	9-3/16"	16-7/8"
HEX 6	18-3/8"	0"
HEX 7	18-3/8"	0"
HEX 8	0"	31-1/4"
HEX 9	0"	32-3/4"

3/4" GAP	HORIZONTAL	VERTICAL
HEX 2	9-15/16"	15-5/8"
HEX 3	9-15/16"	15-5/8"
HEX 4	9-15/16"	17-1/8"
HEX 5	9-15/16"	17-1/8"
HEX 6	18-5/8"	0"
HEX 7	18-5/8"	0"
HEX 8	0"	31-11/16"
HEX 9	0"	33-3/16"

1" GAP	HORIZONTAL	VERTICAL
HEX 2	9-7/16"	15-7/8"
HEX 3	9-7/16"	15-7/8"
HEX 4	9-7/16"	17-3/8"
HEX 5	9-7/16"	17-3/8"
HEX 6	18-7/8"	0"
HEX 7	18-7/8"	0"
HEX 8	0"	32-1/8"
HEX 9	0"	33-5/8"

1-1/4" GAP	HORIZONTAL	VERTICAL
HEX 2	9-9/16"	16-1/8"
HEX 3	9-9/16"	16-1/8"
HEX 4	9-9/16"	17-5/8"
HEX 5	9-9/16"	17-5/8"
HEX 6	19-1/8"	0"
HEX 7	19-1/8"	0"
HEX 8	0"	32-9/16"
HEX 9	0"	34-1/16"

1-1/2" GAP	HORIZONTAL	VERTICAL
HEX 2	9-11/16"	16-3/8"
HEX 3	9-11/16"	16-3/8"
HEX 4	9-11/16"	17-7/8"
HEX 5	9-11/16"	17-7/8"
HEX 6	19-3/8"	0"
HEX 7	19-3/8"	0"
HEX 8	0"	33"
HEX 9	0"	34-1/2"

2" GAP	HORIZONTAL	VERTICAL
HEX 2	9-15/16"	16-13/16"
HEX 3	9-15/16"	16-13/16"
HEX 4	9-15/16"	18-5/16"
HEX 5	9-15/16"	18-5/16"
HEX 6	19-7/8"	0"
HEX 7	19-7/8"	0"
HEX 8	0"	33-7/8"
HEX 9	0"	35-3/8"

2-1/2" GAP	HORIZONTAL	VERTICAL
HEX 2	10-3/16"	17-1/4"
HEX 3	10-3/16"	17-1/4"
HEX 4	10-3/16"	18-3/4"
HEX 5	10-3/16"	18-3/4"
HEX 6	20-3/8"	0"
HEX 7	20-3/8"	0"
HEX 8	0"	34-3/4"
HEX 9	0"	36-1/4"