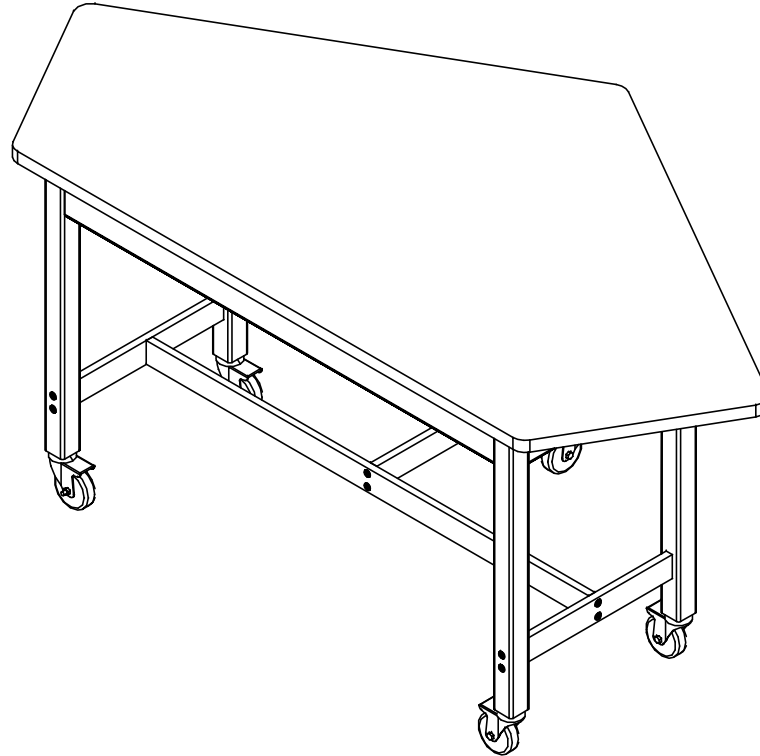


# FORWARD VISION TABLE

FVT-K-S, FVT-K-PB, FVT-K-PR, FVT-M-S, FVT-M-PB, FVT-M-PR SERIES TABLES  
ASSEMBLY INSTRUCTIONS



NOTE:

1. MODEL VIEWS MAY NOT REPRESENT EXACT MODEL PURCHASED

DWN BY:	EMK	DWN DATE:	7/19/18
APR BY:		DATE APR:	
APR BY:		DATE APR:	

UNLESS OTHERWISE SPECIFIED  
DIMENSION ARE IN INCHES  
CABINET SQUARENESS ± .0625  
FRACTIONAL VALUES ± 1/32"  
- ALL VALUES ± OVERALL -



300 South Krueger Street  
Suring, WI 54174  
diversifiedwoodcrafts.com

TITLE:  
FORWARD VISION TABLE  
ASSEMBLY INSTRUCTIONS

REV.	DESCRIPTION	DATE	NAME	ECN NO.
A	CREATED DRAWING	7/19/18	EMK	-

REVISION LEVEL

THIS DRAWING IS THE SOLE PROPERTY OF  
DIVERSIFIED WOOD CRAFTS. IT MAY NOT  
BE ALTERED OR CHANGED WITHOUT  
PERMISSION

DRAWING NUMBER:	SCALE:	SHEET:	REVISION:
FVT-K & FVT-M SERIES TABLES	NTS	1 OF 10	REV A

## TOOLS REQUIRED

1/2" WRENCH
1/2" SOCKET AND TORQUE WRENCH - OPTIONAL
4MM ALLEN WRENCH

## ASSEMBLY COMPONENTS

ITEMS INCLUDED	PART #	PART DESCRIPTION	QTY
TOP AND APRON ASSEMBLY	N/A	TOP ASSEMBLY (FACTORY ASSEMBLED)	1
LEGS	VARIES	LEG,(OAK OR MAPLE),2.25X2.25X32.25	5
CASTERS	254172	CASTER,4",TOTAL LOCK STEM CASTER 3/8"-16	5
SHORT LEG BRACE	N/A	LEG BRACE - 0.75"THK X 2.50"W X 18"L	2
LONG LEG BRACE	N/A	LEG BRACE - 0.75"THK X 2.50"W X 23.06"L	1
STRETCHER	N/A	STRETCHER - 0.75"THK X 2.50"W X 53.50"L	1
CONFIRMATS - LEGS	227578	SCREW,7MMX90MM,CONN,ALLENHEAD, BLACK	10
CONFIRMATS - STRETCHERS	228564	SCREW,7MMX50MM,CONN,ALLENHEAD, BLACK	6
BOLT - APRON TO APRON BRACKET	100381	BOLT,5/16X2 3/4 CARRIAGE BOLT	2
NUT - APRON TO APRON BRACKET	100044	NUT,HEX 5/16 -18 STEEL ZINC	2
WASHER - APRON TO APRON BRACKET	100451	WASHER,5/16 FLAT ZINC PLATED	2

**NOTE:**

1. COMPONENTS VARY WITH STYLE OF TABLE PURCHASED.
  - 1.1. TOPS ARE EITHER 1 1/2" SHOP TOP, 1 1/4" PLAM-BLACK, OR 3/4" PHENOLIC RESIN.
  - 1.2. MATERIALS ARE OAK OR MAPLE.

DWN BY:	EMK	DWN DATE:	7/19/18
APR BY:		DATE APR:	
APR BY:		DATE APR:	

UNLESS OTHERWISE SPECIFIED  
DIMENSION ARE IN INCHES  
  
CABINET SQUARENESS ± .0625  
FRACTIONAL VALUES ± 1/32"  
- ALL VALUES ± OVERALL -



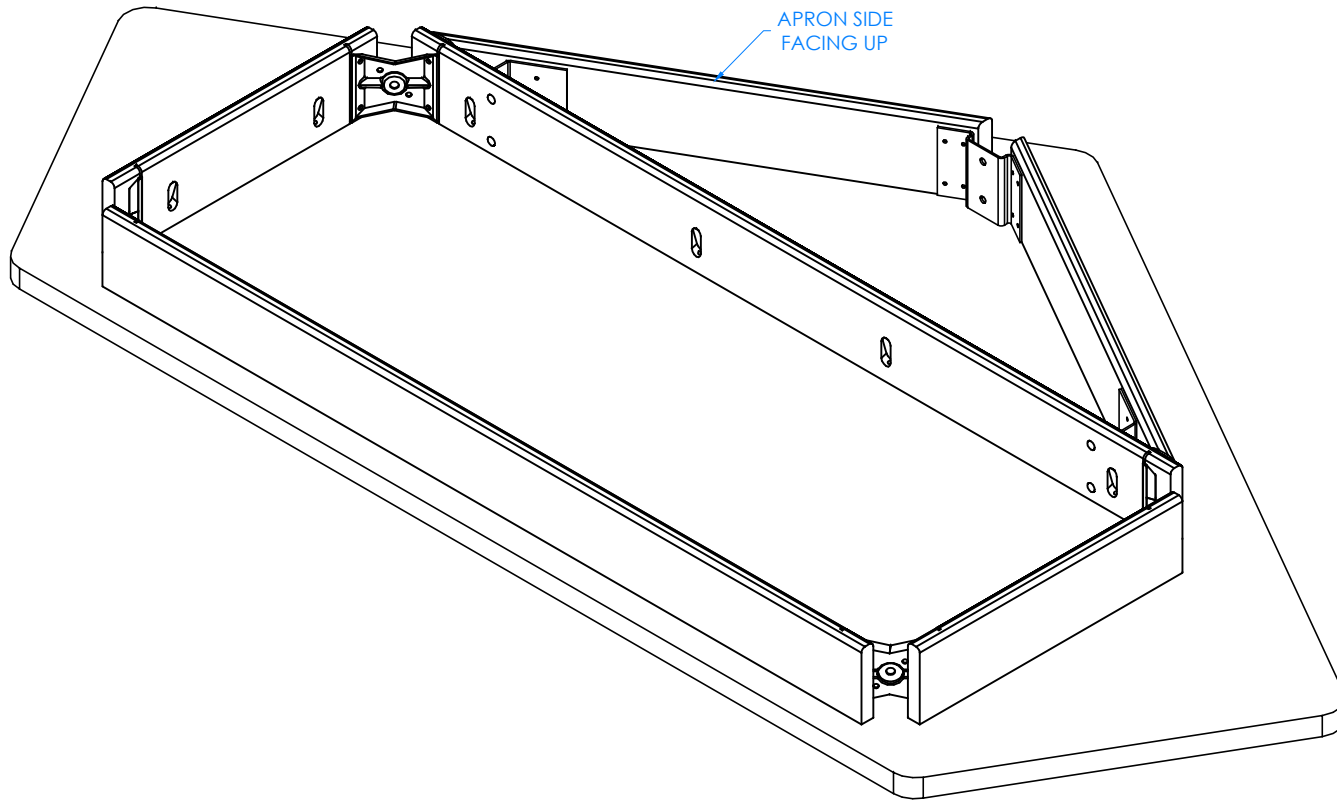
300 South Krueger Street  
Suring, WI 54174  
diversifiedwoodcrafts.com

TITLE:  
FORWARD VISION TABLE  
TOOLS AND ASSEMBLY COMPONENTS

REV.	DESCRIPTION	DATE	NAME	ECN NO.
A	CREATED DRAWING	7/19/18	EMK	-
REVISION LEVEL				

THIS DRAWING IS THE SOLE PROPERTY OF  
DIVERSIFIED WOOD CRAFTS. IT MAY NOT  
BE ALTERED OR CHANGED WITHOUT  
PERMISSION

DRAWING NUMBER:	SCALE:	SHEET:	REVISION:
FVT-K & FVT-M SERIES TABLES	NTS	2 OF 10	REV A



STEP 1:

- LAY TOP ASSEMBLY ON FLOOR WITH APRON SIDE FACING UP.

**\*\*NOTE\*\***  
BE SURE TOP ASSEMBLY IS ON A CLEAN SURFACE TO PREVENT DAMAGE

NOTE:

1.

DWN BY:	EMK	DWN DATE:	7/19/18
APR BY:		DATE APR:	
APR BY:		DATE APR:	

UNLESS OTHERWISE SPECIFIED DIMENSION ARE IN INCHES  
CABINET SQUARENESS ± .0625  
FRACTIONAL VALUES ± 1/32"  
- ALL VALUES ± OVERALL -



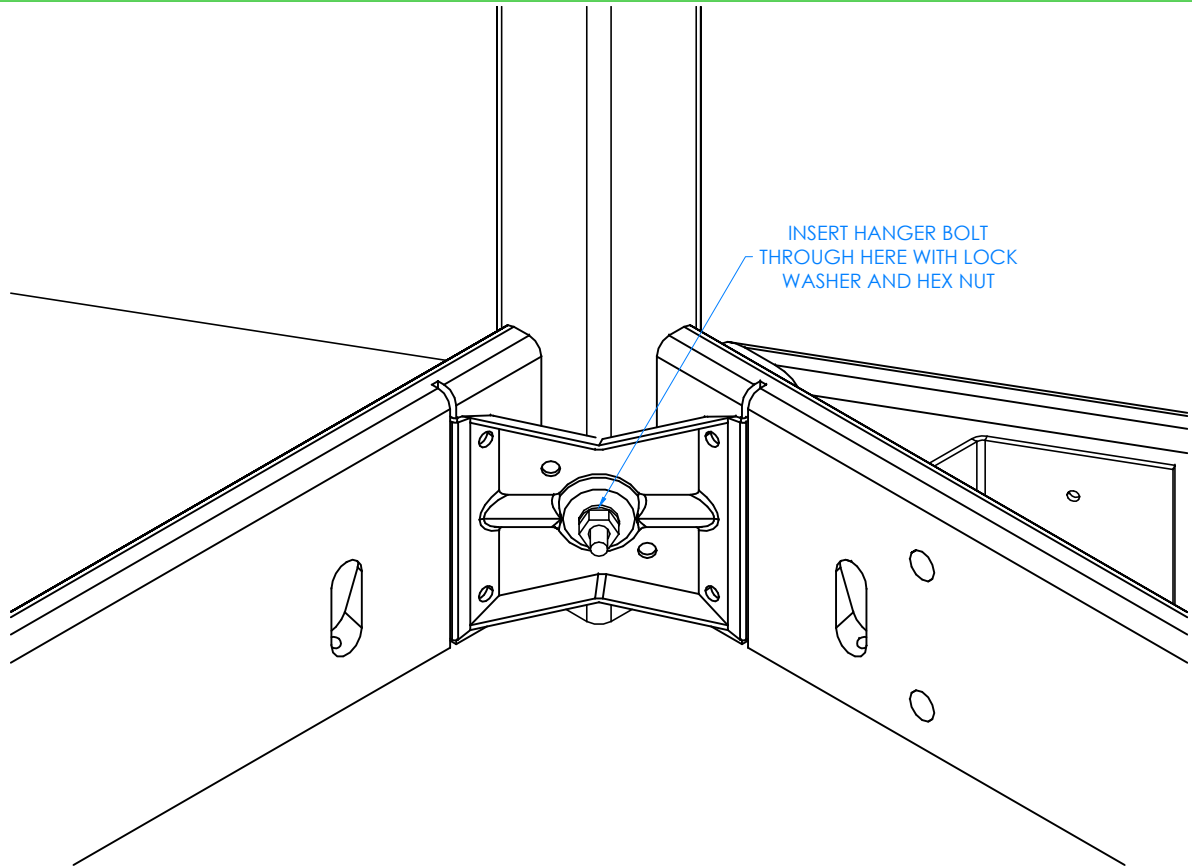
300 South Krueger Street  
Suring, WI 54174  
diversifiedwoodcrafts.com

TITLE:  
FORWARD VISION TABLE  
ASSEMBLY INSTRUCTIONS

REV.	DESCRIPTION	DATE	NAME	ECN NO.
A	CREATED DRAWING	7/19/18	EMK	-
REVISION LEVEL				

THIS DRAWING IS THE SOLE PROPERTY OF DIVERSIFIED WOOD CRAFTS. IT MAY NOT BE ALTERED OR CHANGED WITHOUT PERMISSION

DRAWING NUMBER:	SCALE:	SHEET:	REVISION:
FVT-K & FVT-M SERIES TABLES	NTS	3 OF 10	REV A



CLOSE UP OF CORNER LEG ASSEMBLY

STEP 2:

- TAKE THE (4) LEGS WITH HANGER BOLTS AND INSERT THEM THROUGH THE CORNER BRACKETS WITH LOCK WASHER AND HEX NUT.
- SCREW ON NUT USING 1/2" WRENCH OR 1/2" SOCKET AND TORQUE WRENCH.
- DO NOT TIGHTEN ALL THE WAY.

NOTE:

1.

DWN BY:	EMK	DWN DATE:	7/19/18
APR BY:		DATE APR:	
APR BY:		DATE APR:	

UNLESS OTHERWISE SPECIFIED DIMENSION ARE IN INCHES  
 CABINET SQUARENESS ± .0625  
 FRACTIONAL VALUES ± 1/32"  
 - ALL VALUES ± OVERALL -



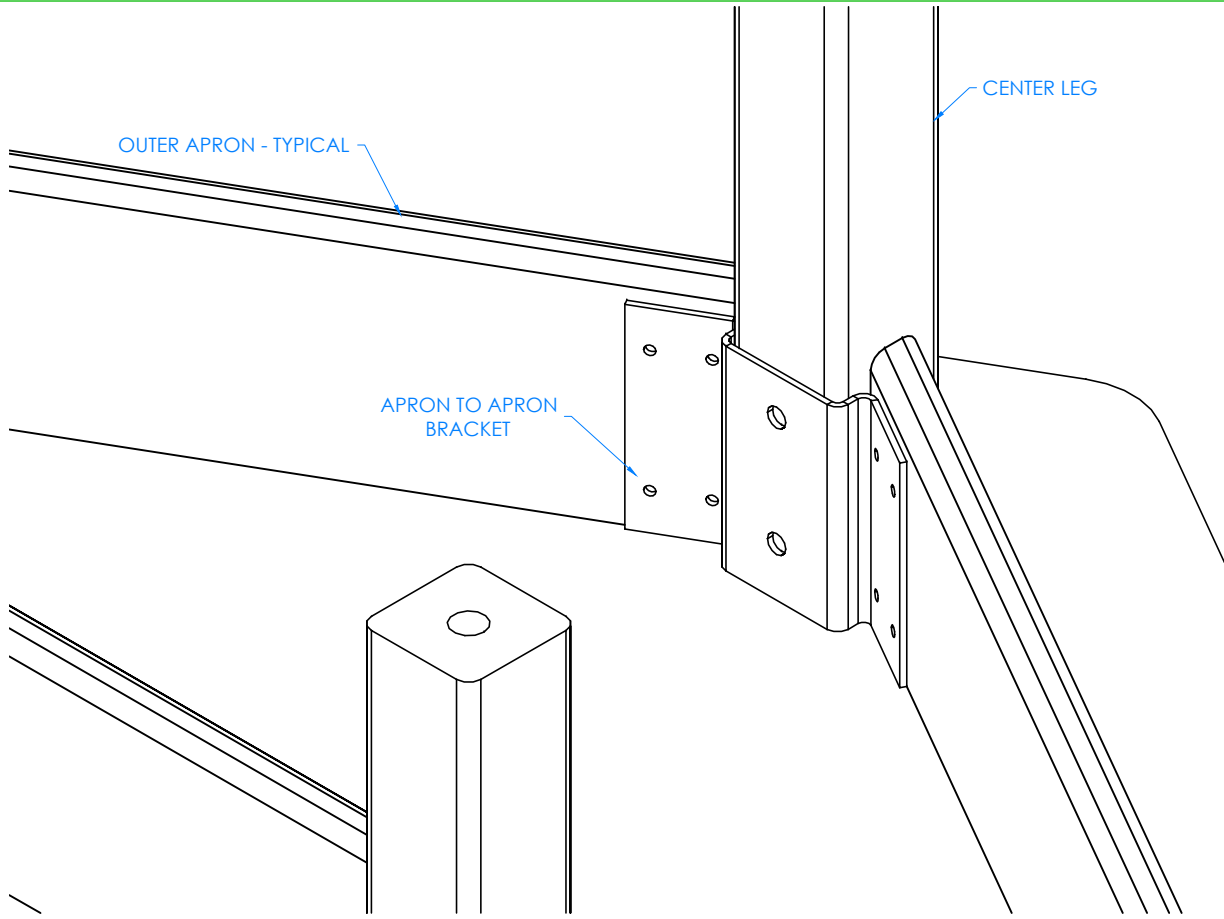
300 South Krueger Street  
 Suring, WI 54174  
 diversifiedwoodcrafts.com

TITLE:  
**FORWARD VISION TABLE  
 ASSEMBLY INSTRUCTIONS**

REV.	DESCRIPTION	DATE	NAME	ECN NO.
A	CREATED DRAWING	7/19/18	EMK	-
REVISION LEVEL				

THIS DRAWING IS THE SOLE PROPERTY OF DIVERSIFIED WOOD CRAFTS. IT MAY NOT BE ALTERED OR CHANGED WITHOUT PERMISSION

DRAWING NUMBER:	SCALE:	SHEET:	REVISION:
<b>FVT-K &amp; FVT-M SERIES TABLES</b>	NTS	4 OF 10	REV A



STEP 3:

- POSITION CENTER LEG IN BETWEEN THE TWO APRONS SO THROUGH HOLES ON LEG LINE UP WITH HOLES ON APRON TO APRON BRACKET.
- ATTACH LEG TO BRACKET WITH HARDWARE PROVIDED.
- SCREW ON NUTS USING A 1/2" WRENCH OR 1/2" SOCKET AND TORQUE WRENCH.
- DO NOT TIGHTEN ALL THE WAY.

CLOSE UP OF CENTER LEG ASSEMBLY

NOTE:

- 1.

DWN BY:	EMK	DWN DATE:	7/19/18
APR BY:		DATE APR:	
APR BY:		DATE APR:	



300 South Krueger Street  
Suring, WI 54174  
diversifiedwoodcrafts.com

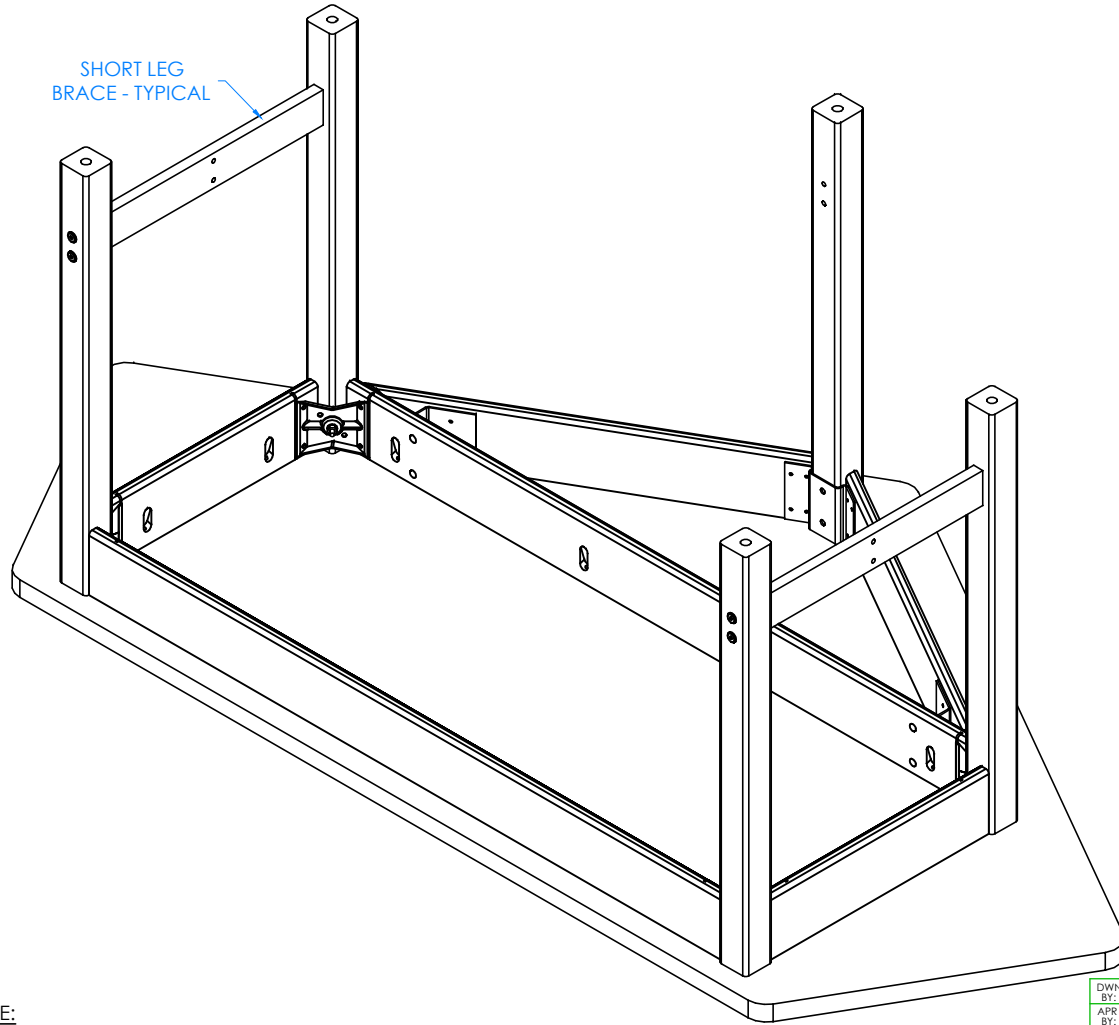
UNLESS OTHERWISE SPECIFIED  
DIMENSION ARE IN INCHES  
CABINET SQUARENESS ± .0625  
FRACTIONAL VALUES ± 1/32"  
- ALL VALUES ± OVERALL -

TITLE:  
FORWARD VISION TABLE  
ASSEMBLY INSTRUCTIONS

REV.	DESCRIPTION	DATE	NAME	ECN NO.
A	CREATED DRAWING	7/19/18	EMK	-
REVISION LEVEL				

THIS DRAWING IS THE SOLE PROPERTY OF  
DIVERSIFIED WOOD CRAFTS. IT MAY NOT  
BE ALTERED OR CHANGED WITHOUT  
PERMISSION

DRAWING NUMBER:	SCALE:	SHEET:	REVISION:
FVT-K & FVT-M SERIES TABLES	NTS	5 OF 10	REV A



STEP 4:

- ATTACH SHORT LEG BRACES TO LEGS.
- INSERT THE CONFIRMATS INTO ONE LEG AND SCREW INTO BRACE.
- REPEAT ON OTHER LEGS.
- MAKE SURE BRACES ARE STRAIGHT AND ALL CONFIRMATS ARE TIGHT.

NOTE:

1.

DWN BY:	EMK	DWN DATE:	7/19/18
APR BY:		DATE APR:	
APR BY:		DATE APR:	

UNLESS OTHERWISE SPECIFIED DIMENSION ARE IN INCHES  
 CABINET SQUARENESS ± .0625  
 FRACTIONAL VALUES ± 1/32"  
 - ALL VALUES ± OVERALL -



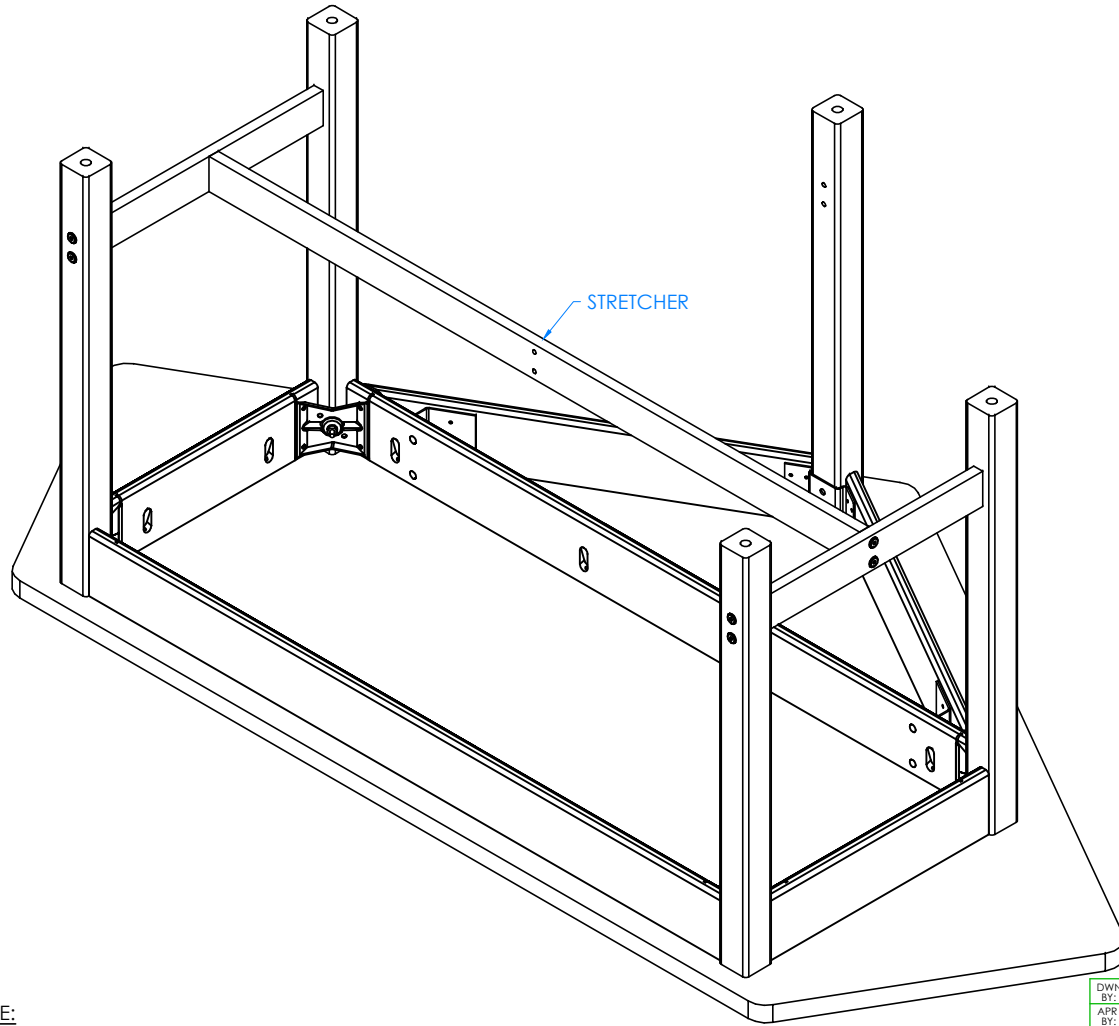
300 South Krueger Street  
 Suring, WI 54174  
 diversifiedwoodcrafts.com

TITLE:  
 FORWARD VISION TABLE  
 ASSEMBLY INSTRUCTIONS

REV.	DESCRIPTION	DATE	NAME	ECN NO.
A	CREATED DRAWING	7/19/18	EMK	-
REVISION LEVEL				

THIS DRAWING IS THE SOLE PROPERTY OF DIVERSIFIED WOOD CRAFTS. IT MAY NOT BE ALTERED OR CHANGED WITHOUT PERMISSION

DRAWING NUMBER:	SCALE:	SHEET:	REVISION:
FVT-K & FVT-M SERIES TABLES	NTS	6 OF 10	REV A



STEP 5:

- INSERT STRETCHER IN BETWEEN SHORT LEG BRACES.
- ATTACH STRETCHER TO LEG BRACES WITH HARDWARE PROVIDED.
- GO BACK TO STEP 2 AND TIGHTEN UP THE HANGER BOLTS FOR EACH LEG USING A 1/2" WRENCH OR 1/2" SOCKET AND TORQUE WRENCH, TO A MINIMUM OF 12FT LBS BUT NOT TO EXCEED 17FT LBS.

NOTE:

1.

DWN BY:	EMK	DWN DATE:	7/19/18
APR BY:		DATE APR:	
APR BY:		DATE APR:	

UNLESS OTHERWISE SPECIFIED DIMENSION ARE IN INCHES  
 CABINET SQUARENESS ± .0625  
 FRACTIONAL VALUES ± 1/32"  
 - ALL VALUES ± OVERALL -



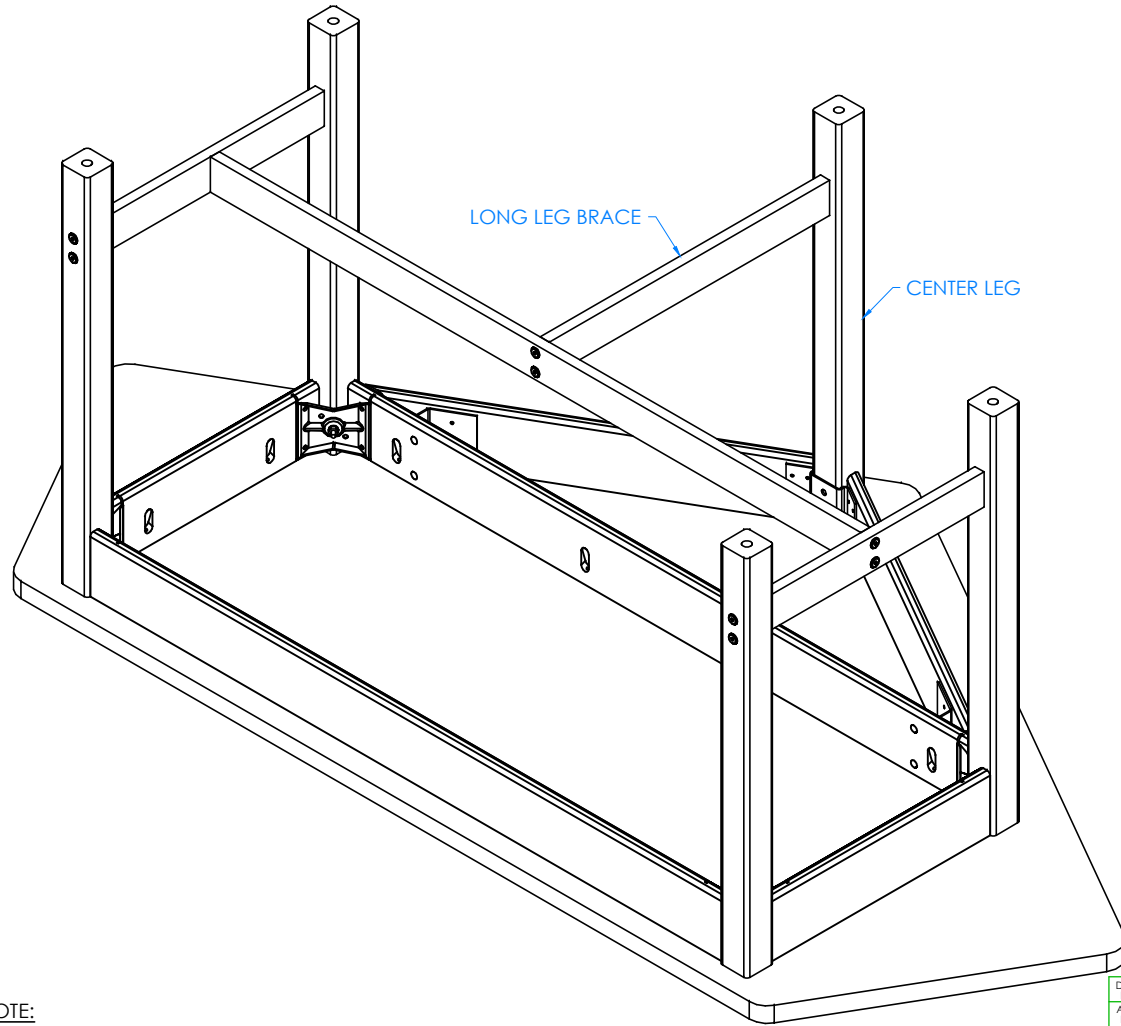
300 South Krueger Street  
 Suring, WI 54174  
 diversifiedwoodcrafts.com

TITLE:  
 FORWARD VISION TABLE  
 ASSEMBLY INSTRUCTIONS

REV.	DESCRIPTION	DATE	NAME	ECN NO.
A	CREATED DRAWING	7/19/18	EMK	-
REVISION LEVEL				

THIS DRAWING IS THE SOLE PROPERTY OF DIVERSIFIED WOOD CRAFTS. IT MAY NOT BE ALTERED OR CHANGED WITHOUT PERMISSION

DRAWING NUMBER:	SCALE:	SHEET:	REVISION:
FVT-K & FVT-M SERIES TABLES	NTS	7 OF 10	REV A



STEP 6:

- ATTACH LONG LEG BRACE TO STRETCHER AND CENTER LEG.
- INSERT CONFIRMATS INTO CENTER LEG AND STRETCHER AND SCREW INTO BRACE.
- MAKE SURE LEG BRACE IS STRAIGHT AND ALL CONFIRMATS ARE TIGHT.
- GO BACK TO STEP 3 AND TIGHTEN UP THE NUTS FOR THE CENTER LEG USING A 1/2" WRENCH OR 1/2" SOCKET AND TORQUE WRENCH, TO A MINIMUM OF 12FT LBS BUT NOT TO EXCEED 17FT LBS.

NOTE:

1.

DWN BY:	EMK	DWN DATE:	7/19/18
APR BY:		DATE APR:	
APR BY:		DATE APR:	

UNLESS OTHERWISE SPECIFIED  
DIMENSION ARE IN INCHES  
CABINET SQUARENESS ± .0625  
FRACTIONAL VALUES ± 1/32"  
- ALL VALUES ± OVERALL -



300 South Krueger Street  
Suring, WI 54174  
diversifiedwoodcrafts.com

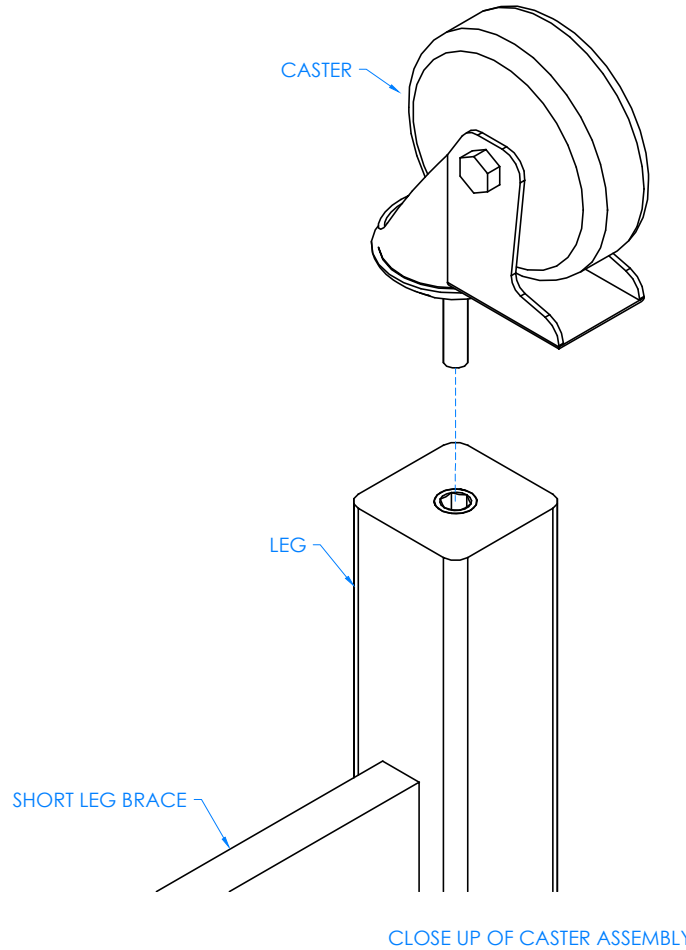
TITLE:  
FORWARD VISION TABLE  
ASSEMBLY INSTRUCTIONS

REV.	DESCRIPTION	DATE	NAME	ECN NO.
A	CREATED DRAWING	7/19/18	EMK	-
REVISION LEVEL				

THIS DRAWING IS THE SOLE PROPERTY OF  
DIVERSIFIED WOOD CRAFTS. IT MAY NOT  
BE ALTERED OR CHANGED WITHOUT  
PERMISSION

DRAWING NUMBER:	SCALE:	SHEET:	REVISION:
FVT-K & FVT-M SERIES TABLES	NTS	8 OF 10	REV A





STEP 7:

- SCREW CASTERS INTO BOTTOM OF LEGS.

NOTE:

1.

DWN BY:	EMK	DWN DATE:	7/19/18
APR BY:		DATE APR:	
APR BY:		DATE APR:	

UNLESS OTHERWISE SPECIFIED  
DIMENSION ARE IN INCHES  
CABINET SQUARENESS ± .0625  
FRACTIONAL VALUES ± 1/32"  
- ALL VALUES ± OVERALL -



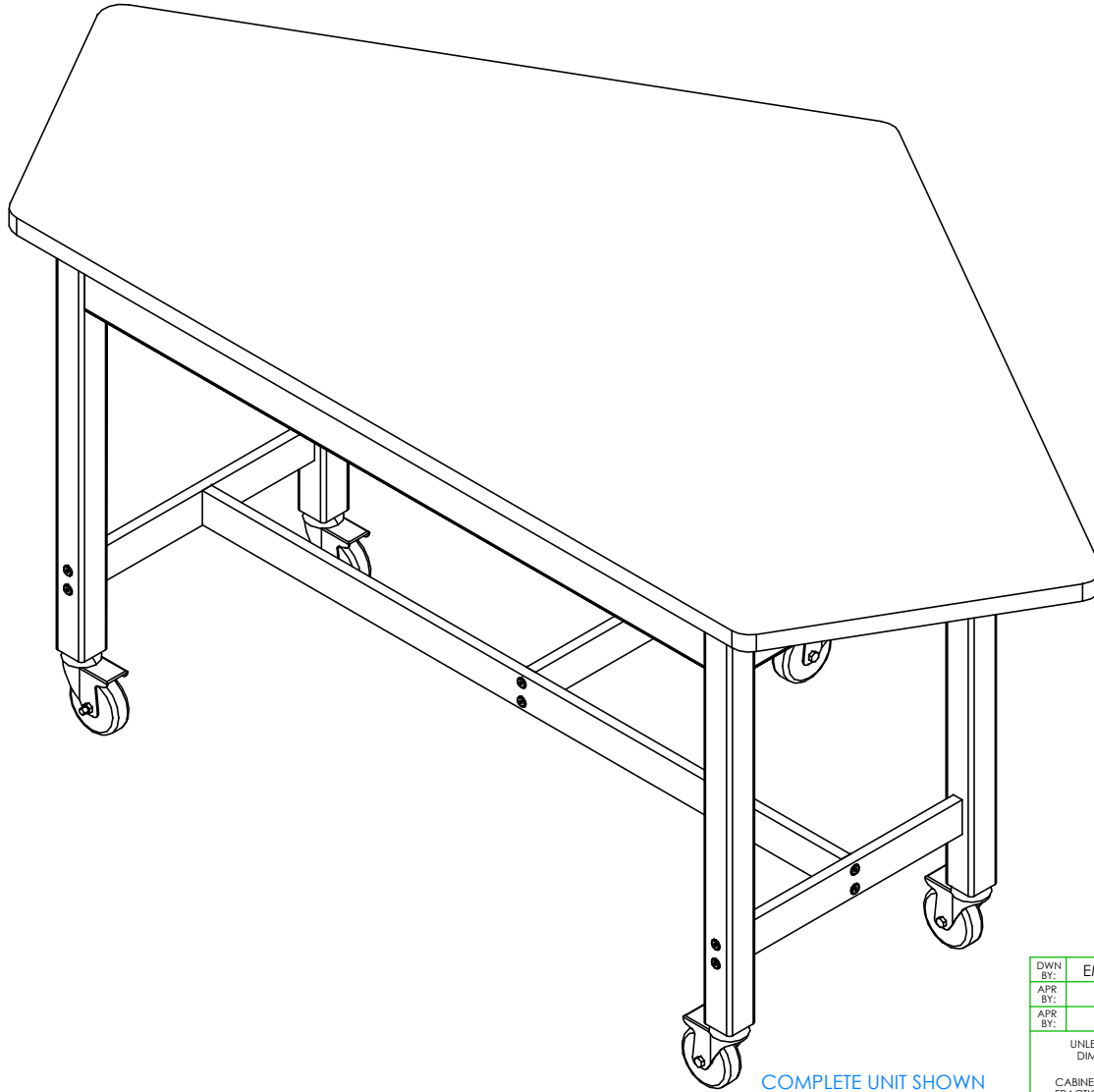
300 South Krueger Street  
Suring, WI 54174  
diversifiedwoodcrafts.com

TITLE:  
FORWARD VISION TABLE  
ASSEMBLY INSTRUCTIONS

REV.	DESCRIPTION	DATE	NAME	ECN NO.
A	CREATED DRAWING	7/19/18	EMK	-
REVISION LEVEL				

THIS DRAWING IS THE SOLE PROPERTY OF  
DIVERSIFIED WOOD CRAFTS. IT MAY NOT  
BE ALTERED OR CHANGED WITHOUT  
PERMISSION

DRAWING NUMBER:	SCALE:	SHEET:	REVISION:
FVT-K & FVT-M SERIES TABLES	NTS	9 OF 10	REV A



STEP 8:

- TURN TABLE OVER SO TOP IS UP.
- SET IN DESIRED LOCATION.

NOTE:

- 1.

DWN BY:	EMK	DWN DATE:	7/19/18
APR BY:		DATE APR:	
APR BY:		DATE APR:	

UNLESS OTHERWISE SPECIFIED  
DIMENSION ARE IN INCHES  
CABINET SQUARENESS ± .0625  
FRACTIONAL VALUES ± 1/32"  
- ALL VALUES ± OVERALL -



300 South Krueger Street  
Suring, WI 54174  
diversifiedwoodcrafts.com

TITLE:  
FORWARD VISION TABLE  
ASSEMBLY INSTRUCTIONS

A	CREATED DRAWING	7/19/18	EMK	-
REV.	DESCRIPTION	DATE	NAME	ECN NO.

REVISION LEVEL

THIS DRAWING IS THE SOLE PROPERTY OF  
DIVERSIFIED WOOD CRAFTS. IT MAY NOT  
BE ALTERED OR CHANGED WITHOUT  
PERMISSION

DRAWING NUMBER:	SCALE:	SHEET:	REVISION:
FVT-K & FVT-M SERIES TABLES	NTS	10 OF 10	REV A