



## Assembly Guide TEC1000\_2015\_A

Check out our other products online at  
[www.copernicused.com](http://www.copernicused.com)

For assistance, please contact us:

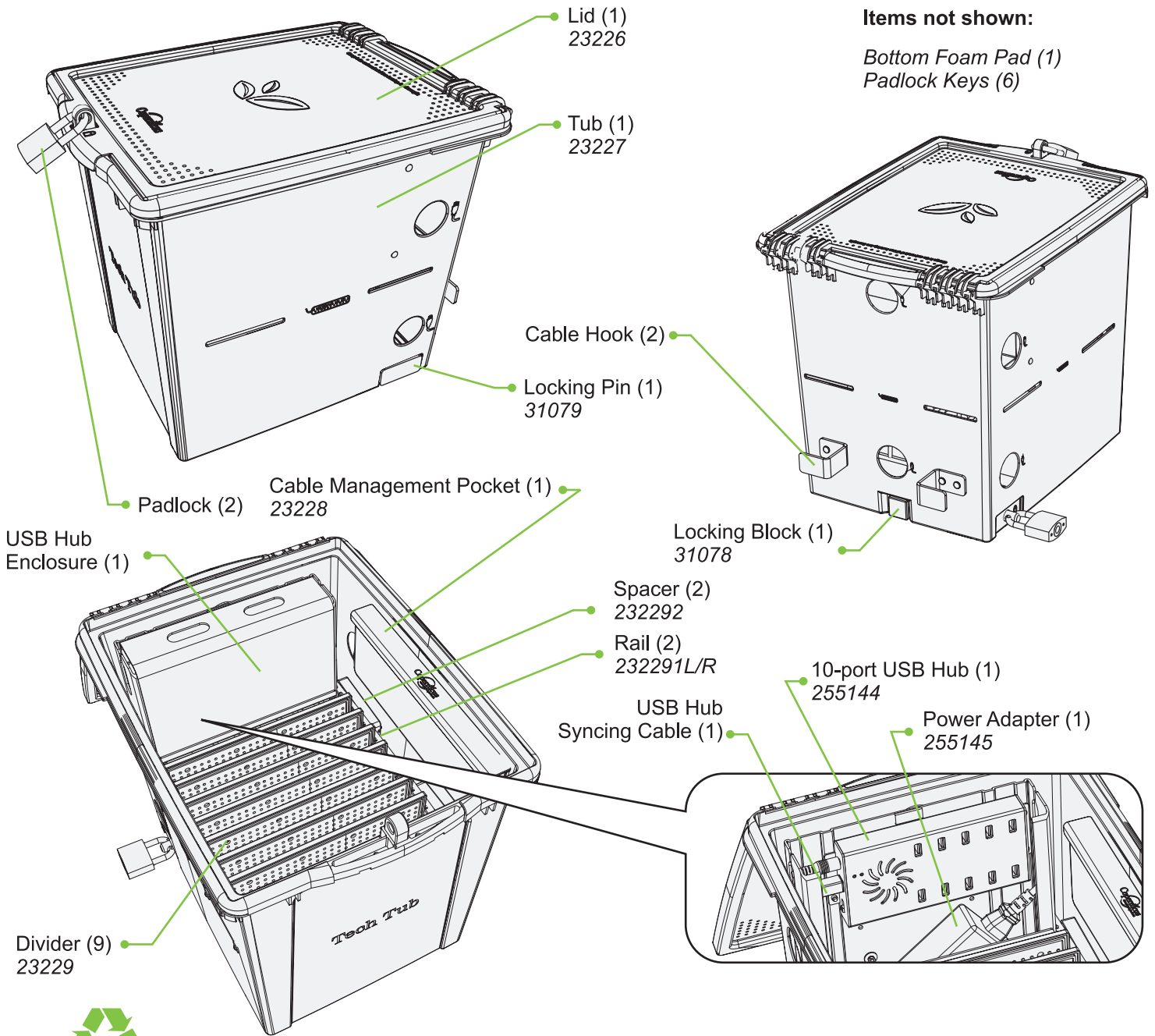
**1-800-267-8494**

Email [info@copernicused.com](mailto:info@copernicused.com)

Have your packing slip ready for reference

### WARNING !

- This product is meant to be assembled by an adult.
- In its unassembled state, small parts present a hazard.
- To be used under direct supervision of an adult.



Please Recycle



## Assembly Guide TEC1000\_2015\_A

Check out our other products online at  
[www.copernicused.com](http://www.copernicused.com)

For assistance, please contact us:

**1-800-267-8494**

Email [info@copernicused.com](mailto:info@copernicused.com)

**Have your packing slip ready for reference**

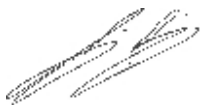
Dear Educator,

Thank you for purchasing one of our products. I hope that the Tech Tub™ is useful in your classroom.

If you have any questions, concerns, or ideas please contact us by telephone at 1-800-267-8494 or email at [info@copernicused.com](mailto:info@copernicused.com).

Enjoy using your new product and happy teaching.

*Jim Phillips*  
Chief Cook and Bottle Washer



We do not inherit the earth from our ancestors, we borrow it from our children.

NORTH AMERICAN  
PROVERB

Change is the end result of all true learning.

LEO BUSCAGLIA

What you leave behind is not what is engraved in stone monuments, but what is woven into the lives of others.

PERICLES

Education is the most powerful weapon which you can use to change the world.

NELSON MANDELA



### Validate Your Warranty

To validate your warranty, submit the ON-LINE form at [www.copernicused.com](http://www.copernicused.com). Enter a drawing to win a Copernicus Product for your classroom at the same time!





# Warning! Hazard Risks!

Please read the warnings below for important safety information regarding your product. Failure to read these warnings or to follow the instructions below could result in personal injury or damage to your product that could void your warranty.



Small Parts

In its unassembled state, this product contains parts that can be hazardous to small children. This product should be assembled by an adult.



Adult Supervision

This product is to be used under the supervision of an adult.



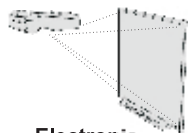
Indoor Use Only

This product is intended for indoor use only. To reduce the risk of fire or electric shock, do not expose this product to rain or moisture. The internal components are not sealed from the environment.



Power Strip Specifications

Read your power strip's electrical specifications. Only plug in devices that are approved for use with this power strip. Connect the supplied power strip directly to a wall outlet. **The socket-outlet shall be installed near the equipment and shall be easily accessible.** Do not connect to another power strip or use an extension cord. Unplug when not in use.



Electronic Equipment

Read the electrical specifications of any electronic equipment you are using with your Copernicus products. Failure to read these specifications and follow their instructions could result in damage to your equipment or personal injury.



Cable Trip Hazard

Ensure that any cables extending across the floor to your product are properly bundled and marked to avoid tripping or falling which may lead to personal injury.



Electrical Shock

Do not install or use the electrical components of this unit during a lightning storm.



Climb Hazard

Do not climb on, hang from or suspend objects from any components of your product unless otherwise specified.



**Before beginning, you should have:**

Additional tools required:

Adjustable wrench



OR

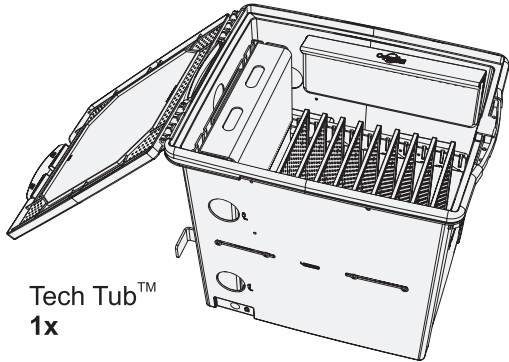
10mm Wrench  
3/8" Wrench

AND

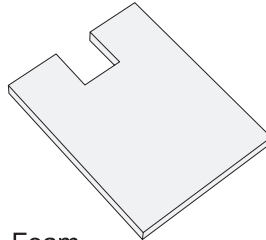
Screwdriver



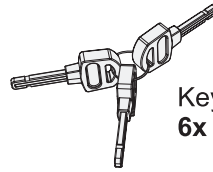
Contents



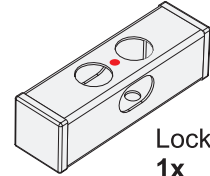
Tech Tub™  
1x



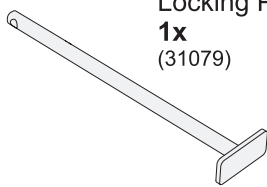
Foam  
1x  
(Found inside Tech Tub™)



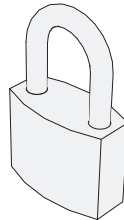
Key  
6x



Locking Block  
1x  
(31078)



Locking Pin  
1x  
(31079)



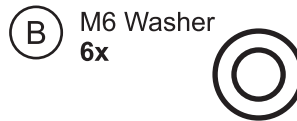
Padlock  
2x



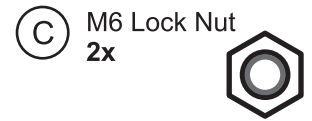
Hardware  
Actual Size



(A) M6 x 70mm  
2x



(B) M6 Washer  
6x



(C) M6 Lock Nut  
2x



Allen Key 4mm  
1x

## Watch for These Helpful Symbols

Watch for this symbol throughout the Assembly Guide. Wherever you see it, pay close attention. The symbol denotes a step needing extra attention to ensure it is done correctly.

The star symbol highlights an advisory note.



## Before You Begin

- Lay out and identify all of the included parts.
- The hardware has been packed according to step.
- Read the assembly guide over once to familiarize yourself with them.

**!** Please note that in its unassembled state, this product contains parts that can be hazardous to small children. This product should be assembled by an adult.



## As You Assemble the Unit

- Follow the steps in sequence.
- Before beginning each step, find the part(s) that you need for that step.
- Pay attention to the labels on the parts; they are there to help direct you at certain stages.
- The title of each step states what you will be doing. Review the text and the pictures as you build the unit.



## Customer Service - FAQ's



### For missing parts and other issues regarding your Tech Tub:

Please call Copernicus Customer Service, where we will be happy to help.

1-800-267-8494. Monday - Friday 8:30am - 4:30 pm EST.

OR

Email our Tech Support Service at [info@copernicused.com](mailto:info@copernicused.com)

**Watch this video on how to  
set up and manage your cables**



[www.copernicused.com/help/default.aspx](http://www.copernicused.com/help/default.aspx)

**Need Tech Support?  
Have a Question?**



Email our Tech Support Service



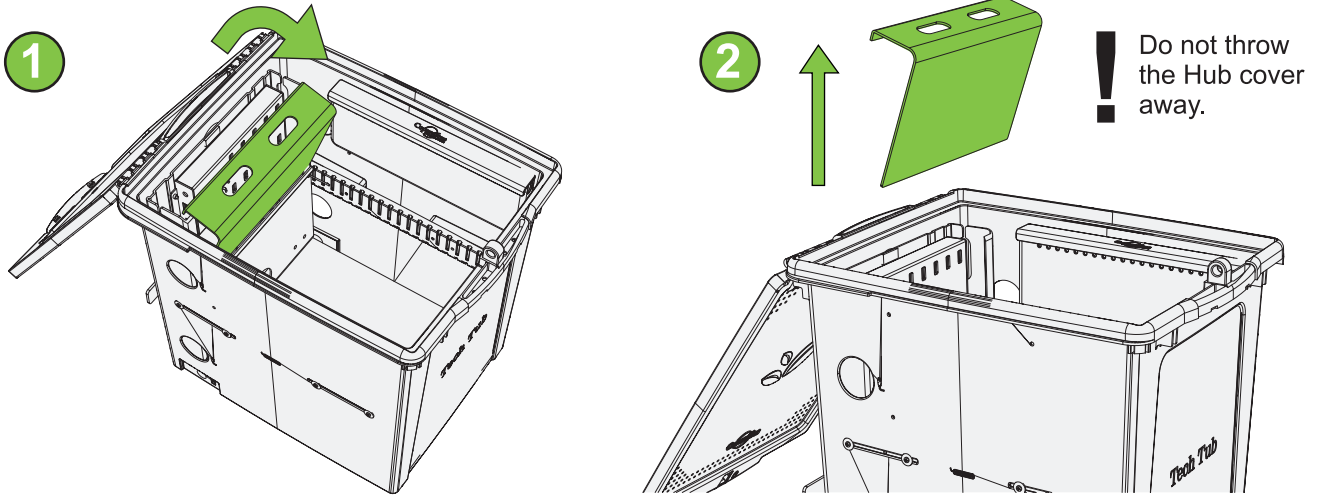
**!** If your device or device case measures more than 0.6" (1.5cm) in thickness, you will need to assemble your USB Enclosure to the outside of your Tech Tub™.

**!** Steps 1-9 will guide you to assemble your USB Hub on the outside of your Tech Tub™.

**!** Proceed to Step 10 if you are leaving your USB Hub assembled inside of your Tech Tub™.

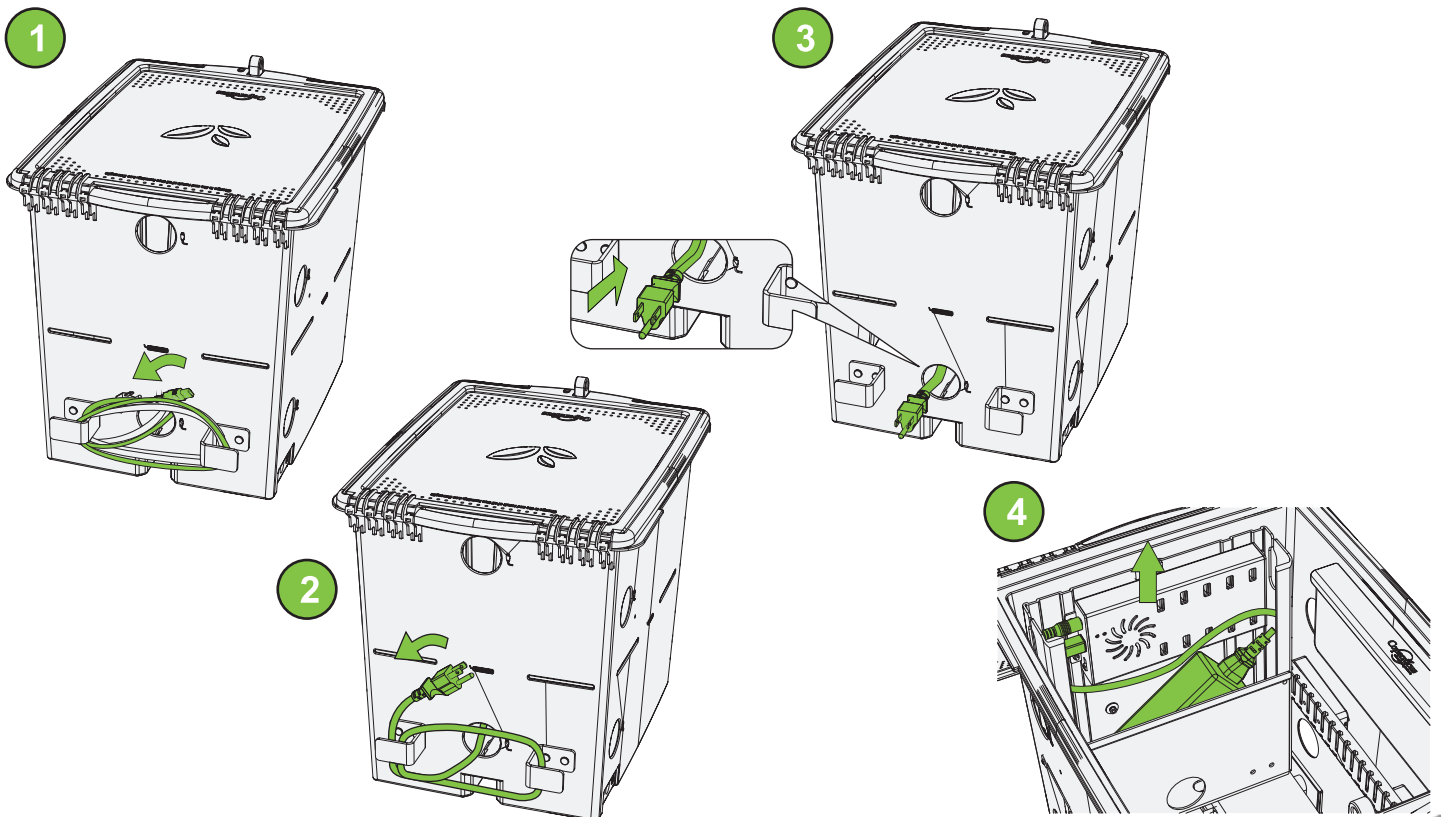
1

### Remove USB Hub Cover from Tech Tub™



2

### Remove USB Syncing Cable and Power Adapter from USB Hub



3

You will need: (Not to Scale)

Adjustable wrench



OR

10mm Wrench  
3/8" Wrench

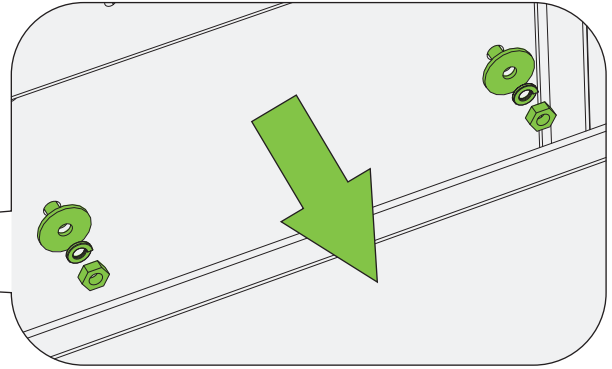
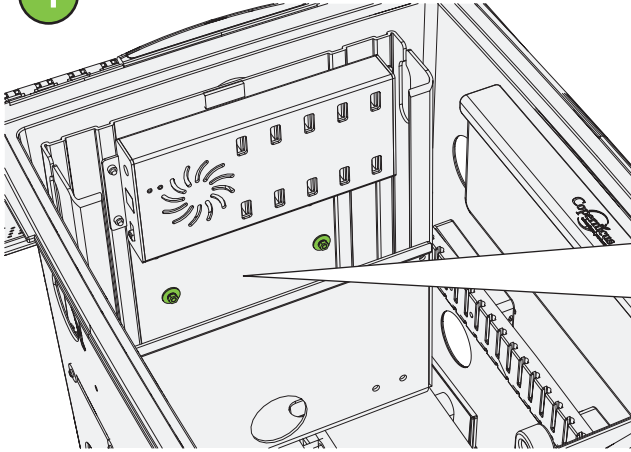
AND

Screwdriver



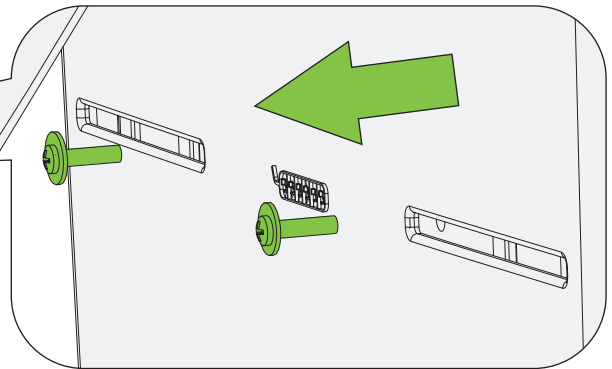
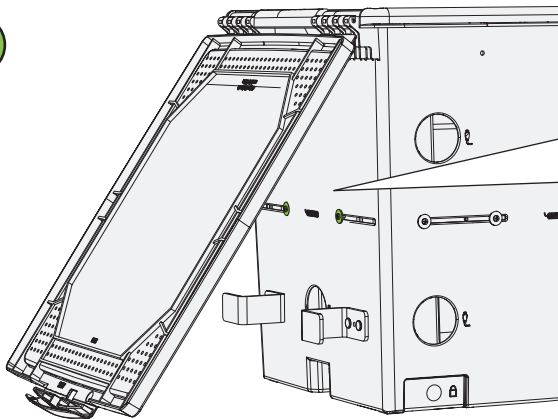
## Unfasten and Remove USB Hub Enclosure

1

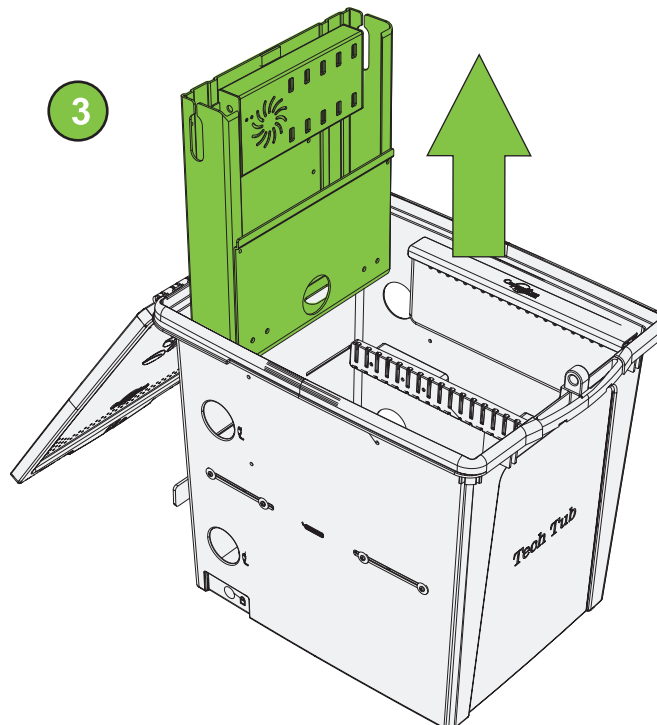


**!** Do not throw this hardware away,  
Keep it for Step 7.

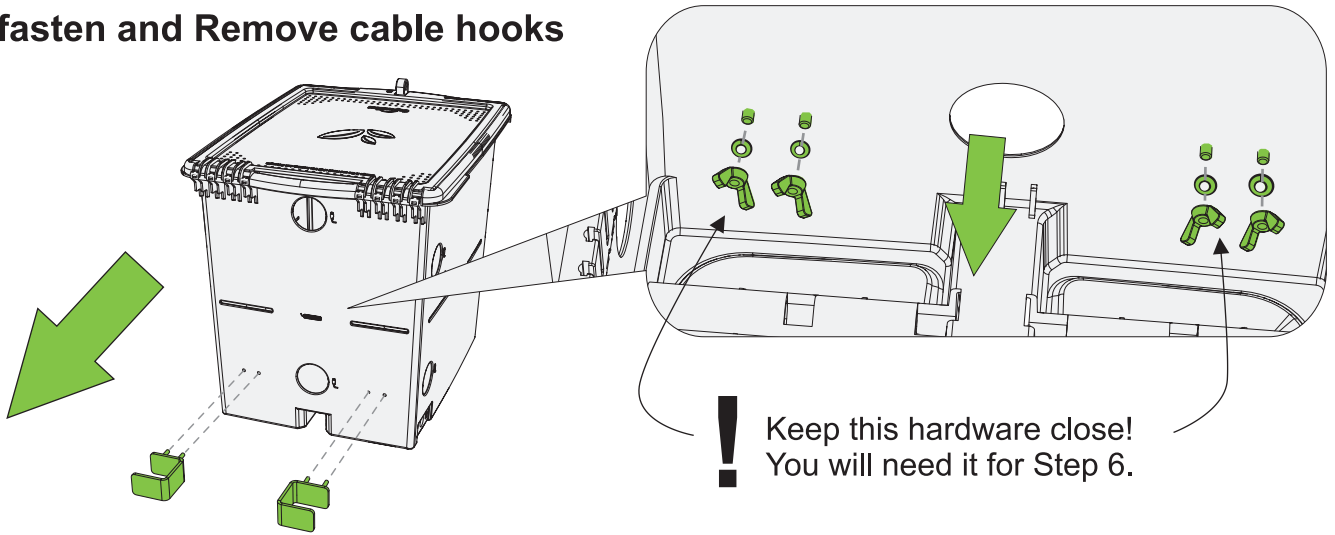
2



3



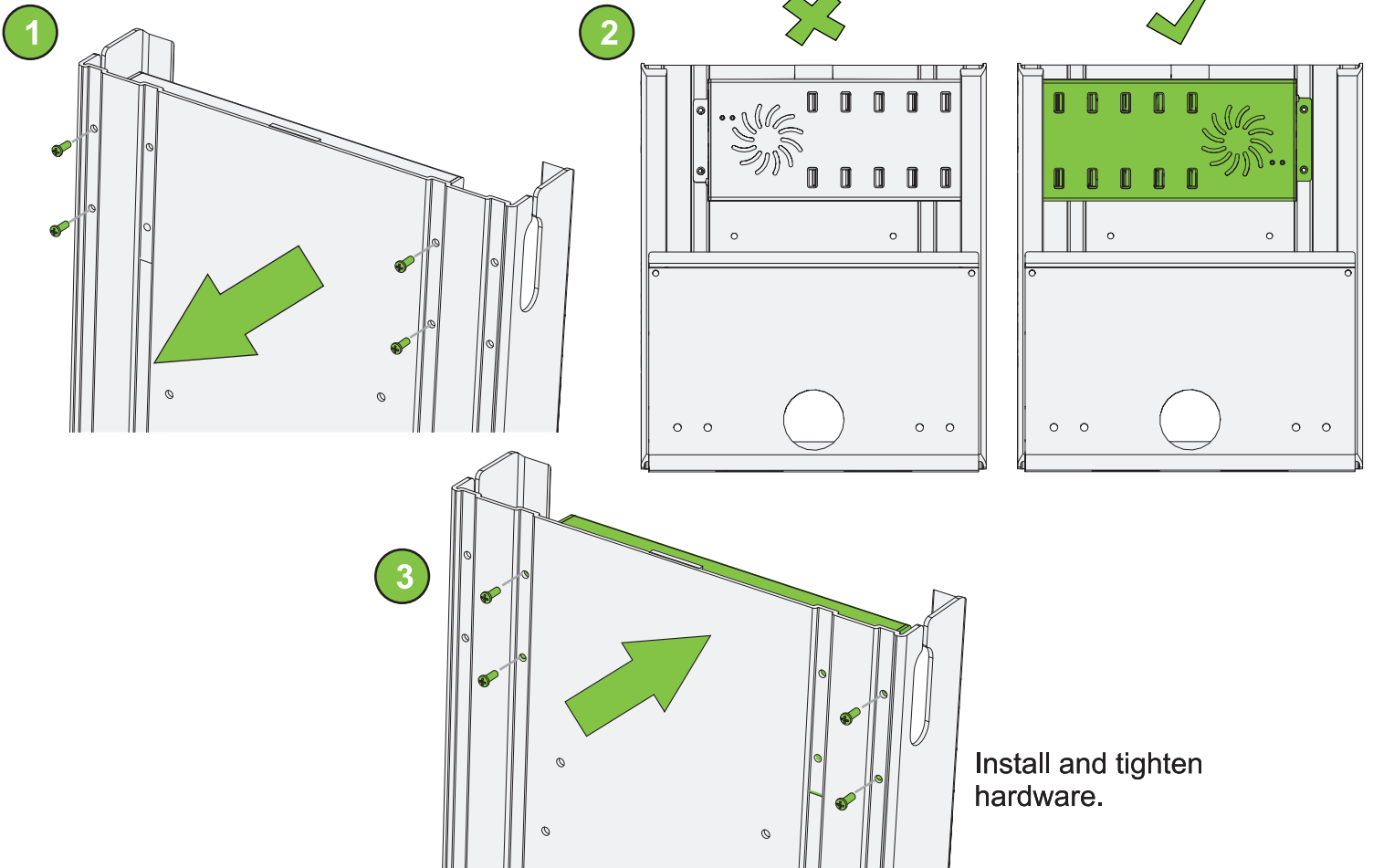
**Unfasten and Remove cable hooks**



You will need: (Not to Scale)    Screwdriver



**Unfasten and Reposition USB Hub**

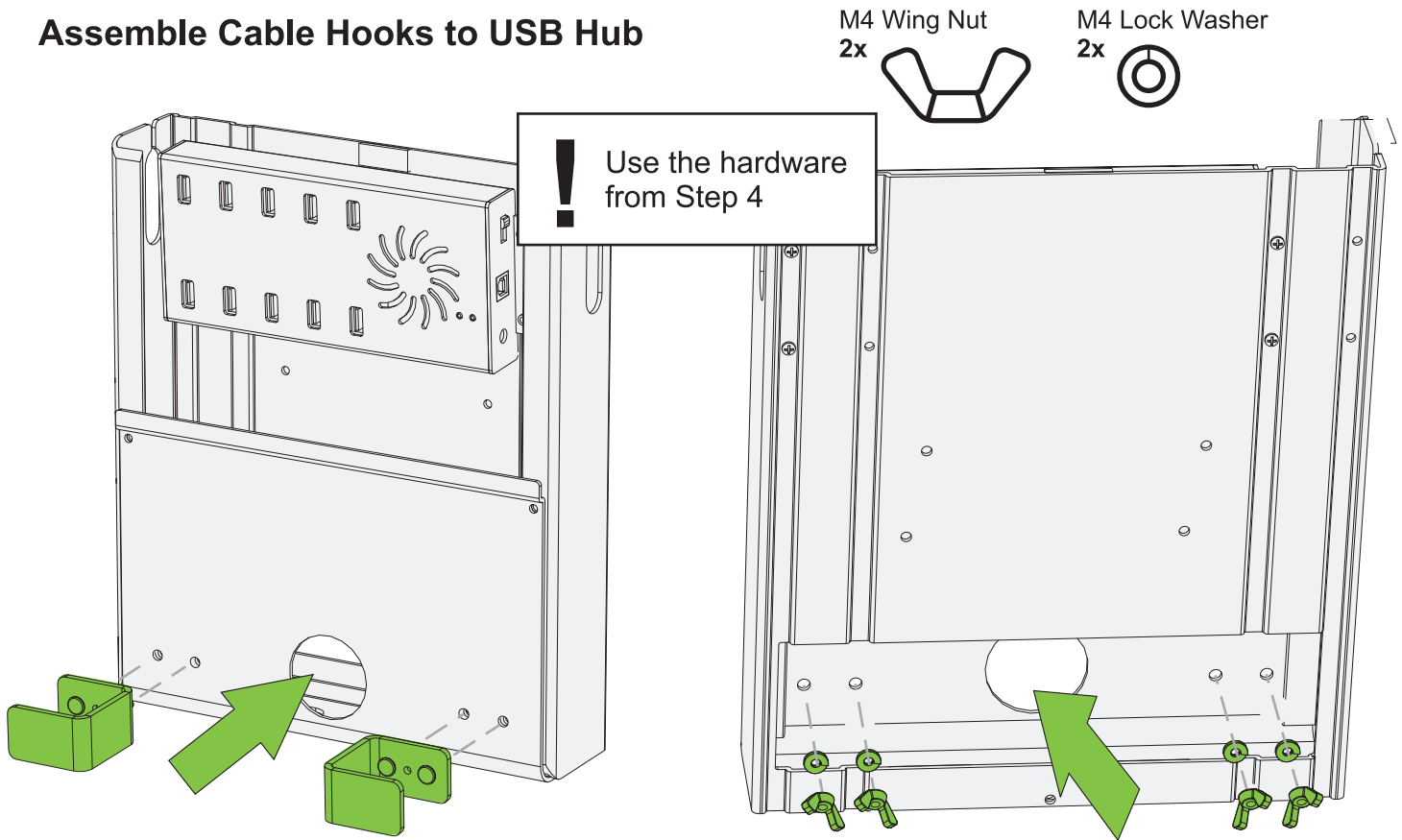


Install and tighten hardware.





### Assemble Cable Hooks to USB Hub



You will need: (Not to Scale)

Adjustable wrench



OR

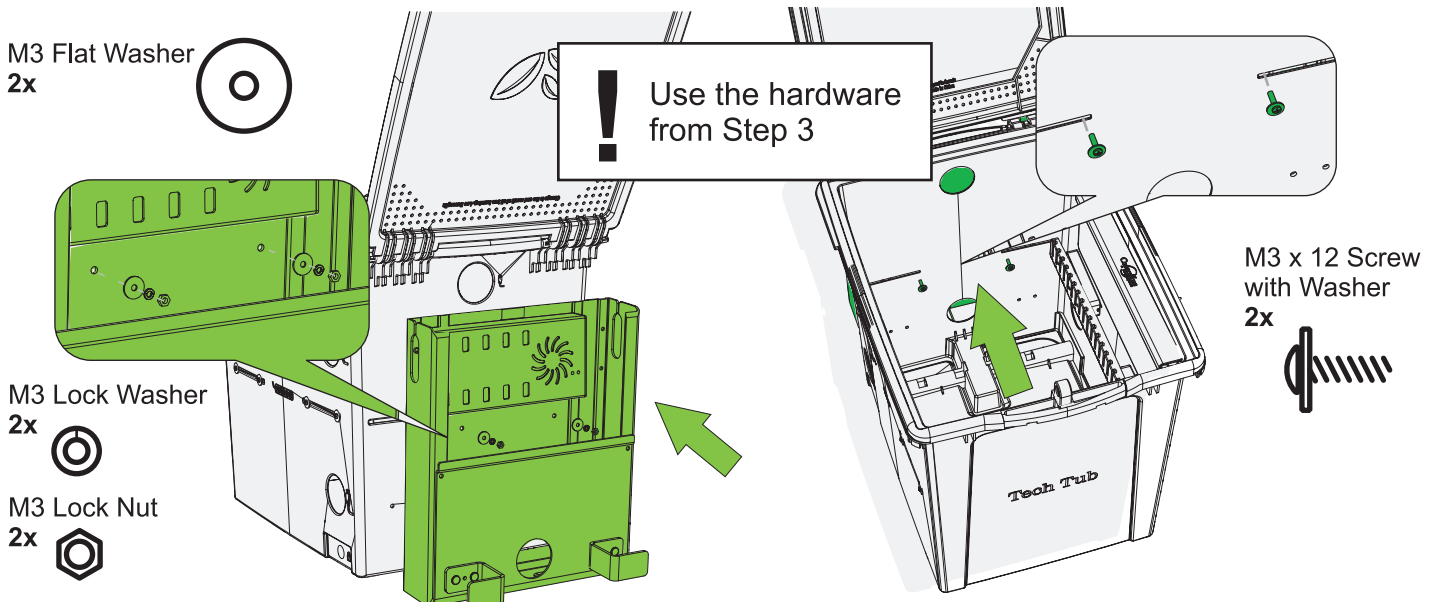
10mm Wrench  
3/8" Wrench

AND

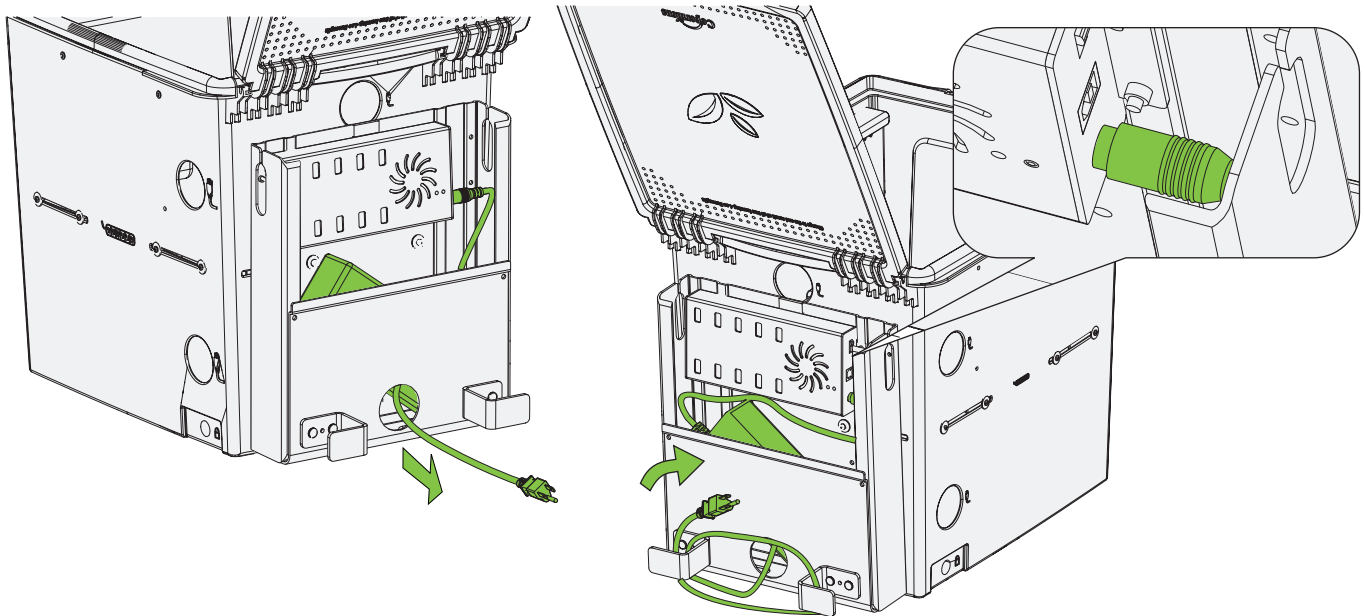
Screwdriver



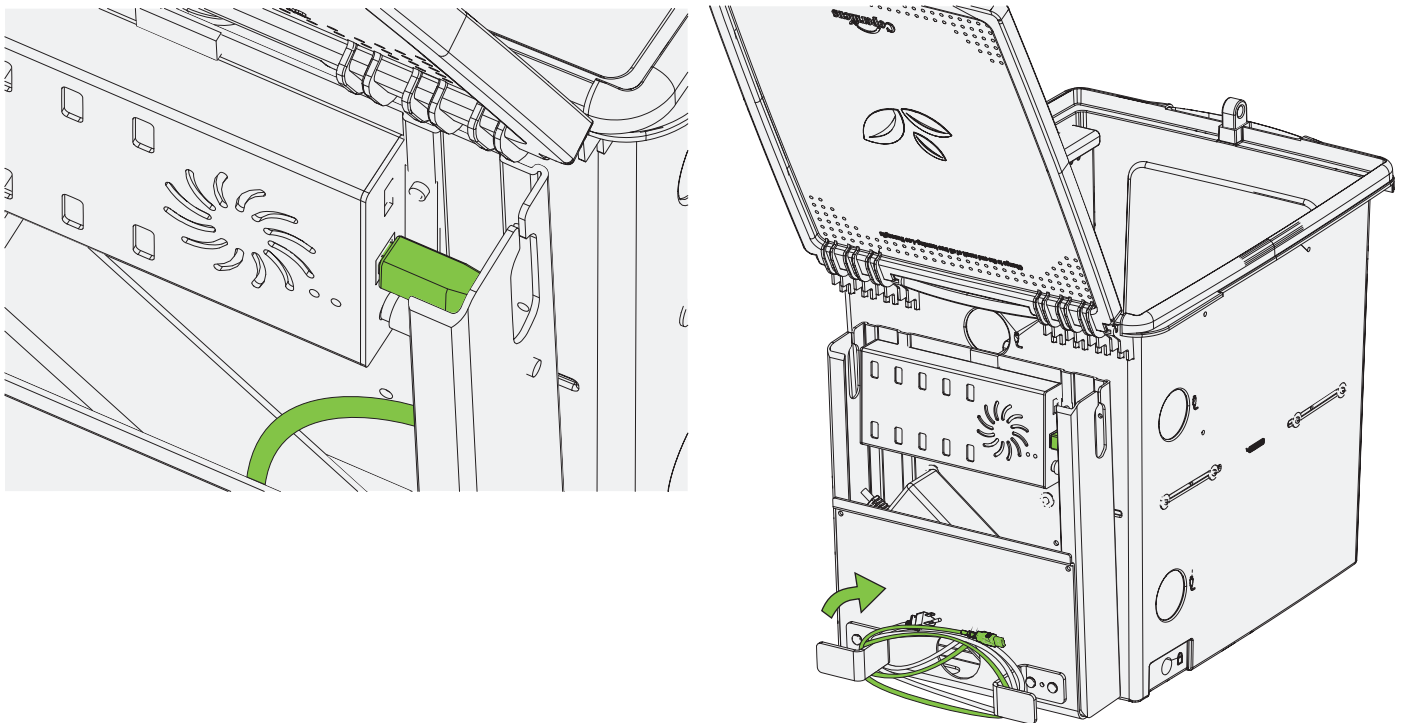
### Assemble USB Hub to the Tech Tub™



## Insert Power Adapter and Wrap Cable Around Cable Hooks



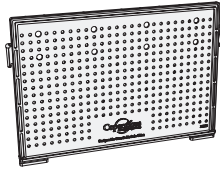
## Insert USB Cable into USB Hub and Wrap Around Cable Hooks



**!** If you have assembled your USB Hub on the outside of your Tech Tub™, please follow the remaining steps to setup the inside with your devices and cable management.  
**■** Images may show the USB Hub on the inside.

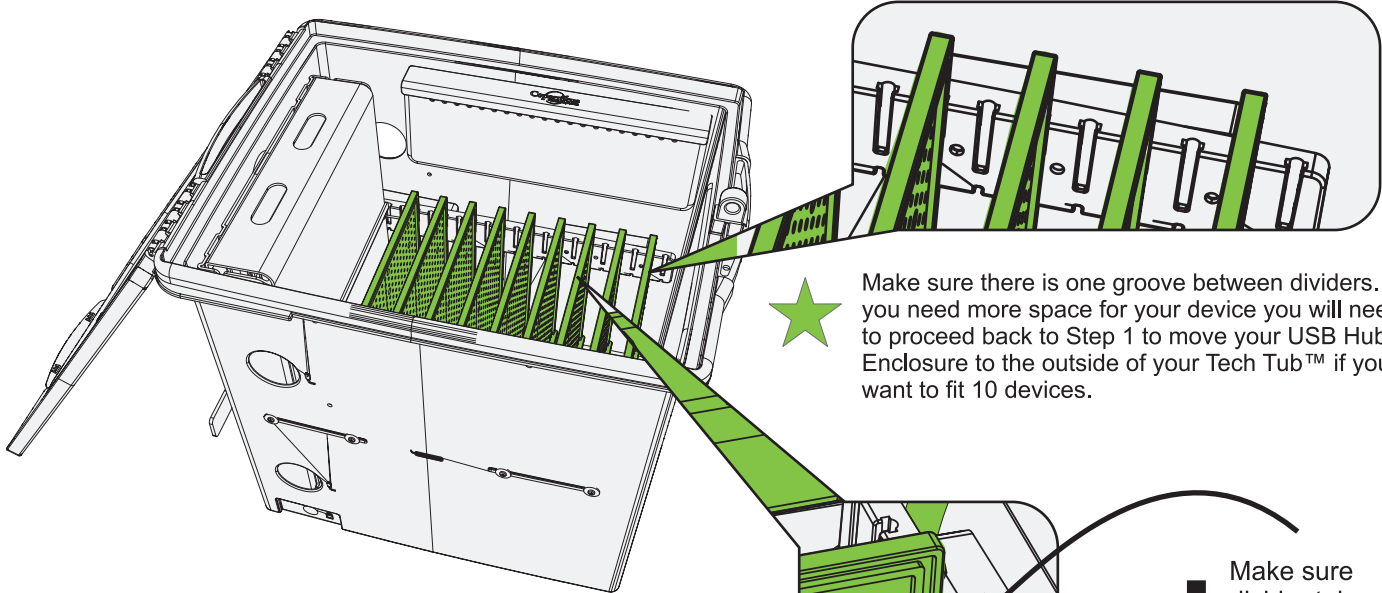
10

You will need: (Not to Scale)



Divider  
9x

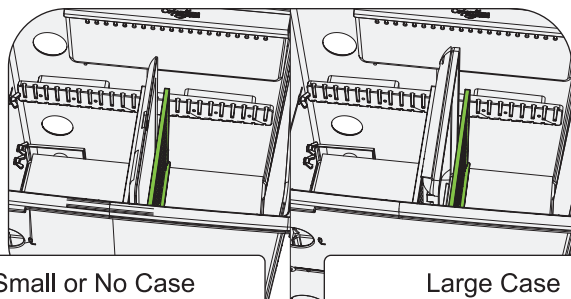
## Install Dividers



Make sure there is one groove between dividers. If you need more space for your device you will need to proceed back to Step 1 to move your USB Hub Enclosure to the outside of your Tech Tub™ if you want to fit 10 devices.

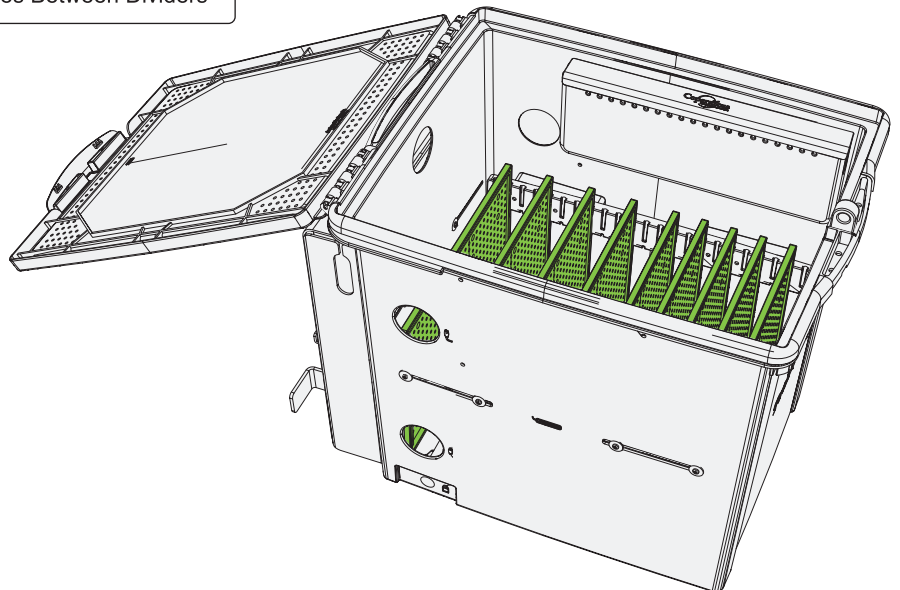


**!** Make sure divider tabs are pushed down fully.

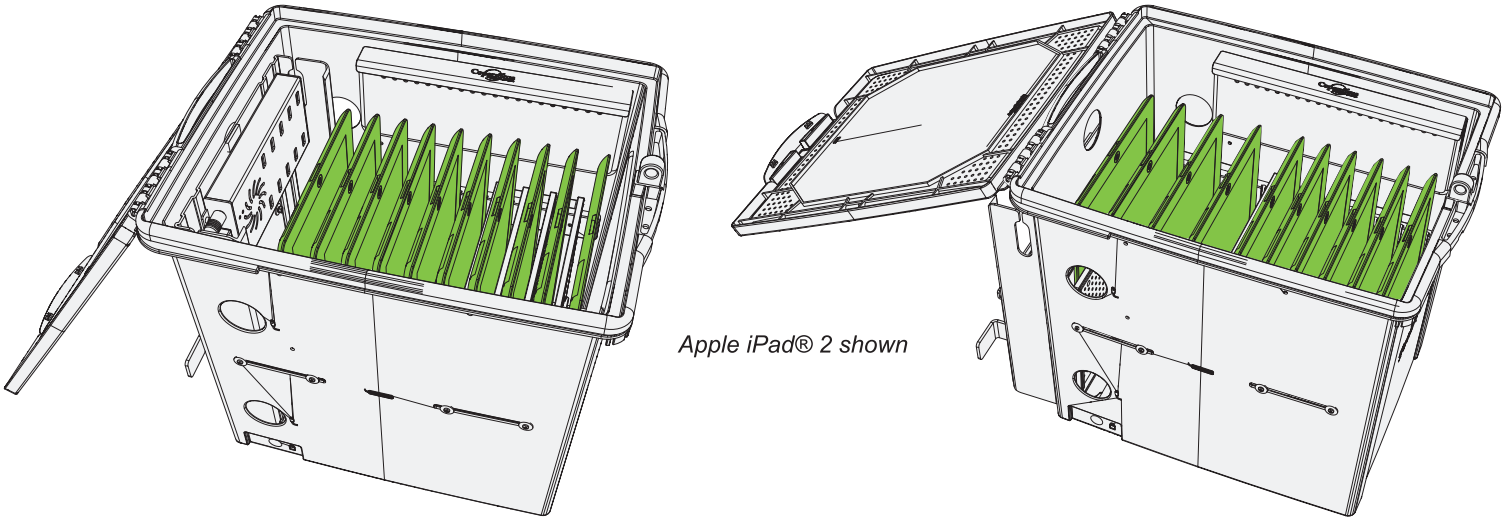


Small or No Case  
1 Groove Between Dividers

Large Case  
2 Grooves Between Dividers

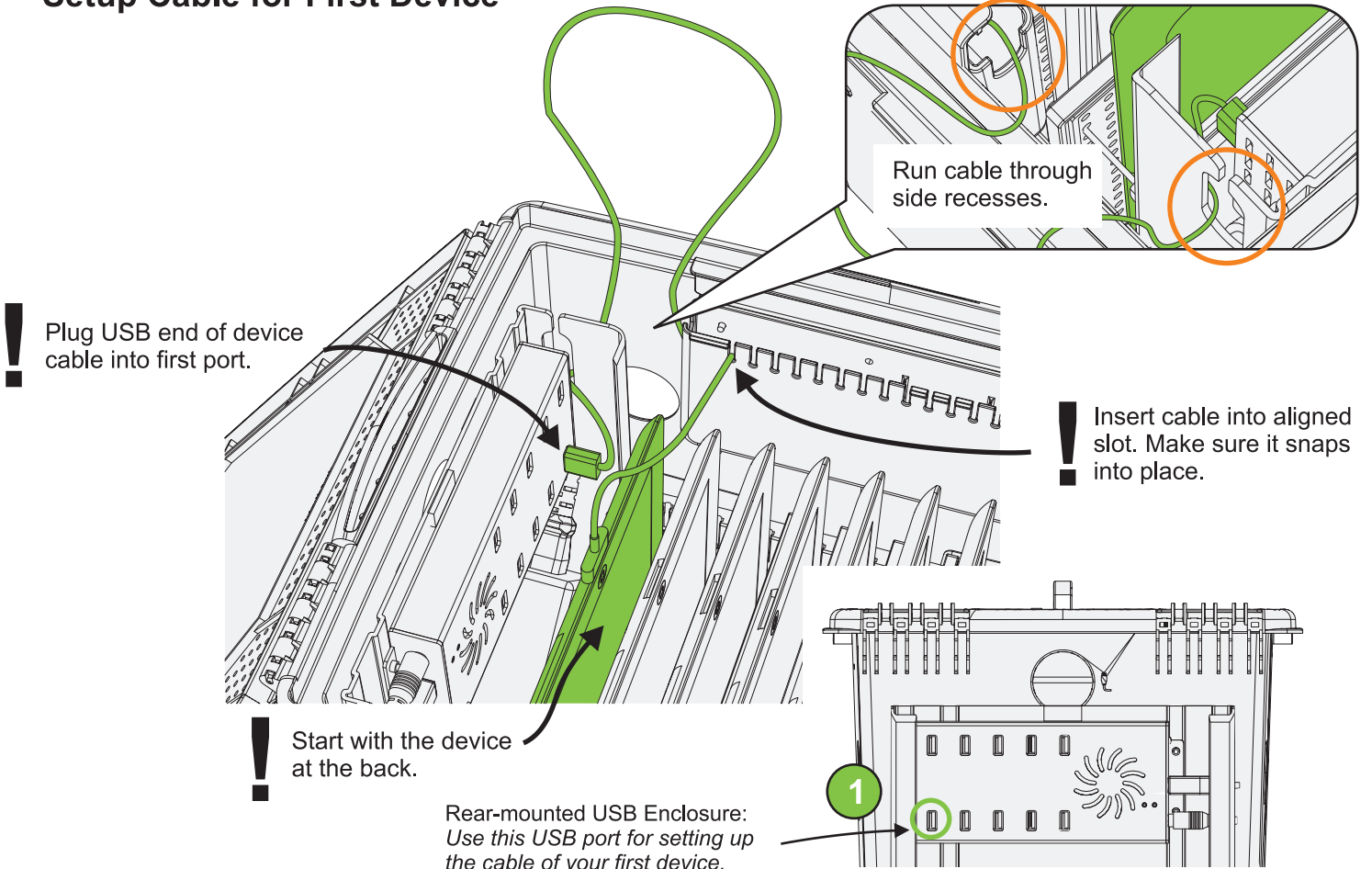


### Add Devices into Tech Tub™

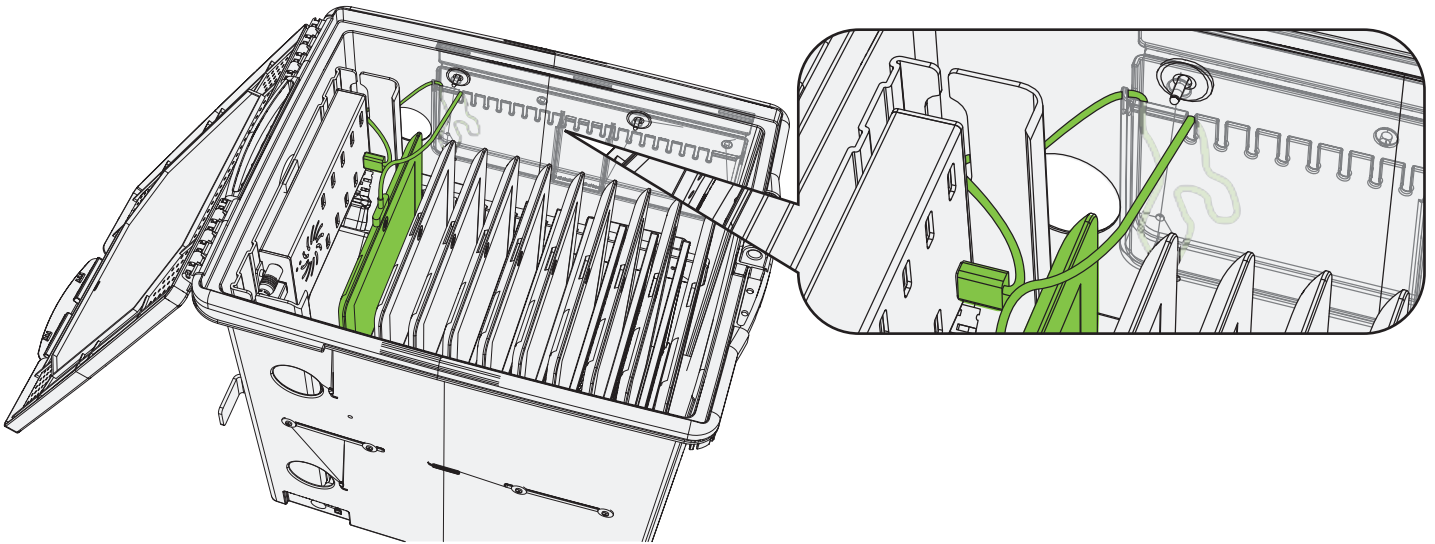


Apple iPad® 2 shown

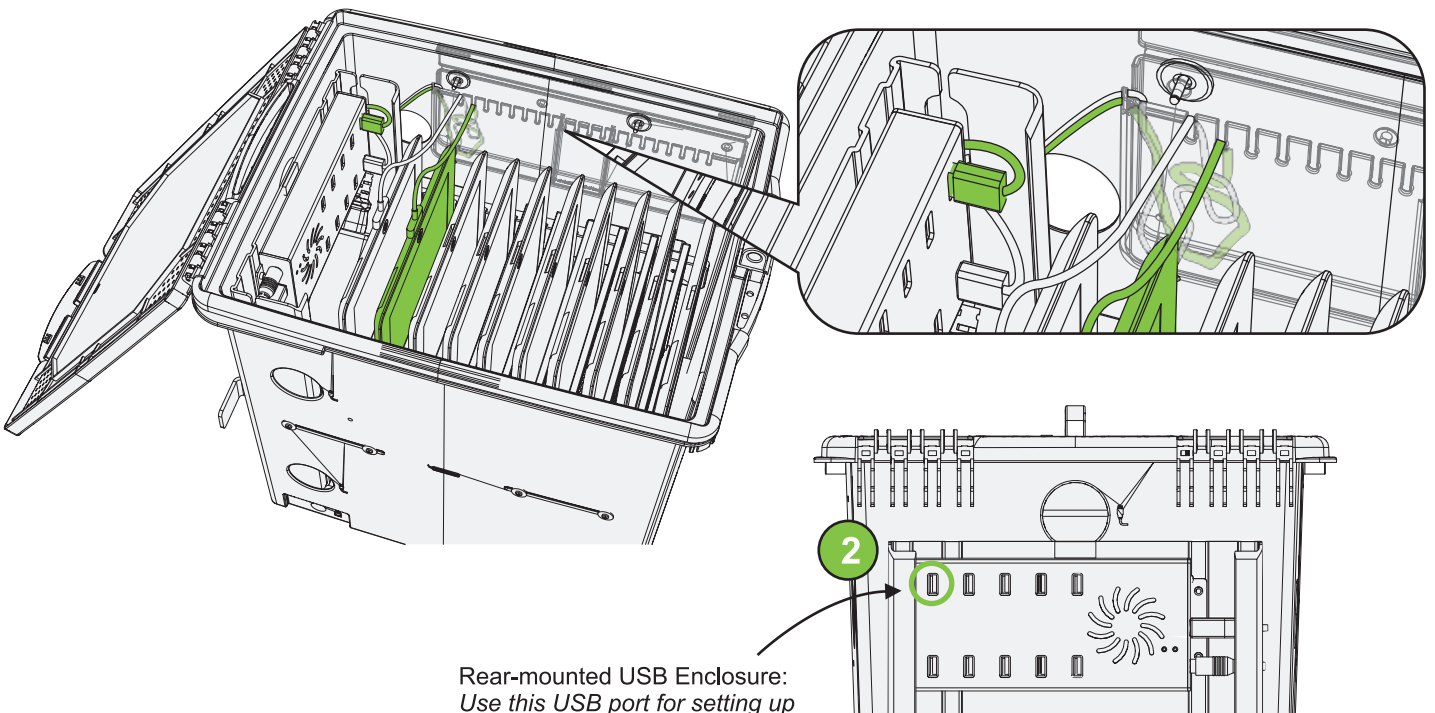
### Setup Cable for First Device



## Store Excess Cable in Cable Management Pocket



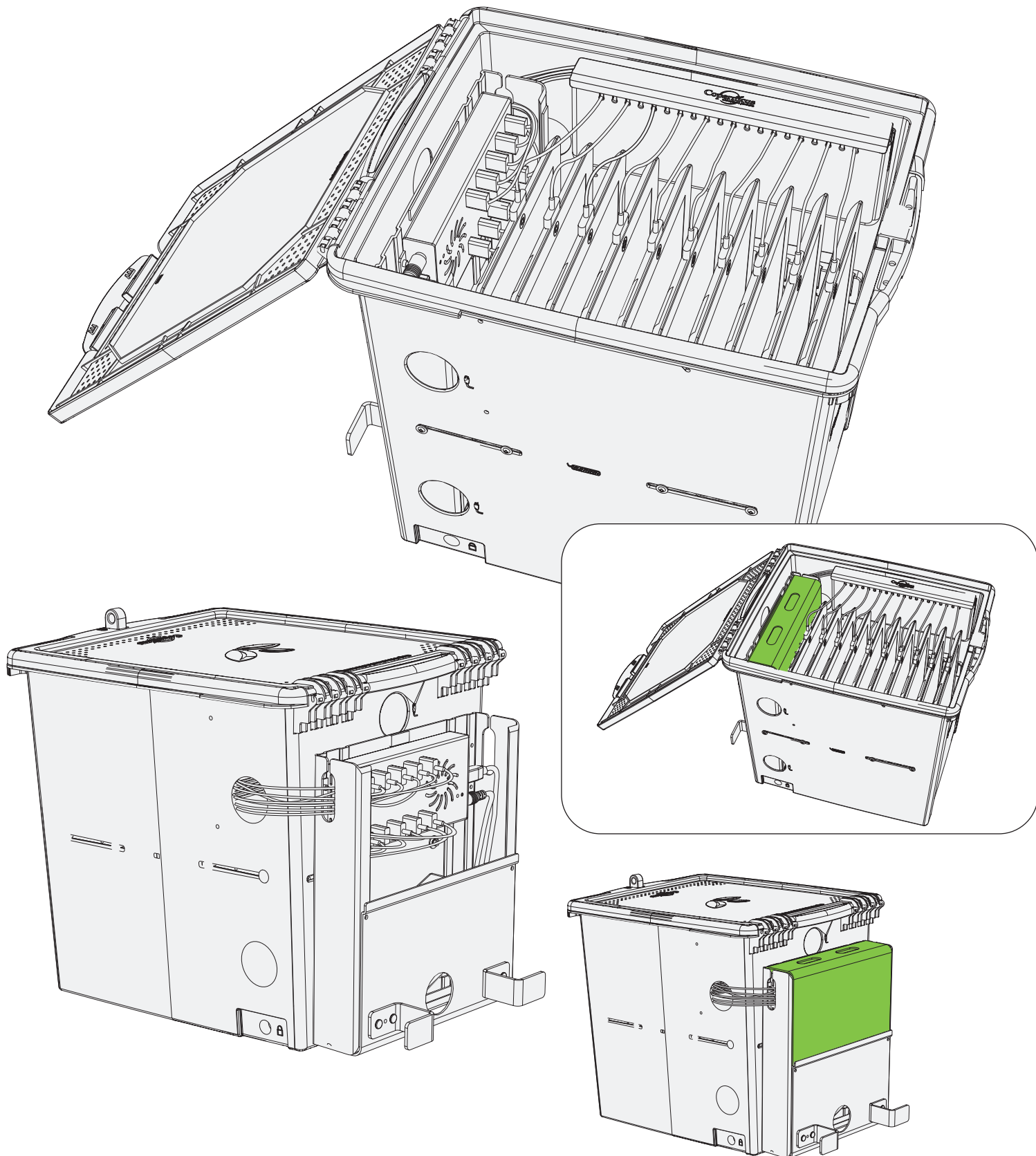
## Setup Cable for Second Device



Rear-mounted USB Enclosure:  
Use this USB port for setting up  
the cable of your second device.



## Repeat Steps 12 and 13 to Setup Remaining Devices and Replace Cover

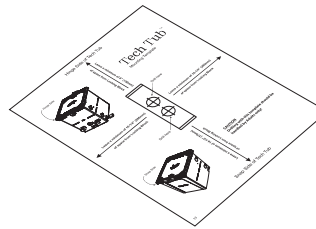


# OPTIONAL: Follow Steps 16 to 18 to install the Tech Tub™ Locking Block and Locking Pin System

16

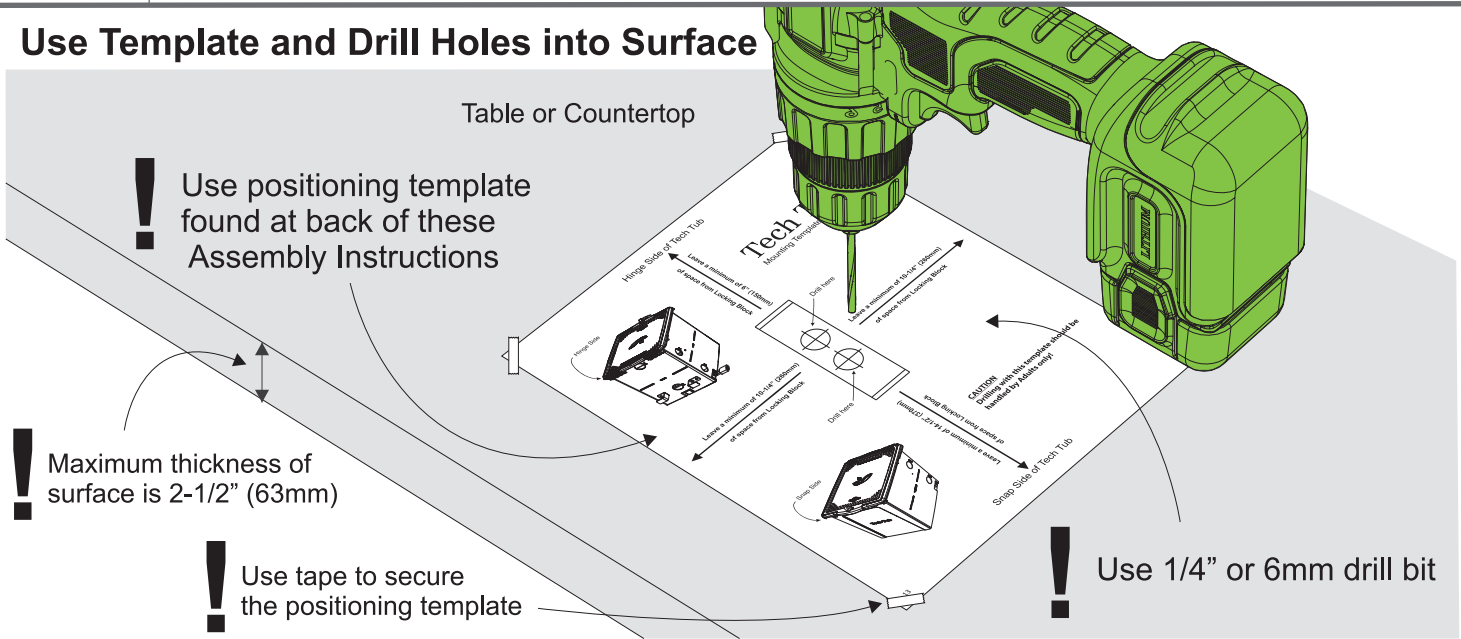
You will need: (Not to Scale)

★ This system allows you to lock your Tech Tub™ to a table or countertop. This is a really good idea if you leave your devices out in the open or your room doesn't lock. You can then lock the Tech Tub in place and lock the Tech Tub itself.



Positioning Template (found at back of this guide) 1x

## Use Template and Drill Holes into Surface



17

Actual Size:

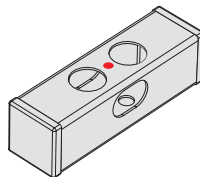
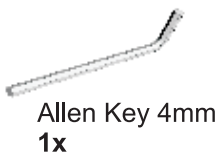


(A) M6 x 70mm 2x



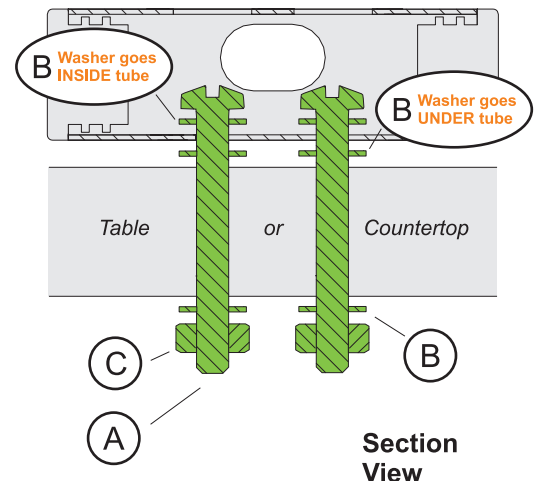
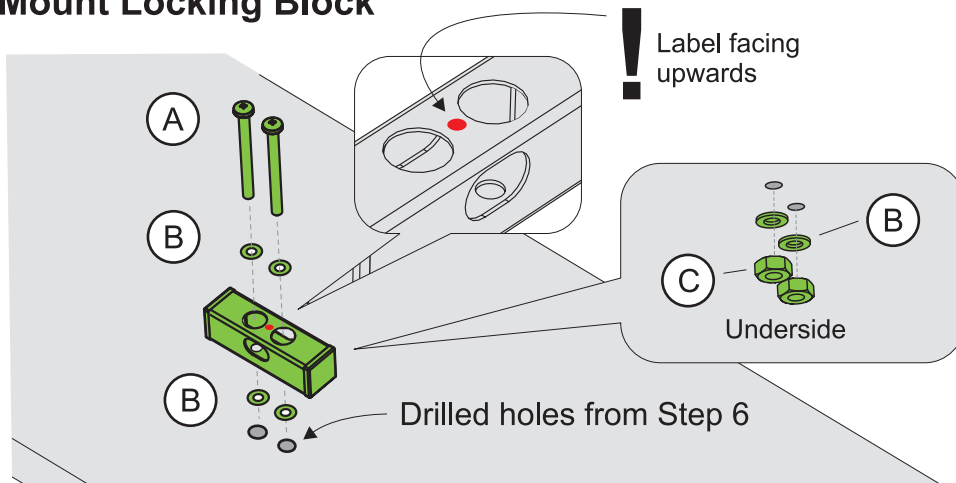
(B) M6 Washer 6x

You will need: (Not to Scale)



(C) M6 Lock Nut 2x

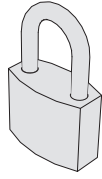
## Mount Locking Block



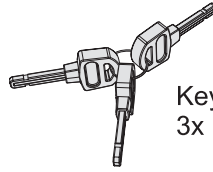
# OPTIONAL: Follow Steps 16 to 18 to install the Tech Tub™ Locking Block and Locking Pin System

18

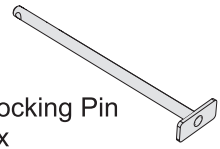
You will need: (Not to Scale)



Padlock  
1x



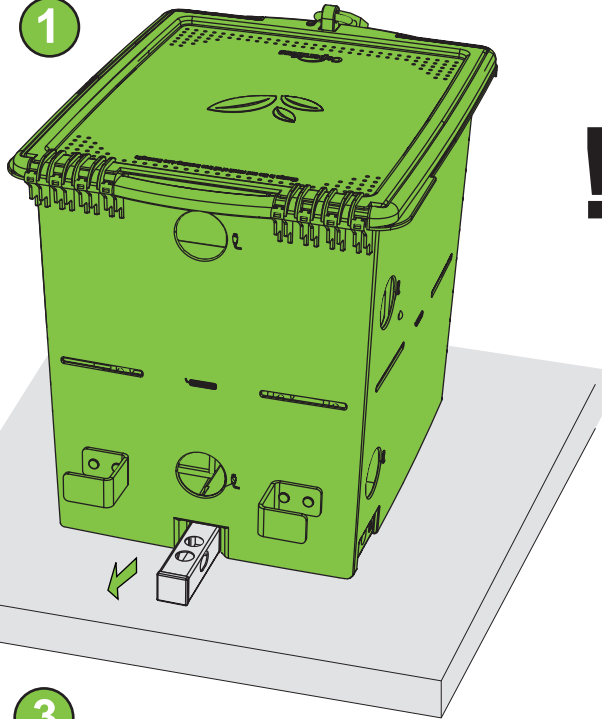
Key  
3x



Locking Pin  
1x

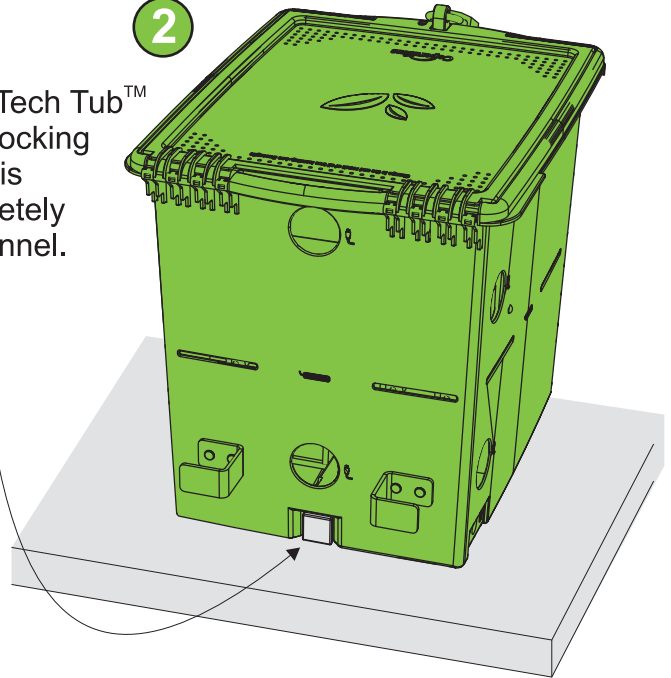
## Lock the Tech Tub™ with Locking Pin

1



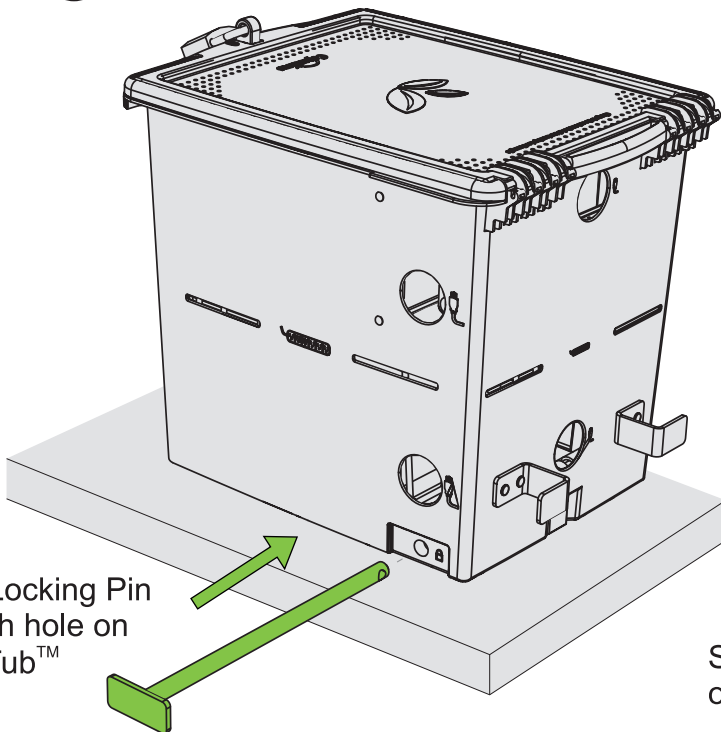
2

Push Tech Tub™ until Locking Block is completely in channel.



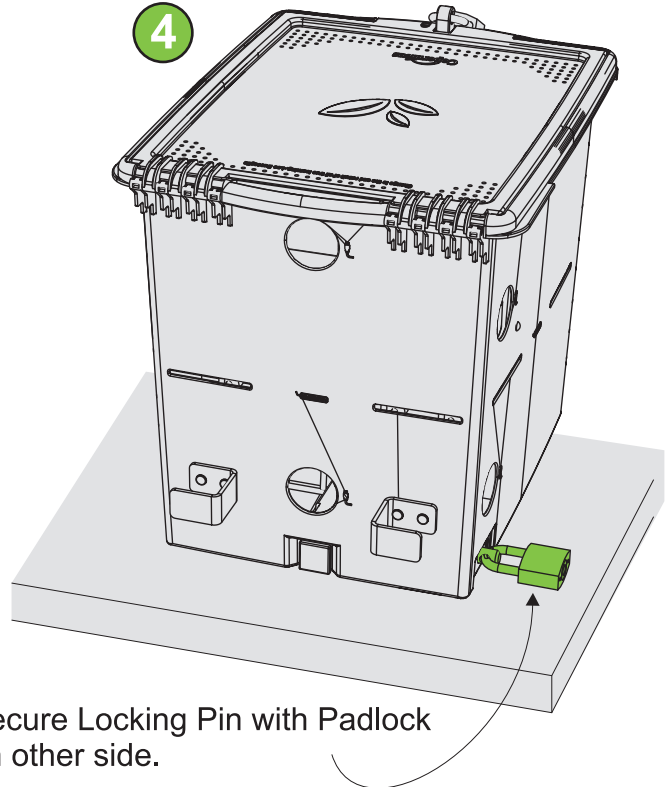
3

Slide Locking Pin through hole on Tech Tub™



4

Secure Locking Pin with Padlock on other side.



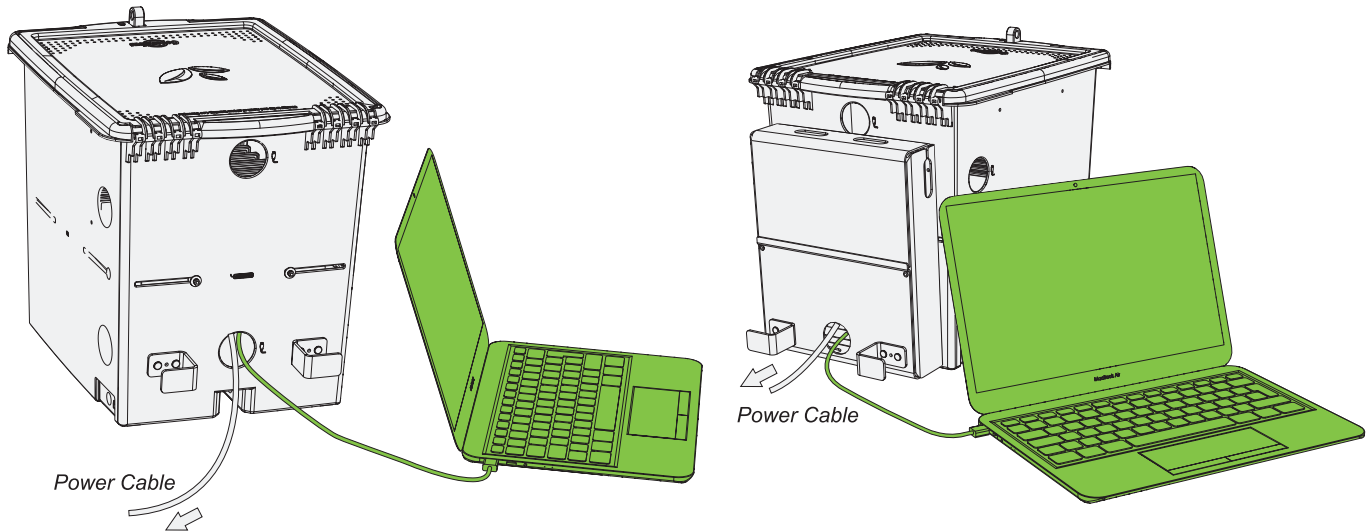




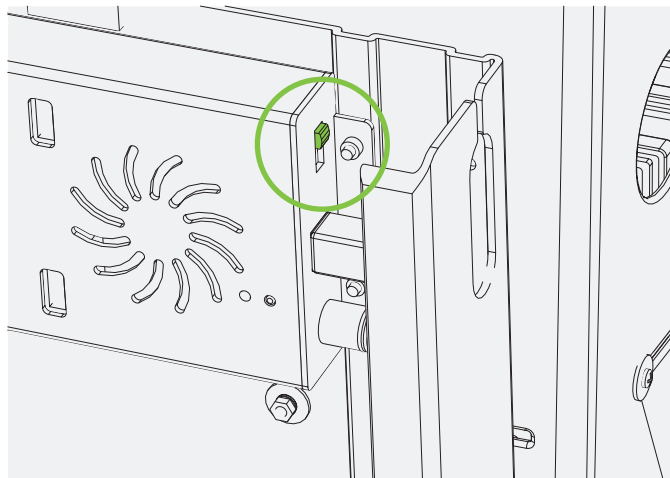
# Sync Devices using the USB Hub

- 1 Plug USB Cable into Apple MacBook

**!** These steps apply to Apple® products only!  
(e.g. iPad®, iPad Mini™, iPod®)



- 2 Turn on USB Hub. Make sure all devices are plugged in and USB Hub is plugged into outlet.



- 3 Use Apple Configurator for on your MacBook. Works with Macbooks running OS X 10.10.3 or later.



Scan this QR Code for resources on how to setup your devices with Apple Configurator.

<https://itunes.apple.com/us/itunes-u/ipad-management-using-apple/id567514148?mt=10>





# Tips for Use

## Device Management

Keeping track of your devices can be made even easier by creating a sign-out program.

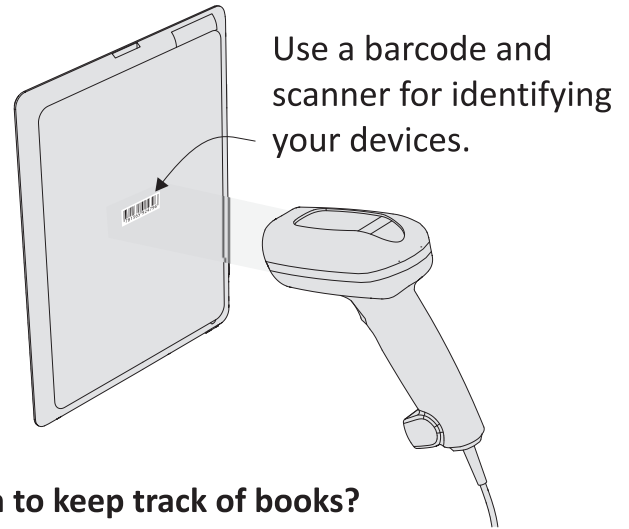
There are many automated software solutions available that make setting up and running a device check-out program very easy.

Here is a list of some companies and their products:

*ResourceMate*® - [www.resourcebate.com](http://www.resourcebate.com)

*Neuton Data Systems* - [www.neuton.net](http://www.neuton.net)

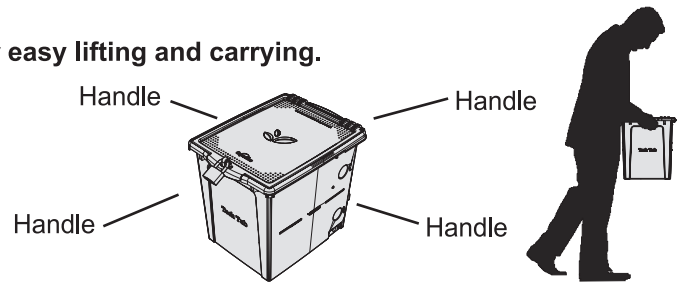
*IntelliScanner* - [www.intelliscanner.com](http://www.intelliscanner.com)



**★ Does your school already use an automated system to keep track of books? You could use this system to also keep track of your devices!**

## Carrying your Tech Tub™

Use the Handles along the sides of the Tech Tub™ for easy lifting and carrying.



# Tech Tub™ Carts

For additional storage and mobility, check out our line of Tech Tub™ Carts!



**Tech Tub™ Trolley**



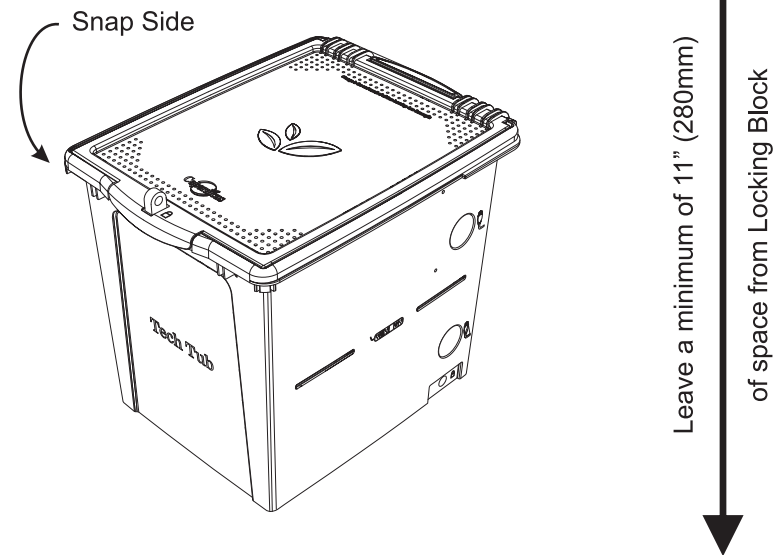
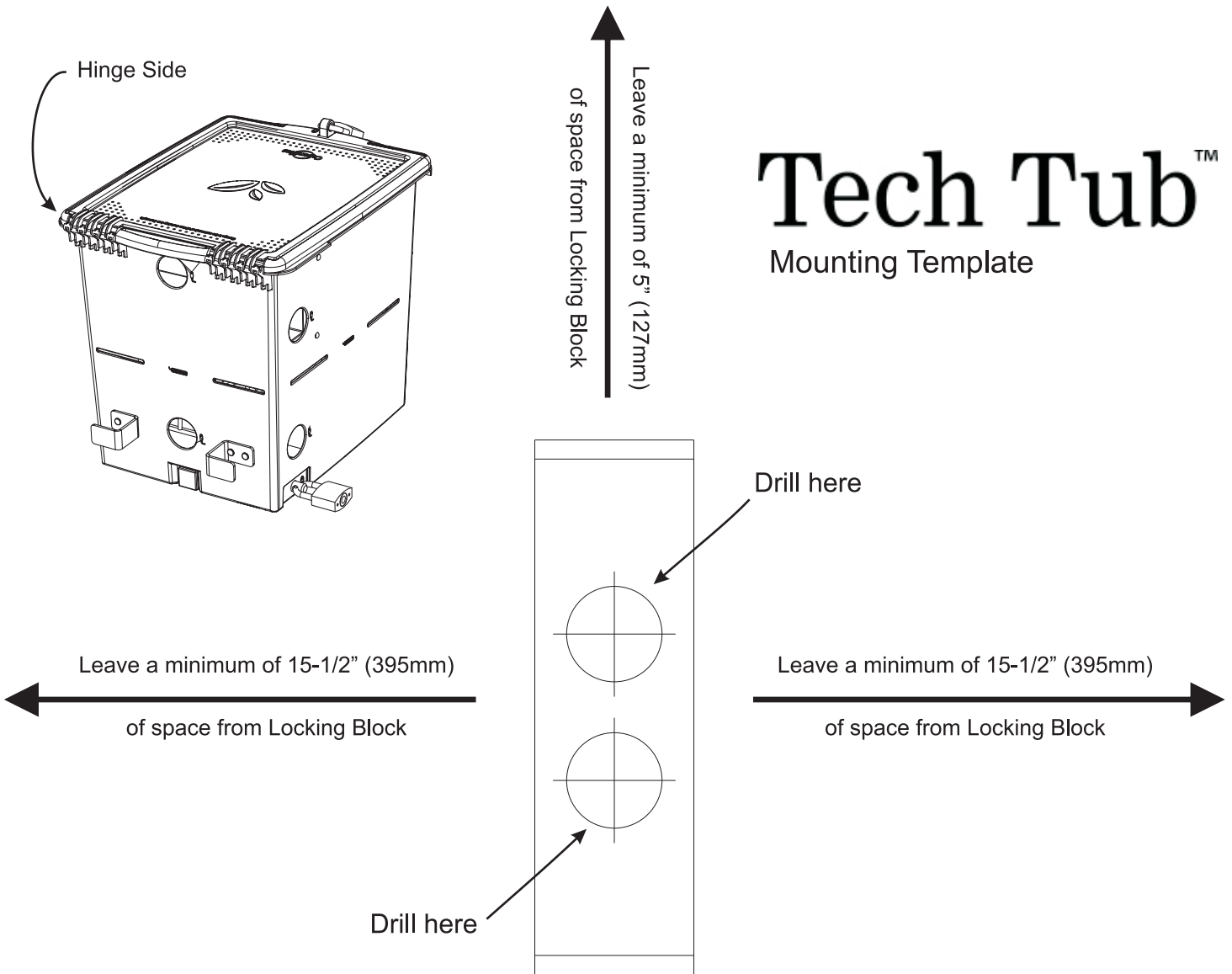
**Stores 2 Tech Tub™s**



**Stores 4 Tech Tub™s**



# Hinge Side of Tech Tub



**CAUTION**  
Drilling with this template should be handled by Adults only!

# Snap Side of Tech Tub

