

Division of Foundations® Worldwide, Inc.

• 7001 Wooster Pike, Medina, OH 44256 USA • PH: 1 877.716.2757 (U.S. Only) or +1 330.722.5033 • FAX: +1 330.722.5037  
 • www.childcraft-furniture.com / www-foundations.com

# THIS IS THE ASSEMBLY INSTRUCTIONS FOR CRIBS SOLD IN THE UNITED STATES

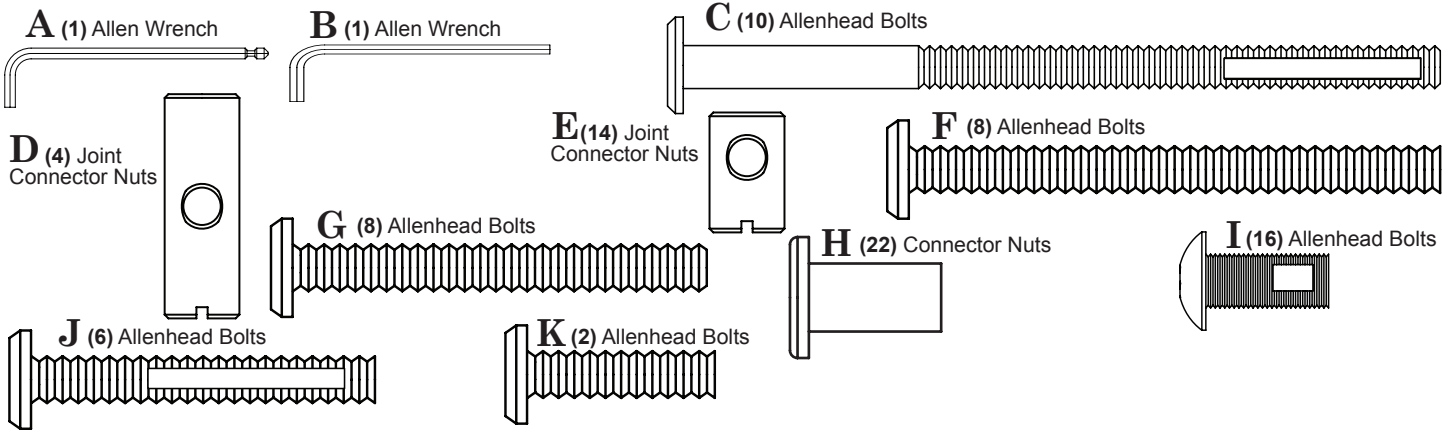
## ASSEMBLY DIRECTIONS AND PARTS LIST

Directions for Maintenance, Cleaning, Storage and Use of your Crib/Toddler Bed are also included.

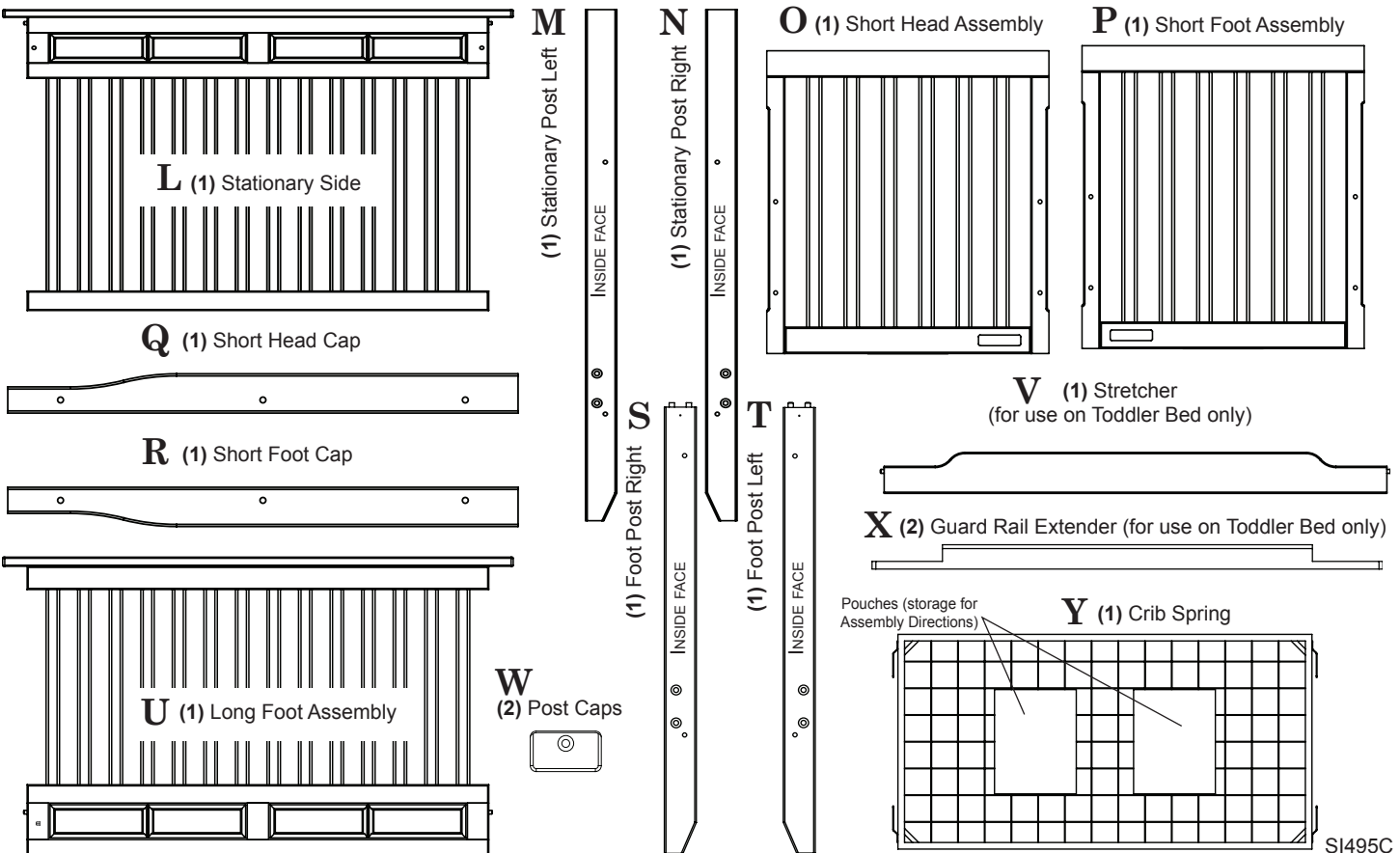
●BEFORE STARTING THE ASSEMBLY PROCEDURE, READ ALL DIRECTIONS WITH CARE.

●YOU WILL NEED THE FOLLOWING FOR THE ASSEMBLY OF YOUR CRIB/TODDLER BED: ✓Flat Tipped Screwdriver ✓enclosed Allen Wrenches A&B)

### PARTS ENCLOSED IN HARDWARE BAG



### PARTS ENCLOSED IN CARTON



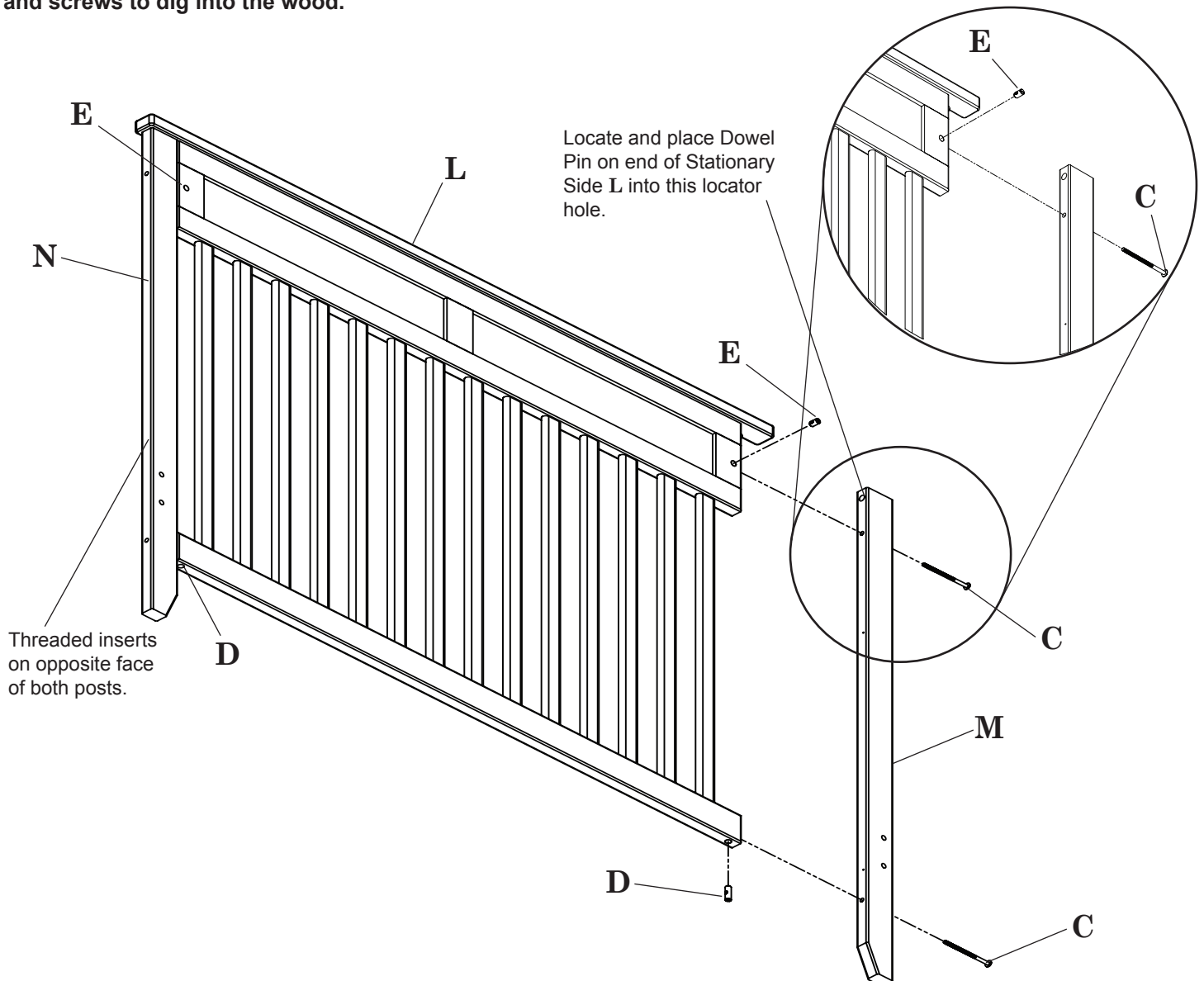
## PREPARATION

Carefully remove and lay out all hardware and parts. Check quantities and match the Hardware List and the Parts List. **NOTE: During the assembly process whenever using screws or bolts, check each with the Hardware List by letter and size identification. Place each screw or bolt on the diagram of the item which is sketched actual size. Be sure to use the proper size specified in the assembly directions.** If any parts are missing or broken or you need assistance with assembly, DO NOT return the product to your dealer. Call Foundations® for assistance at 1 877.716.2757 (U.S. Only) or +1 330.722.5033 (Monday through Friday, 9:00 a.m.– 4:00 p.m. Eastern Time). Please identify the Crib'n'Double Bed by the model identification number stamped on the inside face of short head or short foot assemblies, available when you call or write us at: Foundations®, 7001 Wooster Pike, Medina, OH 44256 USA. Make note of all identification numbers and include this information with your request. **DO NOT SUBSTITUTE PARTS!** Record your model identification number here for future identification: **Model #** \_\_\_\_\_

### STEP 1 - DIAGRAM 1: ATTACHING STATIONARY POSTS TO STATIONARY SIDE

Attach Stationary Posts M & N to Stationary Side L by inserting Joint Connector Nuts E into the locator holes in the inside of the top rail and Joint Connector Nuts D into the locator hole in the bottom of the bottom rail of Stationary Side L, then insert Allenhead Bolts C through their locator holes in Posts M & N. Thread Allenhead Bolts C into both Joint Connector Nuts E and D but leave slightly loose until both posts are attached. Tighten all Allenhead Bolts C securely using Allen Wrench A.

**NOTE: Tighten securely means a good snug fit, do not allow the heads of bolts and screws to dig into the wood.**

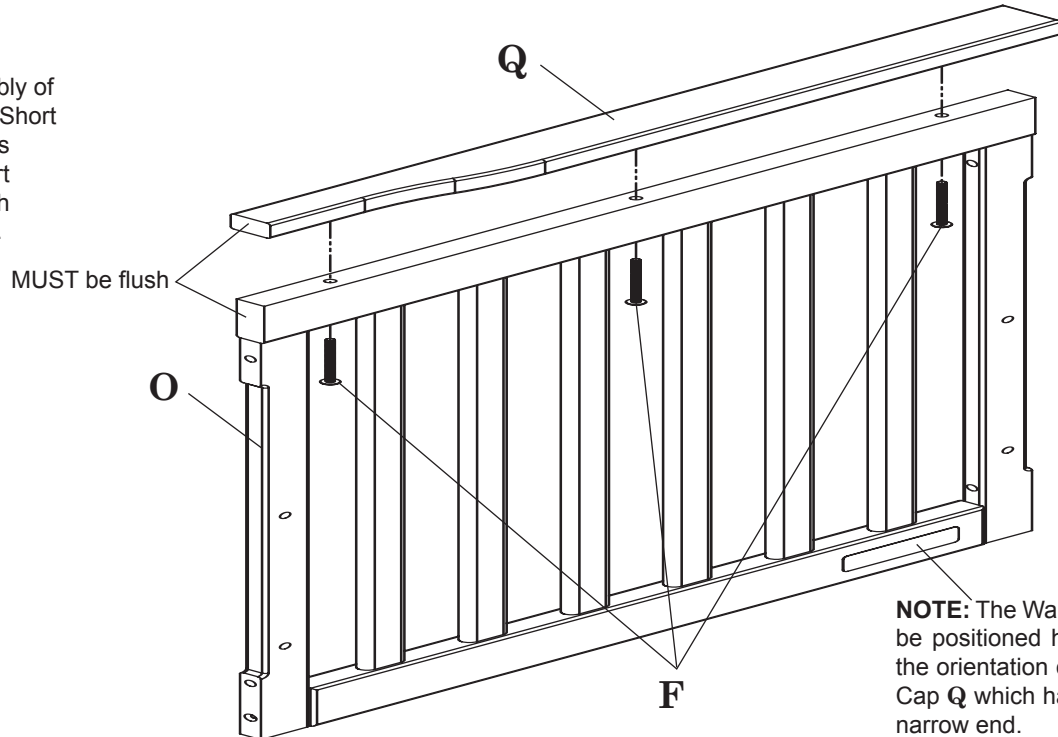


## STEP 2 - DIAGRAM 2: ASSEMBLE SHORT HEAD CAPS TO SHORT HEAD/FOOT ASSEMBLIES

Attach Short Head Cap **Q** to Short Head Assembly **O** by inserting Allenhead Bolts **F** through their locator holes in bottom of top rail of Short Head Assembly **O** into threaded inserts located in bottom of Short Head Cap **Q**. Leave Allenhead Bolts **F** slightly loose until all Allenhead Bolts **F** are installed. Tighten all Allenhead Bolts **F** securely using Allen Wrench **A**.

Repeat this step to attach Short Foot Cap **R** to Short Foot Assembly **P**.

**NOTE:** During assembly of Short Head Cap **Q** to Short Head Assembly **O**, it is important to hold Short Head Cap **FLUSH** with Short Head Assembly.

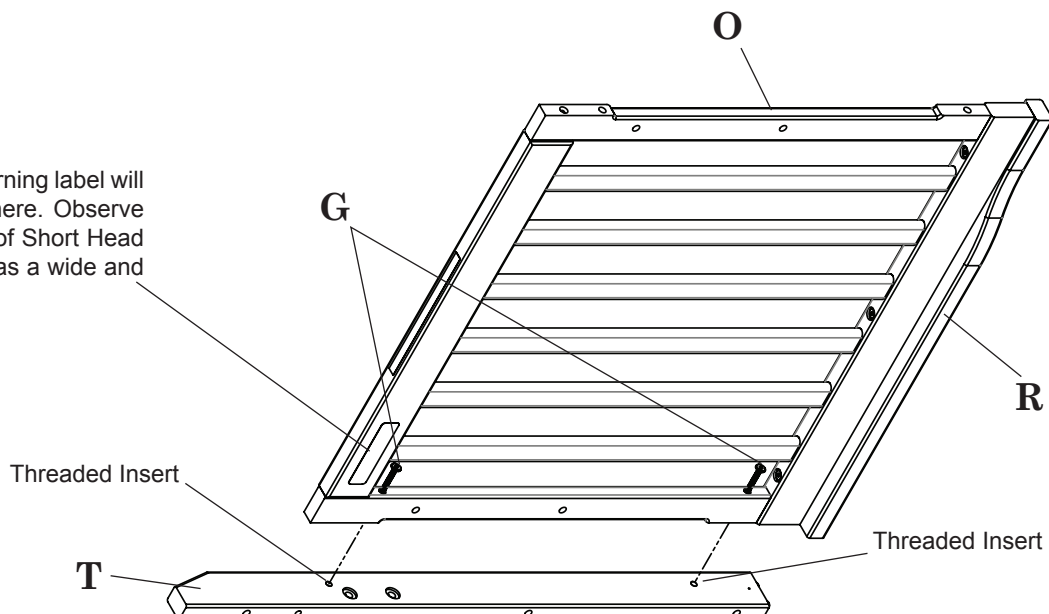


## STEP 3 - DIAGRAM 3: ATTACHING FOOT POSTS TO SHORT HEAD AND FOOT ASSEMBLY

Attach Foot Post - Left **T** to Short Head Assembly **O** by inserting Allenhead Bolts **G** through their locator holes in Short Head Assembly **O** into threaded inserts in Foot Post - Left **T**. Tighten all Allenhead Bolts **G** securely using Allen Wrench **A**.

Repeat this step to attach Attach Foot Post - Right **S** to Short Foot Assembly **P**.

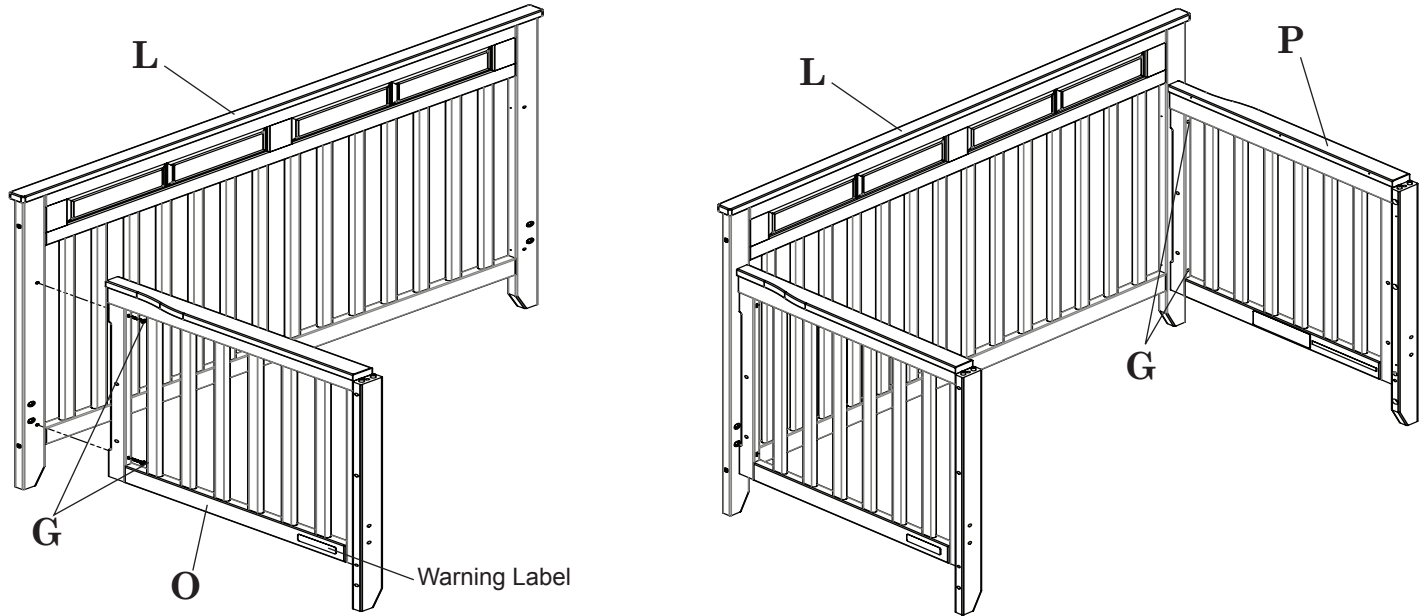
**NOTE:** The Warning label will be positioned here. Observe the orientation of Short Head Cap **R** which has a wide and narrow end.



### STEP 4 - DIAGRAM 4: ATTACHING SHORT HEAD CAP TO STATIONARY SIDE

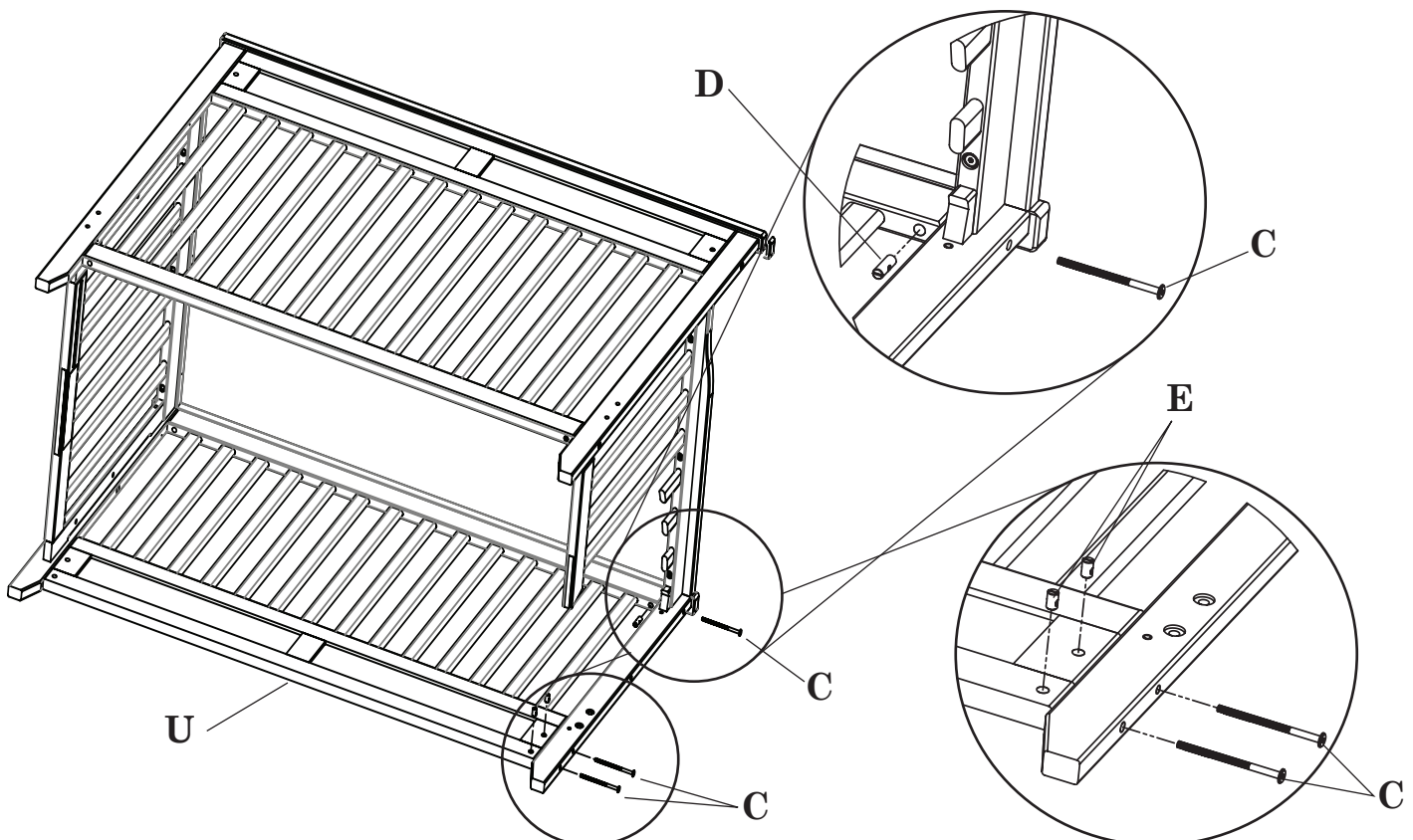
Attach Short Head Assembly **O** to Stationary Side **L** by inserting Allenhead Bolts **G** through their locator holes in Short Head Assembly **O** into threaded inserts in Stationary Side **L**. Tighten all Allenhead Bolts **G** securely using Allen Wrench **A**. NOTE: Warning label on end of Short Head Assembly **O** MUST be on the outside facing away from crib.

Repeat this step to attach Short Foot Assembly **P** to opposite end of Stationary Side **L**.



### STEP 5 - DIAGRAM 5: LONG FOOT ASSEMBLY

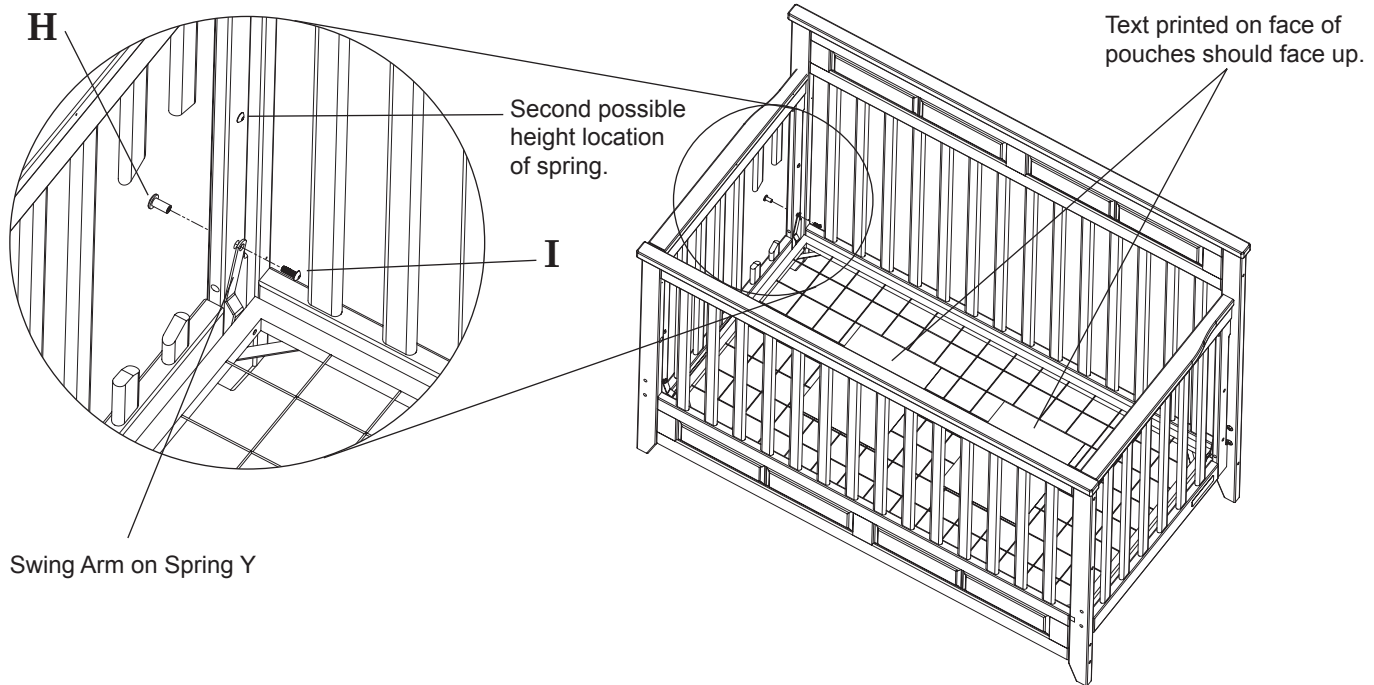
Allow dowel pins on both ends of Long Foot Assembly **U** to enter hole in posts **S** and **T**. Also install dowels on top end of posts **S** and **T** into groove in underside of top cap on Long Foot Assembly **U**. Insert Allenhead Bolt **C** through Foot Post into Joint Connector Nut **D** in top of Long Foot Assembly **U**. Insert Allenhead Bolts **C** through Foot Post into Joint Connector Nuts **E** in Bottom of Long Foot Assembly **U**. Align threads on all bolts and connectors and thread together. Tighten all Allenhead Bolts **C** securely using Allen Wrench **A**.



## STEP 6 - DIAGRAM 6: ATTACHING SPRING TO CRIB

Before installing Spring S, determine the height for installation. Pull out "Swing Arms" to the approximate angle as shown. With the help of a friend, carefully lower Spring Y into the assembled crib to the selected height. Insert Allenhead Bolts I into the locator holes in the "Swing Arms" and through the locator holes in Short Head/Foot Assembly O & P. From the outside of the assembled crib, insert Connector Nuts H into their locator holes and thread onto Allenhead Bolts I. Tighten securely using Allen Wrench A with Bolts I and Allen Wrench B with Connector Nuts H. Also install Allenhead Bolts I and Connector Nuts H in the spring height locator holes not used at this time.

To adjust height of Spring Y, unthread the Allenhead Bolts I and Connector Nuts H and move Spring Y to the other height location shown on the diagram. Then follow the same process for attaching the Spring Y at its new location by following the process described above.

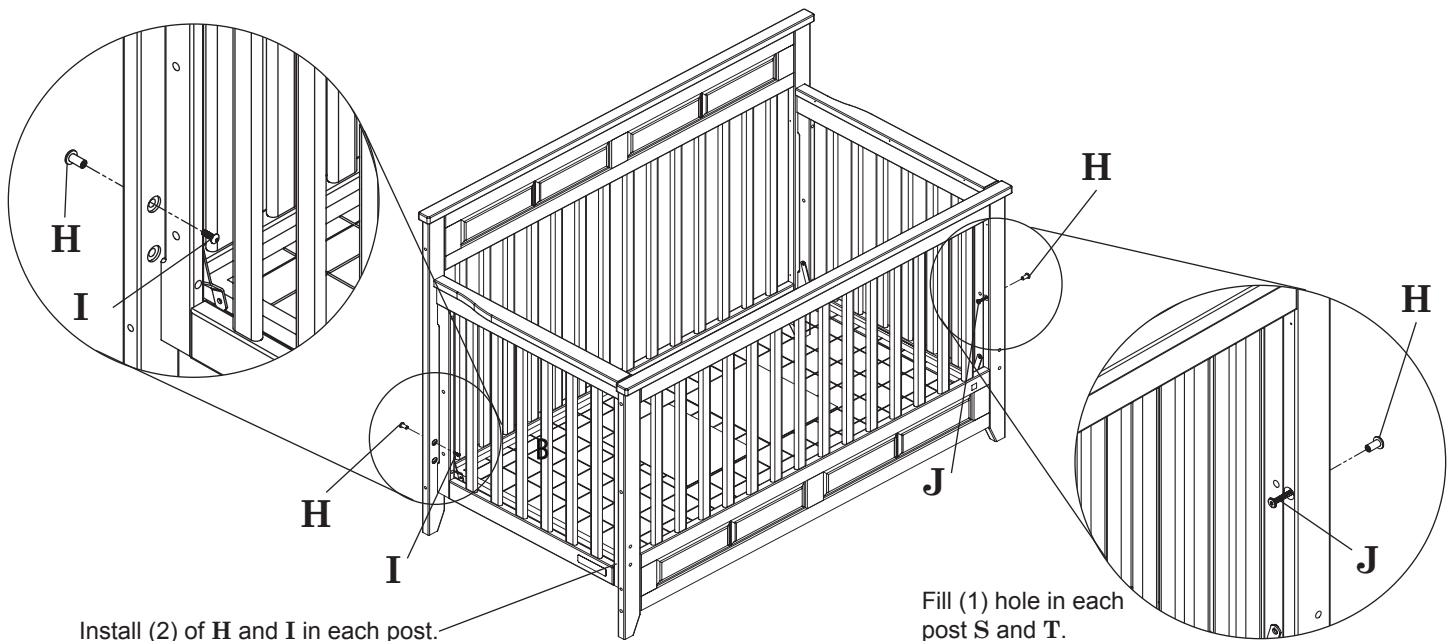


Swing Arm on Spring Y

## STEP 7 - DIAGRAM 7: FILLING EMPTY HOLES IN CRIB

Insert Allenhead Bolts I & J and Connector Nuts H into the empty holes in posts. Tighten securely using Allen Wrench A with Bolts I and J and Allen Wrench B with Connector Nuts H as shown below. Before installing mattress, see mattress size requirements under CAUTION on page 10 and MAINTENANCE section on page 10. Also review WARNINGS on page 11.

Instructions should be stored in pouch attached to crib spring for future use. DO NOT store any hardware in this pouch.



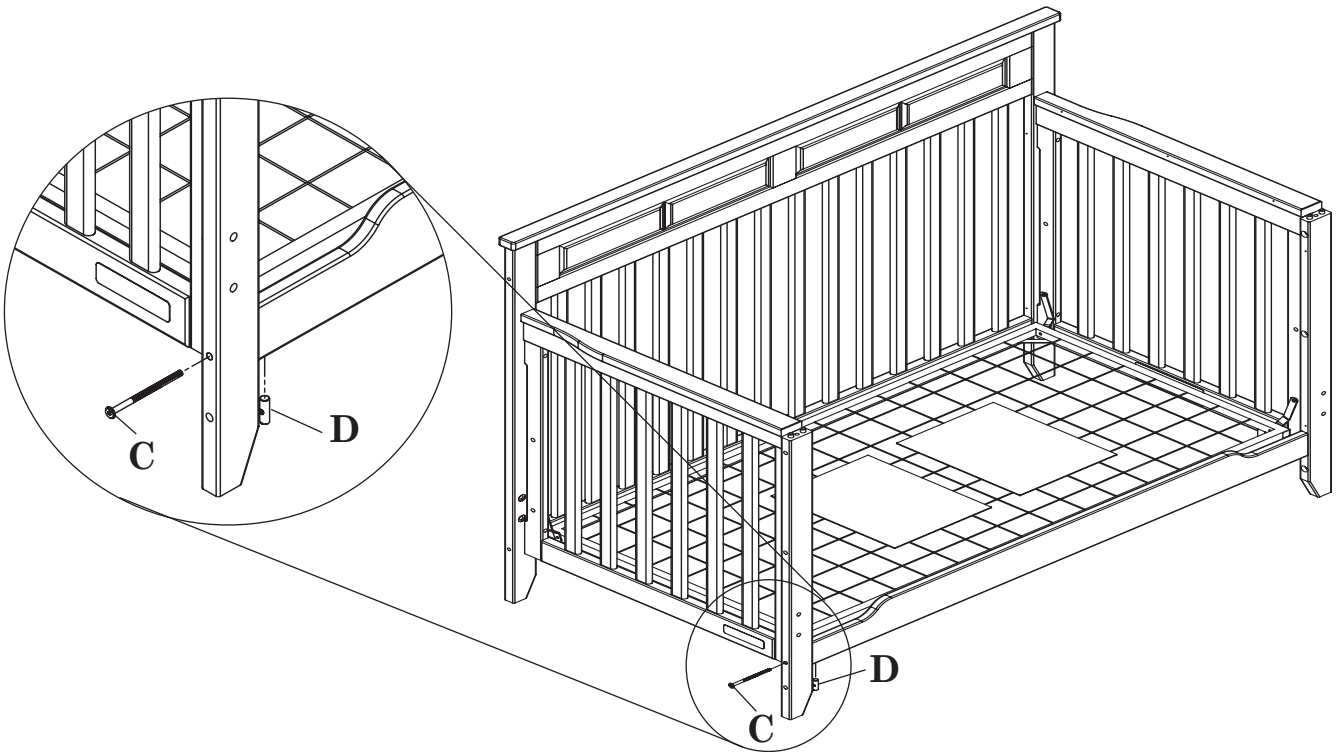
Install (2) of H and I in each post.

Fill (1) hole in each post S and T.

### STEP 8 - DIAGRAM 8: CONVERT "CRIB" TO A "TODDLER BED"

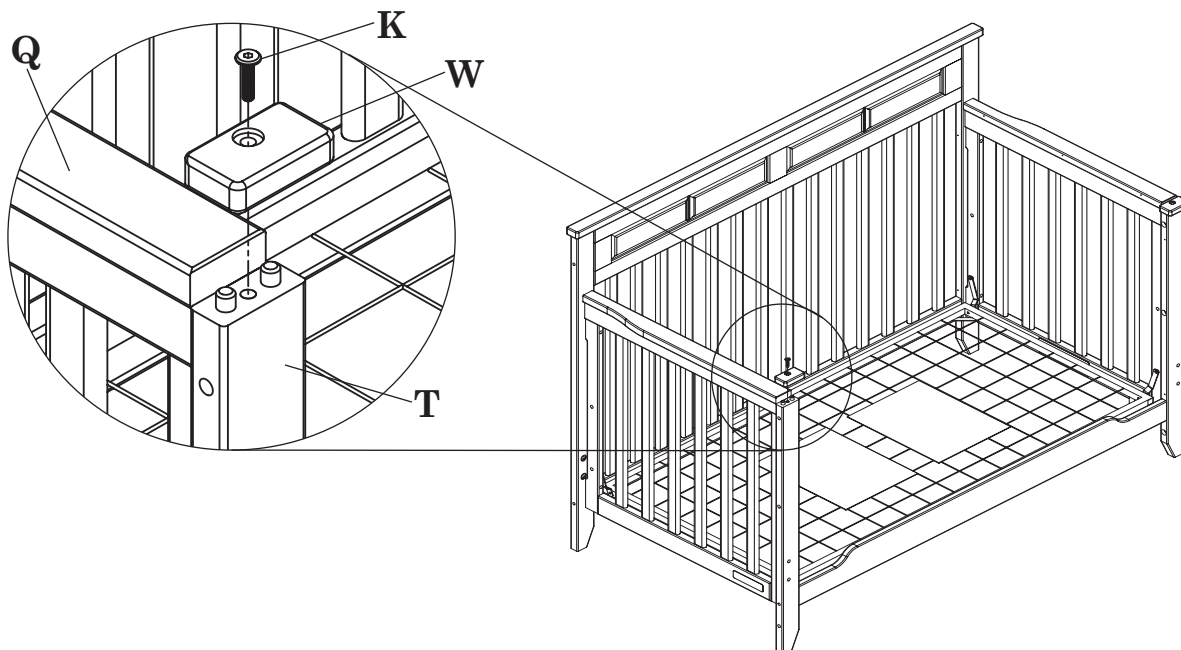
When use as a crib has been completed, you have the option to convert to a Toddler Bed for years of additional use in your child's room. Remove mattress. **Spring Y must be installed in lowest position.** Refer to **STEP 5 - DIAGRAM 5** and remove and store (see Storage on page 10) Long Foot Assembly U by removing Allenhead Bolts C and Joint Connector Nuts D and E. Stretch Foot Posts S and T apart just enough to allow the wood dowels on Stretcher V to fit into their locator holes in Foot Posts S & T. Use Allenhead Bolts C and Joint Connector Nuts D you removed from Long Foot Assembly U to attach Crib Stretcher V to Foot Posts S & T as shown. Tighten securely using Allen Wrench A.

Store the removed parts and hardware in the event you wish to convert your Toddler Bed back to a crib. **Do not store extra hardware in pouch.**



### STEP 9 - DIAGRAM 9: ATTACH POST CAPS TO POSTS

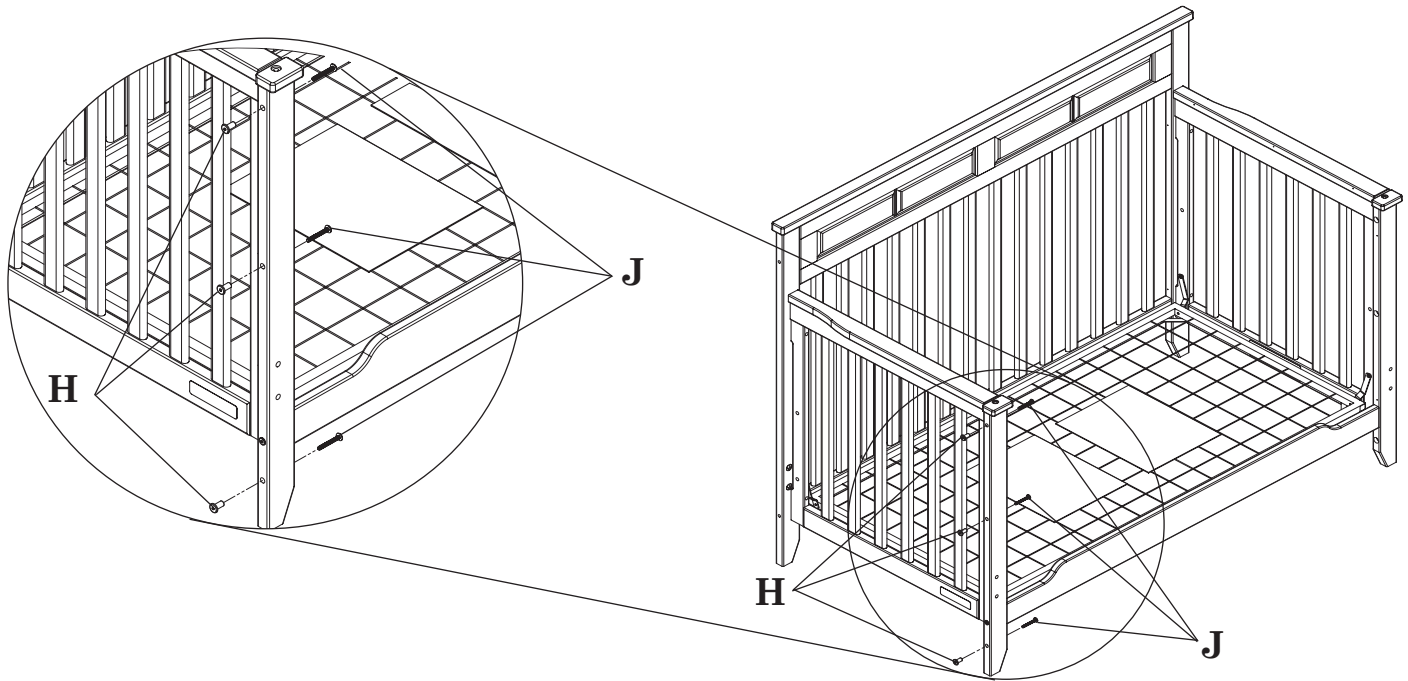
Align dowel pins on post with holes in Post Caps W and press Post Caps W down over dowel pins. Insert Allenhead Bolts K through Post Caps W and tighten securely into threaded insert in top of posts S and T using Allen Wrench A.



## STEP 10 - DIAGRAM 10: FILLING EMPTY HOLES IN POSTS

Insert Allenhead Bolts **J** and Connector Nuts **H** into the empty holes in posts. Tighten securely using Allen Wrench **A** and **B** as shown below.

**IMPORTANT!** refer to warnings on page 8 before using as Toddler Bed.

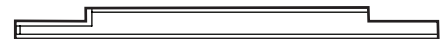


## INSTALLING A GUARD RAIL

A Guard Rail can be purchased for added security. Follow the directions on the instruction sheet included with the Guard Rail.

You will need (2) Guard Rail Extenders **X** and (4) of Allenhead Bolts **C** from this crib.

Fill all empty holes in Foot Posts **S** and **T** as directed in step 10 above.



 **WARNING (For Toddler Bed)**

- **Infants have died in toddler beds from entrapment and strangulation. Failure to follow these warnings and the assembly instructions could result in serious injury or death.**
- **NEVER use bed with children under 15 months.**
- **The users maximum weight shall not be greater than 50 lbs. (22.7 kg).**
- **NEVER place bed near windows where cords from blinds or drapes may strangle a child.**
- **DO NOT place items with a string, cord, or ribbon around a child's neck, such as hood strings or pacifier cords.**
- **DO NOT suspend strings over a toddler bed for any reason.**
- **The mattress intended for use on the bed shall be a full-size crib mattress having minimum dimensions of 51-5/8 in. (1310 mm) in length and 27-1/4 in. (690 mm) in width and a minimum of 4 in. (100 mm) in thickness, but not to exceed 6 in. (150 mm).**
- **Mattress MUST be moved into lowest position for proper positioning behind stretcher. It is very important that stretcher V is used to prevent the mattress from moving and creating a gap between the mattress and the bed which could result in entrapment of the child. Failure to install this part could result in serious injury or death.**
- **This crib contains all components necessary to convert to a toddler bed. However, a guardrail may be available for purchase to provide additional security. Contact Foundations® for assistance. Refer to maintenance section for contact information.**



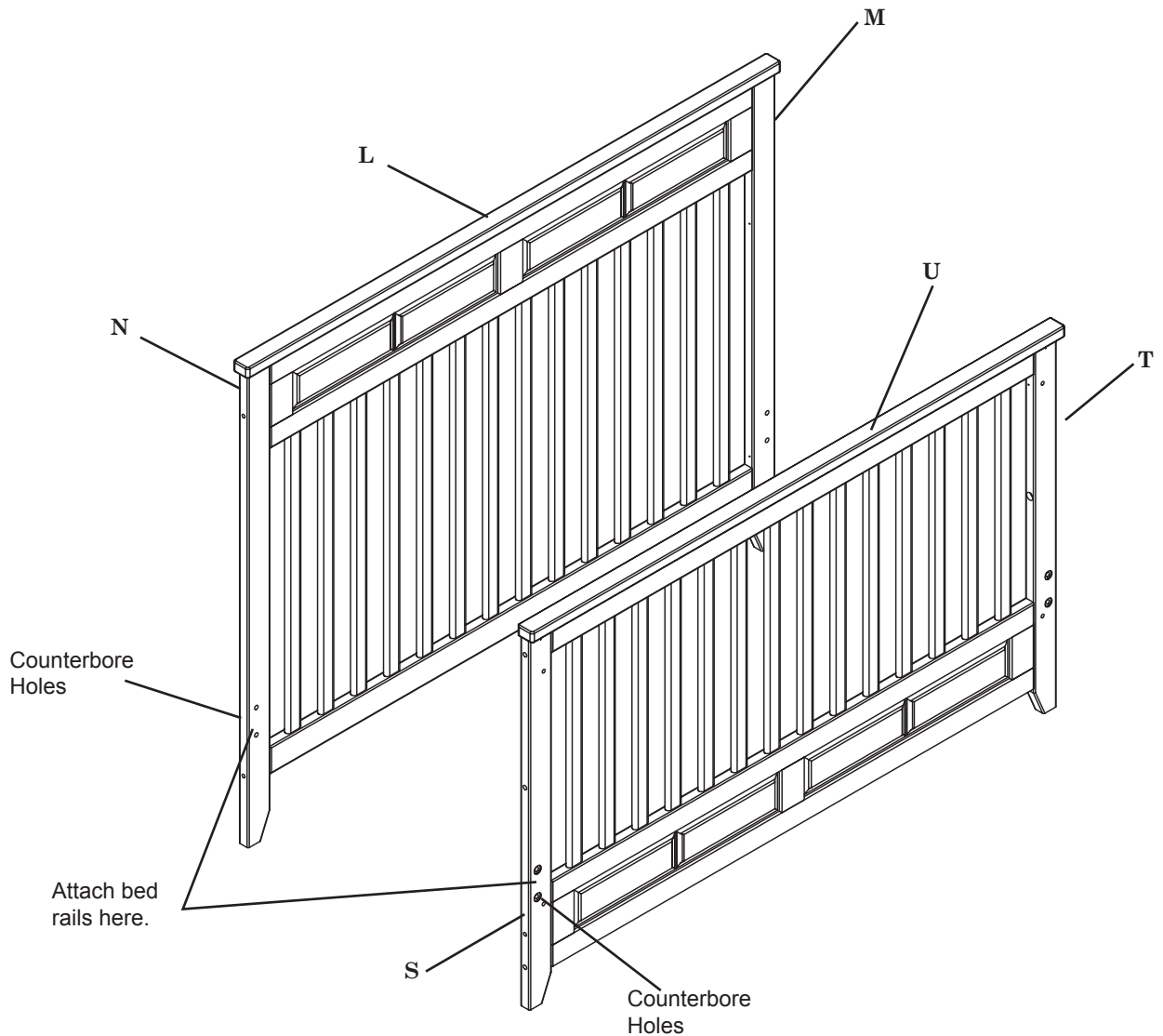
**STEP 11 - DIAGRAM 11: CONVERT TO A FULL SIZE BED**

Unbolt posts **M** and **N** and swap their locations. With counterbore holes in Stationary Side Assembly facing outward, attach posts **M** and **N** to Stationary Side Assembly **L** using Allenhead Bolts **C** and Connector Nuts **D** and **E** used during the crib assembly.

Unbolt posts **S** and **T** and swap their locations. With counterbore holes in Long Foot Assembly **U** facing outward, attach posts **S** and **T** to Long Foot Assembly **U** using Allenhead Bolts **C** and Connector Nuts **D** and **E** used during the crib assembly.

NOTE: Overhang on top cap of Long Foot Assembly Faces outward.

Attach bed rails purchased separately using Allenhead Bolts **C** and Connector Nuts **E**.



**MAINTENANCE OF YOUR CRIB/TODDLER BED/FULL SIZE HEADBOARD & FOOTBOARD:** Upon completion of the assembly, check to ensure that all screws, bolts and fastening devices have been tightened securely. There should be a frequent check of this product for damaged hardware, loose joints, missing parts or sharp edges before and after assembly and frequently during use. **DO NOT** use crib if any parts are missing or broken. If any parts are missing or broken or you need assistance with assembly, **DO NOT** return the product to your dealer. Call Foundations® for assistance at 1 877.716.2757 (U.S. Only) or +1 330.722.5033 (Monday through Friday, 9:00 a.m.– 4:00 p.m. Eastern Time) for replacement parts and instructional literature if needed. Include model identification numbers which you recorded on page 2. **DO NOT** substitute parts.

**CLEANING INSTRUCTIONS FOR YOUR CRIB/TODDLER BED/FULL SIZE HEADBOARD & FOOTBOARD:** Mix together a mild solution of gentle dishwashing liquid and water, apply to surface using a soft clean cloth lightly dampened in the solution. Rinse with clear water again using a soft clean cloth, then dry all surfaces thoroughly with a soft dry cloth. **NO ABRASIVE CLEANERS, SCOURING PADS, STEEL WOOL, OR COARSE RAGS SHOULD BE USED TO CLEAN THIS FINE FURNITURE.**

**STORAGE AND USE OF YOUR CRIB/TODDLER BED/FULL SIZE HEADBOARD & FOOTBOARD:** A printed pouch is attached to the crib spring for the permanent storage of the assembly directions. After completing the assembly process you are advised to read and be aware of all **WARNINGS, CAUTIONS, CLEANING, STORAGE, USE AND MAINTENANCE** notices contained in this set of directions and printed on the pouch located on the crib spring. You will then place the complete set of assembly directions into the pouch for future referral. We caution you not to place excess hardware in the pouch as it could present danger to a child if retrieved. When storing crib use **CAUTION** as extreme temperature or humidity changes could be harmful. Use **CAUTION** when a vaporizer is in use, always aim vapor stream away from crib as well as away from any wood furniture item.

## CAUTION

•**ANY MATTRESS USED IN THIS CRIB SHALL BE AT LEAST 27 1/4 BY 51 5/8 IN. WITH A THICKNESS NOT EXCEEDING 6 IN.**

•**UPON COMPLETION OF ASSEMBLY BE SURE ALL SCREWS, BOLTS AND FASTENING DEVICES HAVE BEEN TIGHTENED SECURELY. A FREQUENT CHECK SHOULD BE MADE OF ALL SCREWS, BOLTS AND FASTENING DEVICES AND TIGHTEN IF NEEDED.**

## **⚠️ WARNING**

• **FAILURE TO FOLLOW THESE WARNINGS AND THE ASSEMBLY INSTRUCTIONS COULD RESULT IN SERIOUS INJURY OR DEATH.**

**⚠️ WARNING:** Infants can suffocate on soft bedding. **NEVER** add a pillow or comforter. **NEVER** place additional padding under an infant.

- Read all instructions before assembling crib. Keep instructions for future use. A pouch is attached to crib for permanent storage of the instructional literature.
- To reduce the risk of SIDS pediatricians recommend healthy infants be placed on their backs to sleep, unless otherwise advised by your physician.
- Strings can cause strangulation! **DO NOT** place items with a string around a child's neck, such as hood strings or pacifier cords. **DO NOT** suspend strings over a crib or attach strings to toys.
- To help prevent strangulation, tighten all fasteners. A child can trap parts of the body or clothing on loose fasteners.
- **DO NOT** place crib near window where cords from blinds or drapes may strangle a child.
- When child is able to pull to standing position, set mattress to lowest position and remove bumper pads, large toys and other objects that could serve as steps for climbing out.
- Stop using crib when child begins to climb out or reaches the height of 35 in. (89 cm).
- After raising side, make sure latches are secure (if your unit has a moveable side).
- **DO NOT** leave child in crib with side lowered. Be sure side is in raised and locked position whenever child is in crib (if your crib has a moveable side).
- Check this product for damaged hardware, loose joints, loose bolts or other fasteners, missing parts or sharp edges before and after assembly and frequently during use. Securely tighten bolts and other fasteners. **DO NOT** use crib if any parts are missing, damaged or broken. If any parts are missing or broken or you need assistance with assembly, **DO NOT** return the product to your dealer. Call Foundations® for assistance at 1 877.716.2757 (U.S. Only) or +1 330.722.5033 (Monday through Friday, 9:00 a.m.– 4:00 p.m. Eastern Time) for replacement parts and instructional literature if needed. Include model identification numbers with your request which you recorded on page 2. **DO NOT** substitute parts.
- Replace teething rail(s) if damaged, cracked, or loose (if equipped with teething rails).
- If refinishing, use a non-toxic finish specified for children's products.
- Follow warnings on all products in a crib.
- **NEVER** use plastic shipping bags or other plastic film as mattress covers because they can cause suffocation.
- Infants can suffocate in gaps between crib sides and a mattress that is too small.
- **DO NOT** use a water mattress with this crib.
- When disassembling this crib, **DO NOT** remove any item attached with wood screws.



7001 Wooster Pike  
Medina, OH 44256 USA  
Telephone: 1 877.716.2757 (U.S. Only)  
or +1 330.722.5033  
Fax: +1 330.722.5037  
www.child-craft.com  
www-foundations.com