



Assembly Guide RC105_2014_B

Check out our other products online at
www.copernicused.com

For assistance, please contact us:

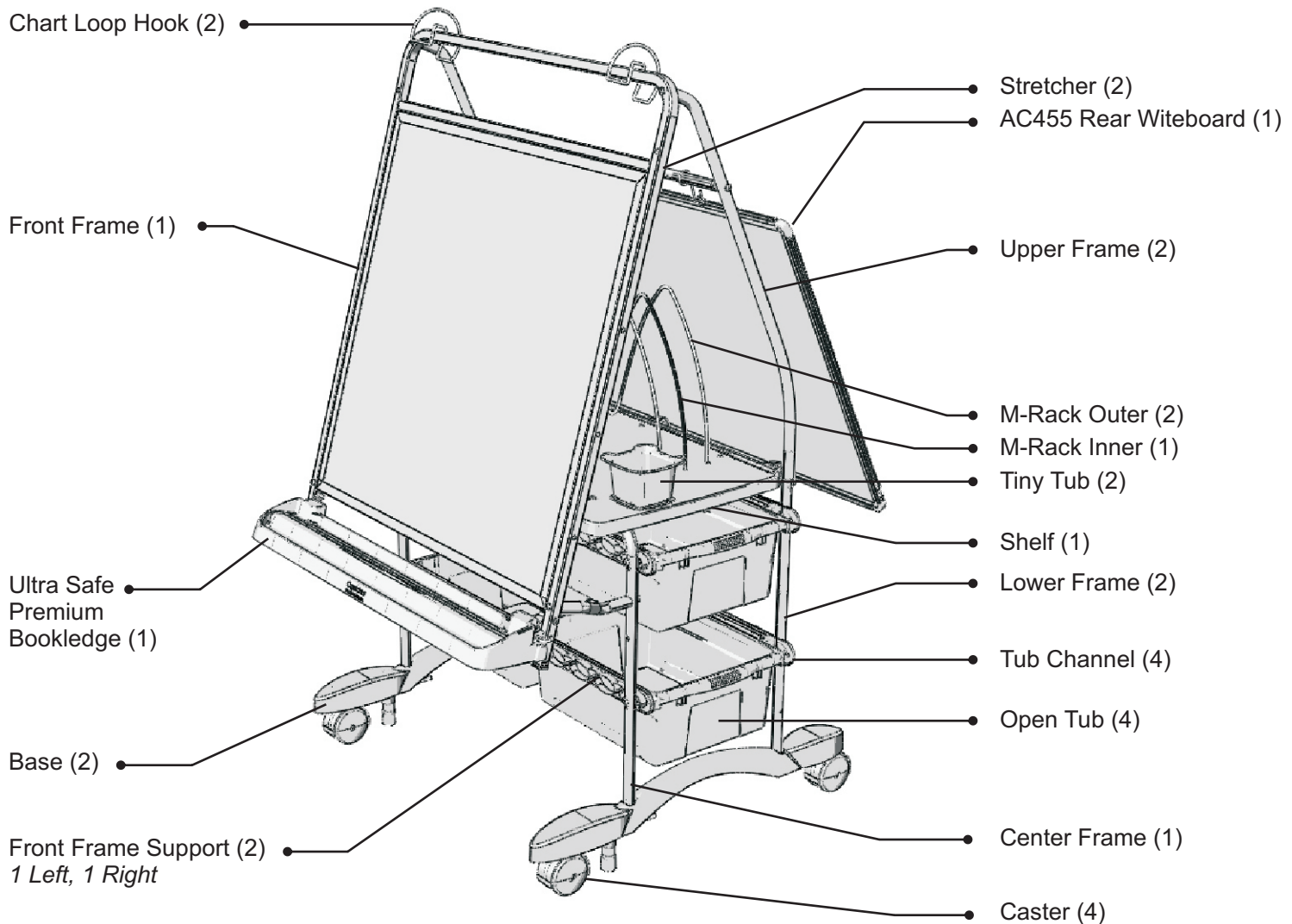
1-800-267-8494

Email info@copernicused.com

Have your packing slip ready for reference

WARNING

- This product is meant to be assembled by an adult.
- In its unassembled state, small parts present a hazard.
- To be used under direct supervision of an adult.



Validate Your Warranty On-Line

To validate your warranty submit the ON-LINE form at www.copernicused.com


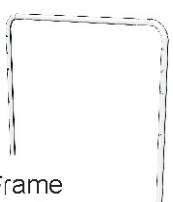







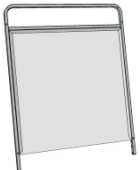
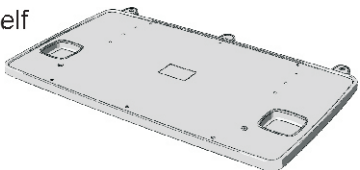
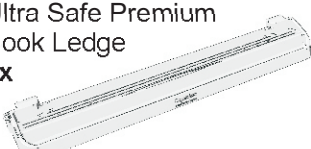

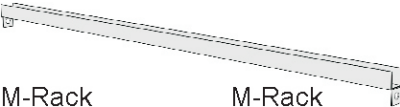
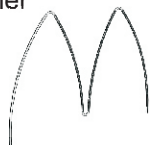






Please Recycle

Royal[®] Reading/Writing Center - Parts









Before beginning, you should have:

Contents - Box 1

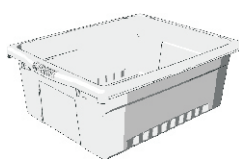
- Base 2x 
- Center Frame 1x 
- Lower Frame 1 Left, 1 Right 2x 
- Upper Frame 1 Left, 1 Right 2x 
- Rear Whiteboard 1x 
- Front Frame Support 1 Left, 1 Right 2x 
- 3" Caster 4x 
- Chart Loop Hook 2x 
- Page Paws 2x 
- Front Frame 1x 
- Shelf 1x 
- Ultra Safe Premium Book Ledge 1x 
- Stretcher 2x 
- Whiteboard Channel 1x 
- M-Rack Inner 1x 
- M-Rack Outer 2x 
- Tub Channel 4x 
- Rear Whiteboard Hooks 2x 
- Tiny Tub 2x 

Hardware Actual Size


In Box 1

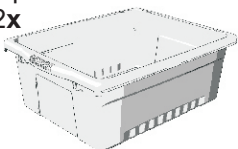
- A M6 x 35mm 12x 
- B M5 x 35mm 2x 
- C M6 x 15mm 14x 
- D M6 Lock Washer 14x 
- E M8 Lock Washer 14x 
- F M6 Barrel Nut 14x 
- G 2x (Not to Scale) 
- H 1x 


Contents - Box 2 RC105




Open Tub 4x 

OR Contents - Box 2 RC105-PTP5

Stubby Tubby 4x 

Open Tub 2x 

Tub Channel 2x 

- C 4x 
- E 4x 
- F 4x 

★ Additional tools required: Adjustable wrench 



Tips for Assembly - Using this Manual



2 Person

Watch for These Helpful Symbols

- This symbol denotes a 2 Person Task. For safety, please ensure that there are two people working on steps displaying this symbol



- Watch for this symbol throughout the Assembly Instructions. Wherever you see it, pay close attention. The symbol denotes a step needing extra attention to ensure it is done correctly.



- The Star symbol highlights an advisory note

Before You Begin



- Layout and identify all of the included parts
- The hardware has been packed according to size, separate them based on those sizes
- Read the assembly instructions over once to familiarize yourself with them
- Please note that in its unassembled state, this product contains parts that can be a hazard to small children; it should be assembled by an adult.

As You Assemble the Unit

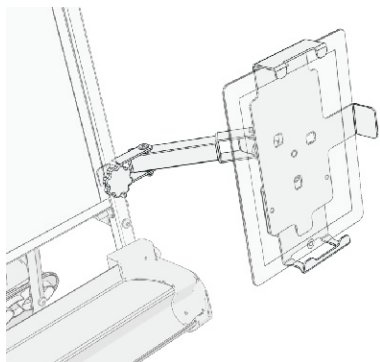


- Follow the steps in sequence
- Before beginning each step, find the part(s) that you need for that step
- Pay attention to the labeling on the parts, they are there to help direct you at certain stages
- The title of each step states what you will be doing. Review the text and the pictures as you build the unit.

After Assembly; Before Use

- Remove the plastic film from the Whiteboard before writing on it
- Clean the Whiteboard surface well with soapy water and then rinse clean

Suggested Products



iPad® Mount

Securely attach your iPad® to this easel for group learning activities, to give students the opportunity to share their work with classmates, create guided reading centers, story board presentations, literacy activities, allow students to record themselves and even for creating class podcasts.

Works with new RC105, 106, 107 models. Included with RC108, 109, 110 models. For more information visit: www.copernicused.com or call 1-800-267-8494.

1

Actual Size:

You will need: (Not to Scale)



Base x 2



Caster x 4

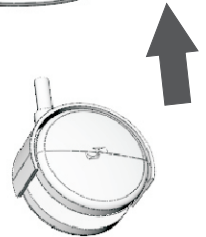
Install Casters

Front



Press Casters firmly into the Base:

- Casters will click into place
- If necessary, tap the caster in using a rubber mallet.



2

Actual Size:

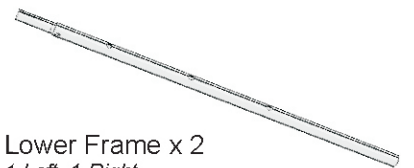


You will need: (Not to Scale)

Center Frame x 1



Lower Frame x 2
1 Left, 1 Right



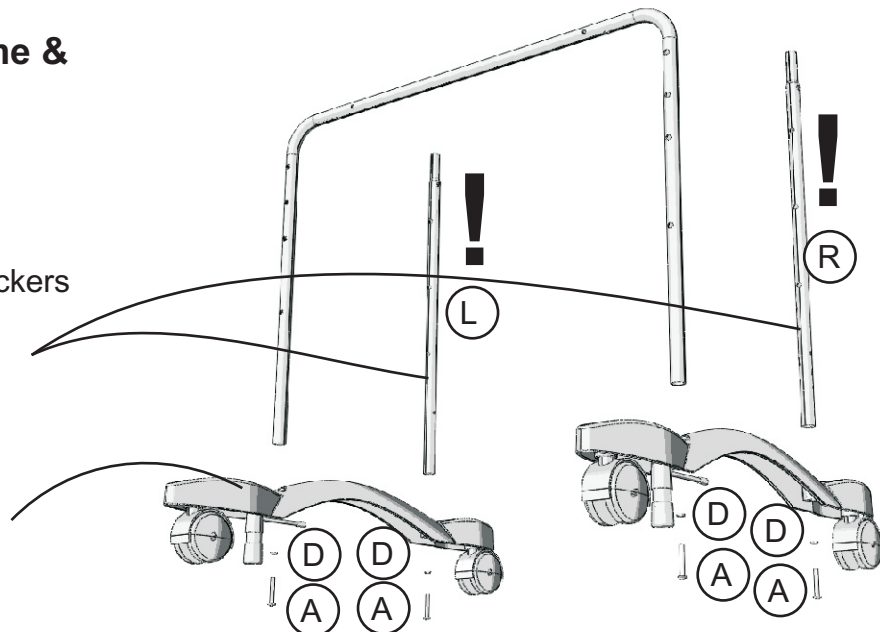
Install Center Frame & Rear Frame Lower



Note - L & R stickers on the frames



Note - Front of base is the end with the brake



3

Actual Size:



You will need: (Not to Scale)



Stretcher x 2

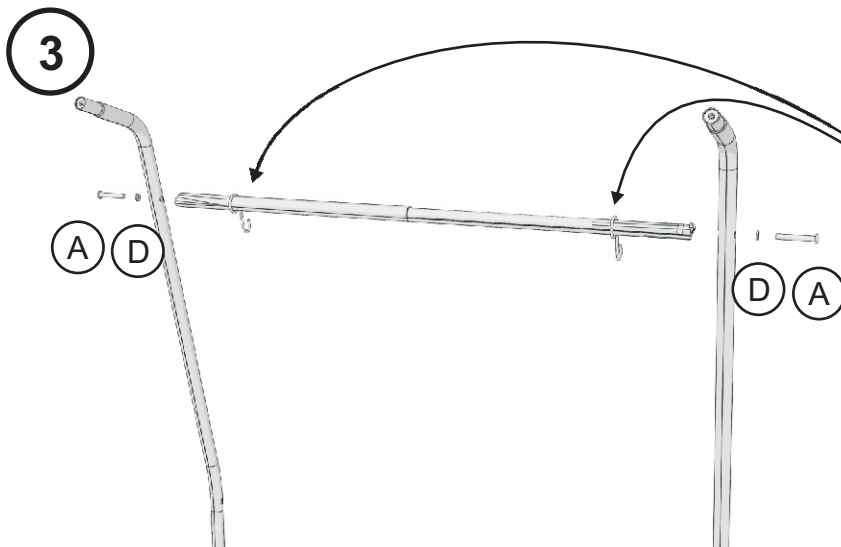
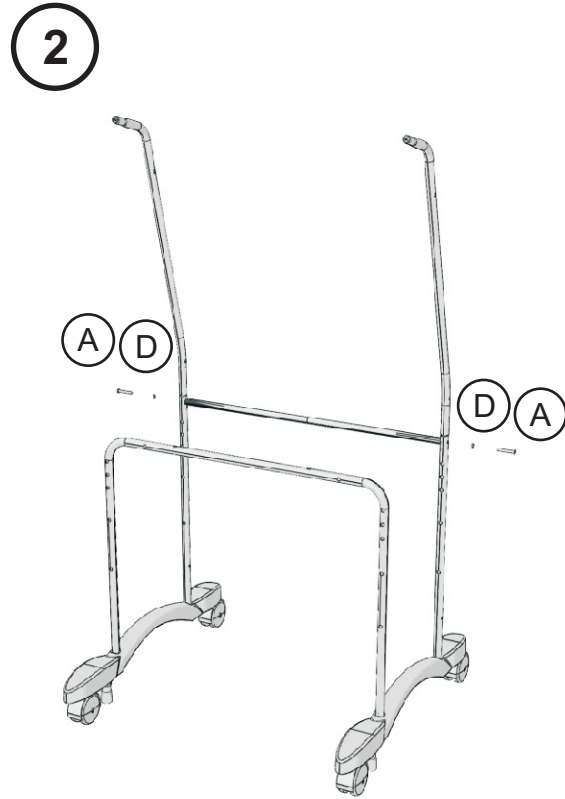
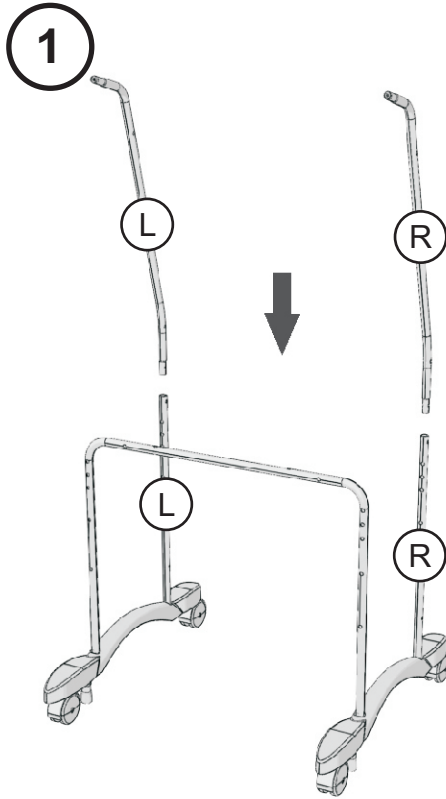


Upper Frame x 2
1 Left, 1 Right



Rear Whiteboard Hook x 2

Build Rear Frame



! Note - install Rear Whiteboard Hook before screwing stretcher into place

Ensure hook faces back of unit!



4

Actual Size:

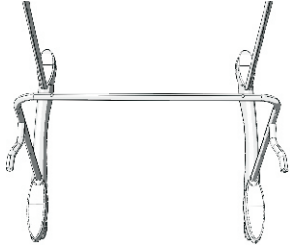


You will need: (Not to Scale)

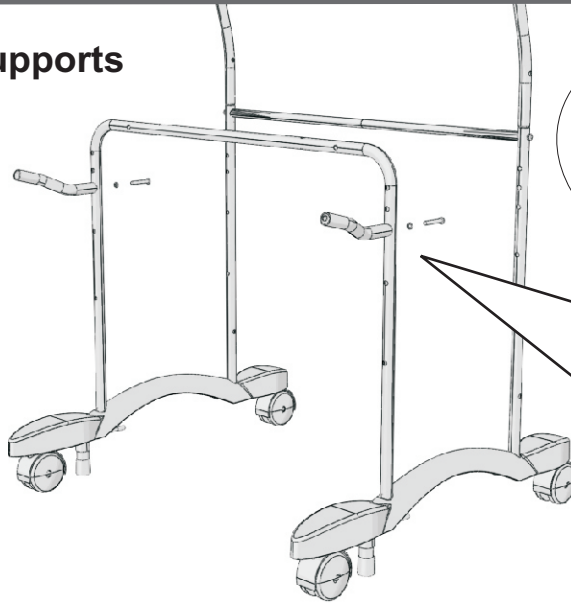


Front Frame Support x 2
1 Left, 1 Right

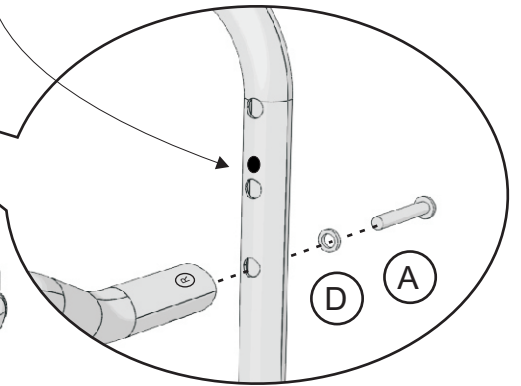
Install Front Frame Supports



Note - Front Frame Supports angle outward

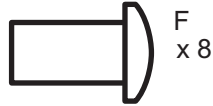


! Use labels to help you assemble correctly



5

Actual Size:

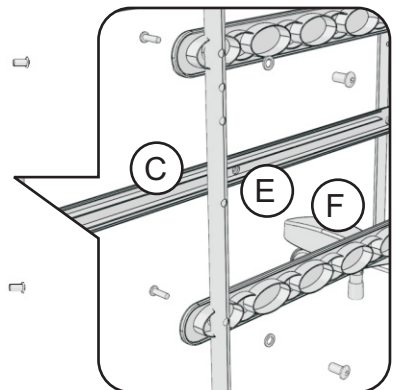
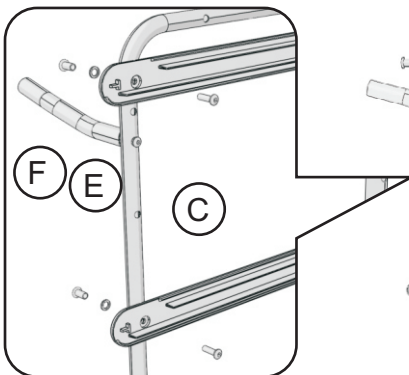


You will need: (Not to Scale)



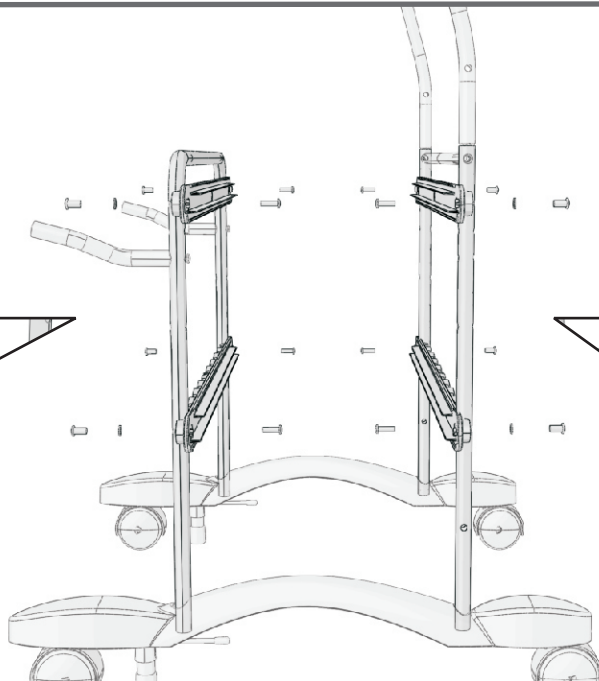
Tub Channel x 4

Install Tub Channels



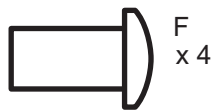
Top

Bottom

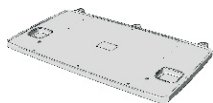


6

Actual Size:

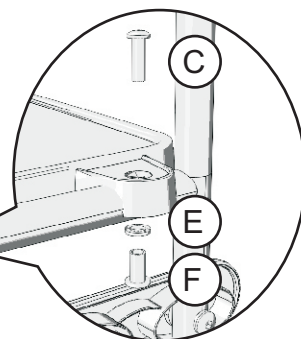
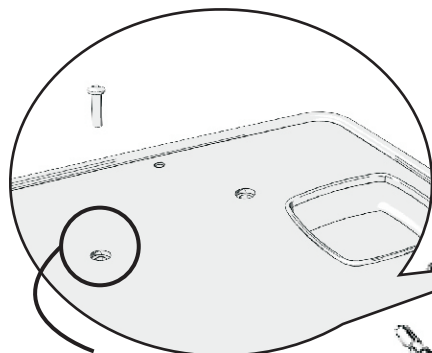


You will need: (Not to Scale)

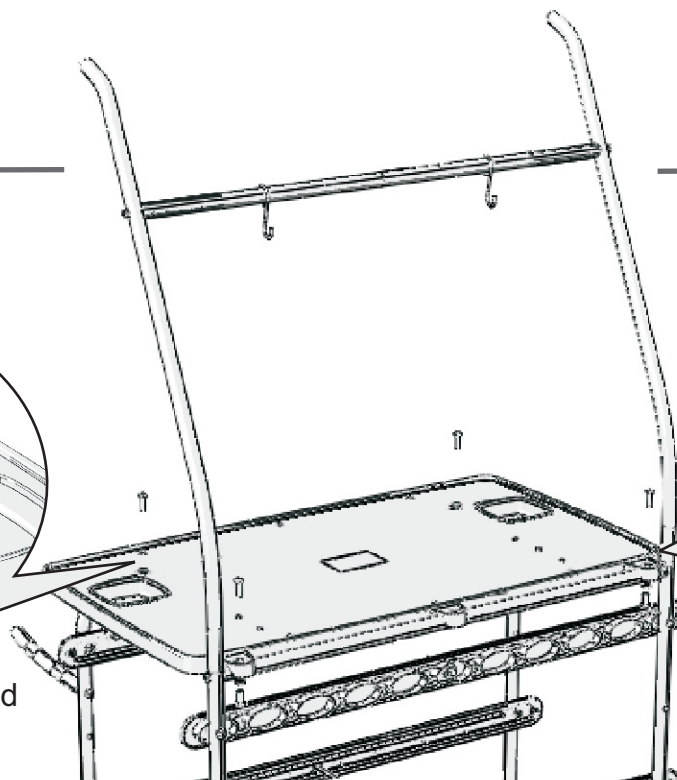


Shelf x 1

Install Shelf

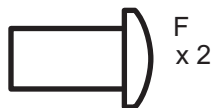


Ensure correct hole is used

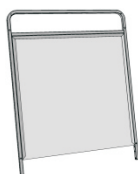


7

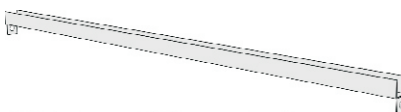
Actual Size:



You will need: (Not to Scale)

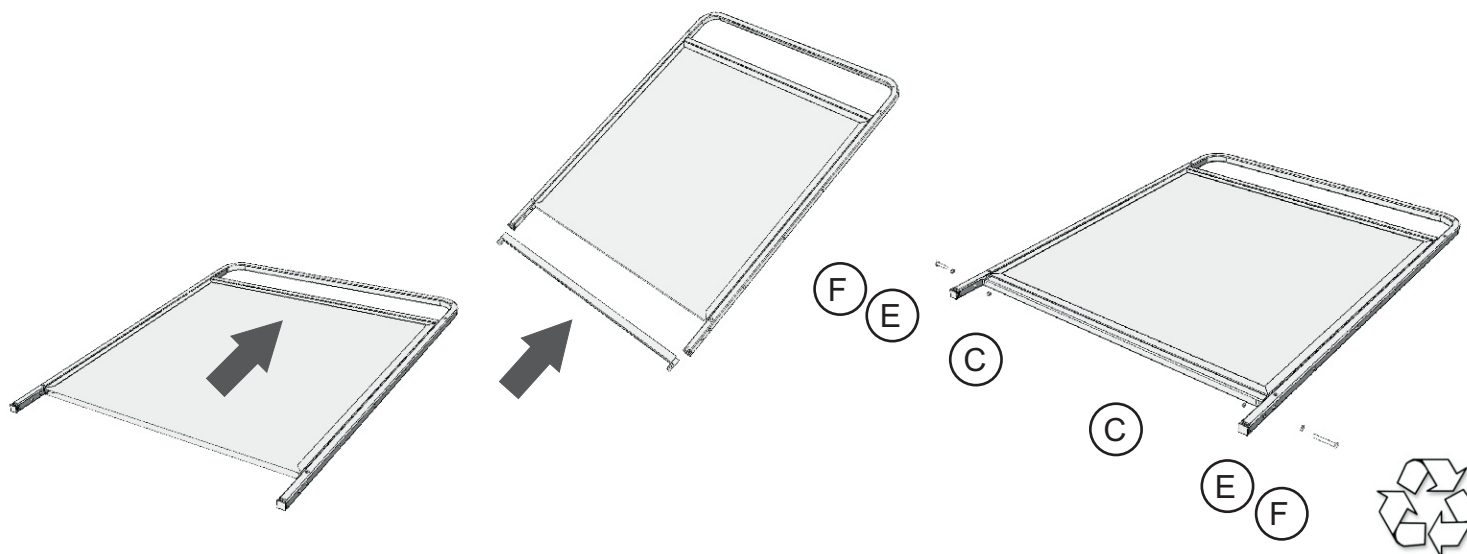


Front Frame Assembly x 1



Whiteboard Channel x 1

Build Front Frame Assembly



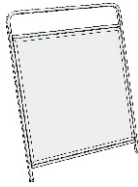
8

Actual Size:



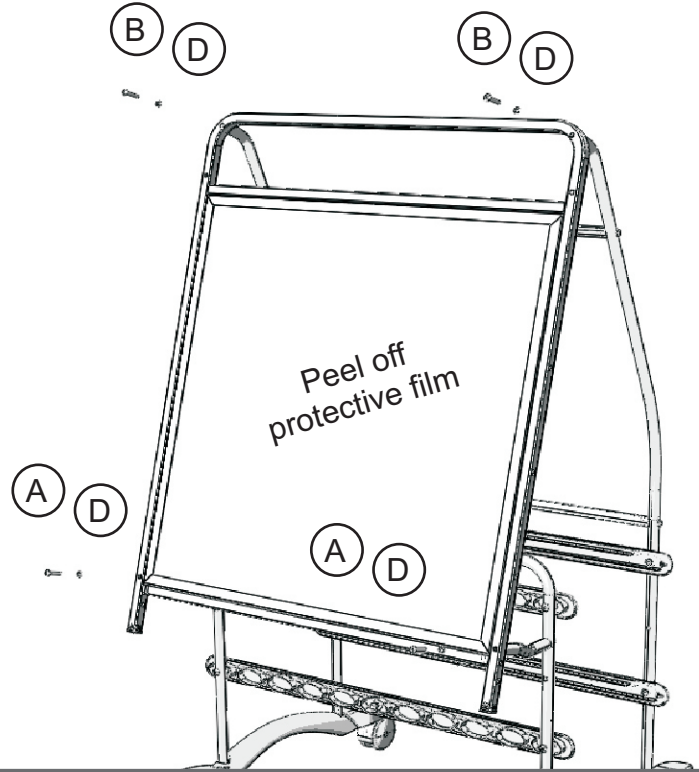
2 Person

You will need: (Not to Scale)



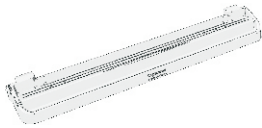
Front Frame Assembly x 1

Attach Whiteboard



9

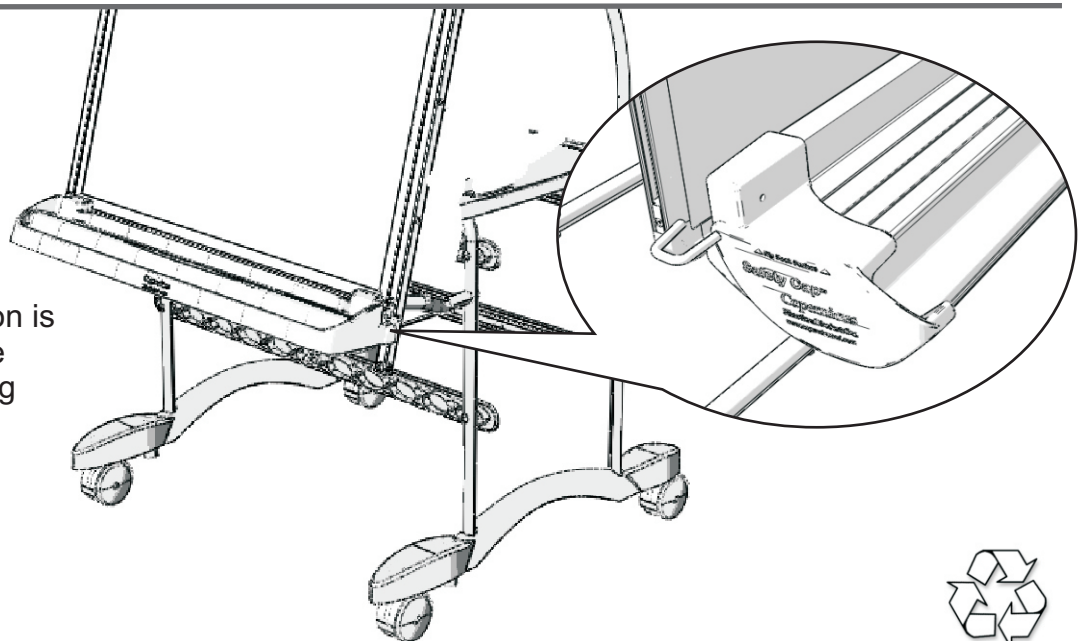
You will need: (Not to Scale)



Book Ledge x 1

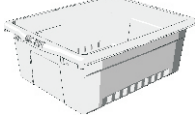
Install Book Ledge

! Note - the spring tension is designed to discourage children from unhooking the book ledge



10

You will need: (Not to Scale)

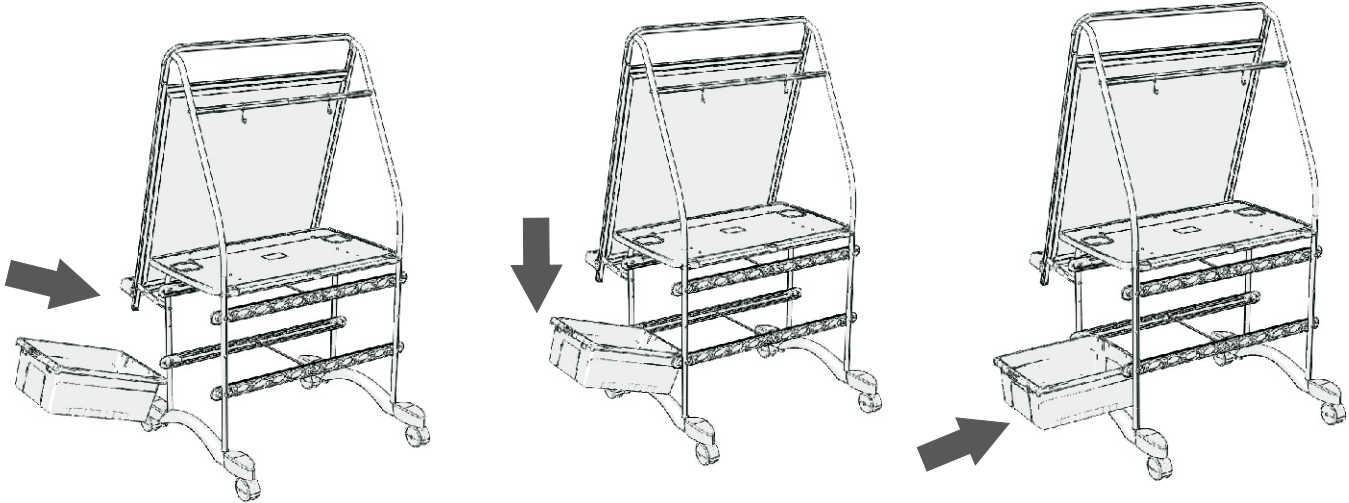


Open Tub x 4



Tiny Tub x 2

Place Tubs into Unit



11

You will need: (Not to Scale)

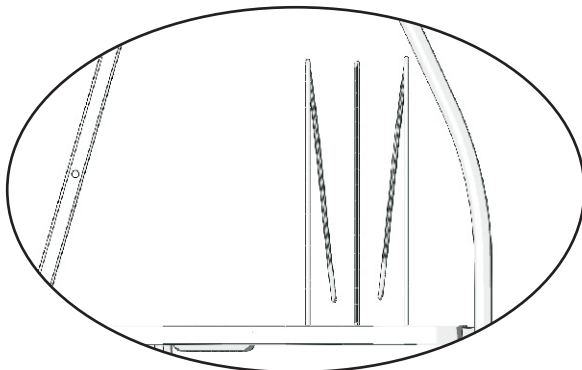


M Rack Inner x 1

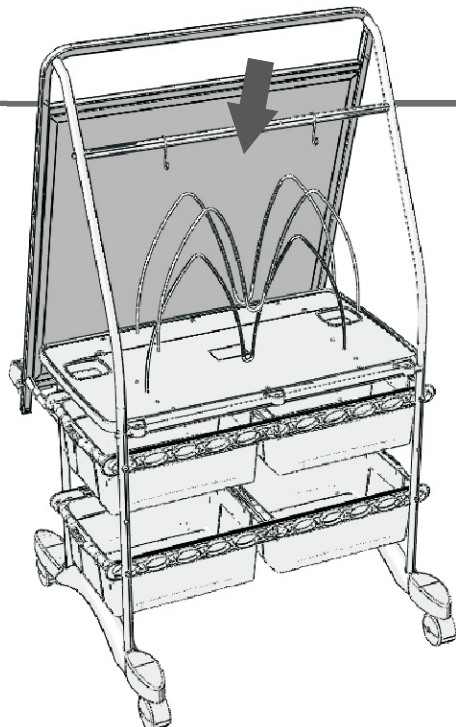


M Rack Outer x 2

Install Big Book Rack Divider M-Racks



Note the orientation of the M-Racks



12

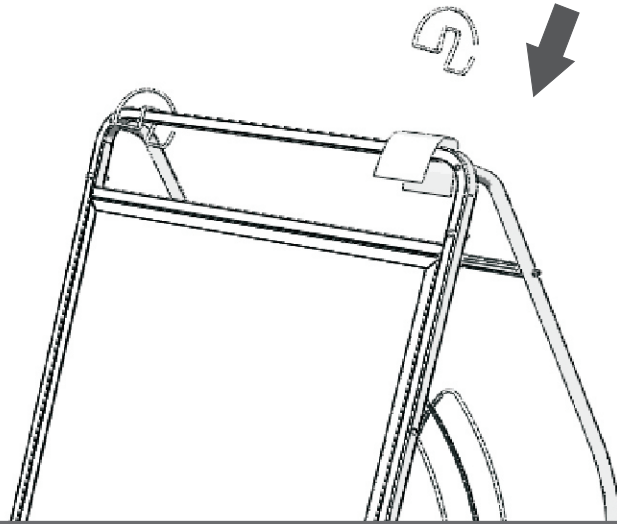
You will need: (Not to Scale)



Chart Paper Hooks x 2

Attach Chart Paper Hooks

! Place an empty hardware bag over the frame to avoid scratching the paint.



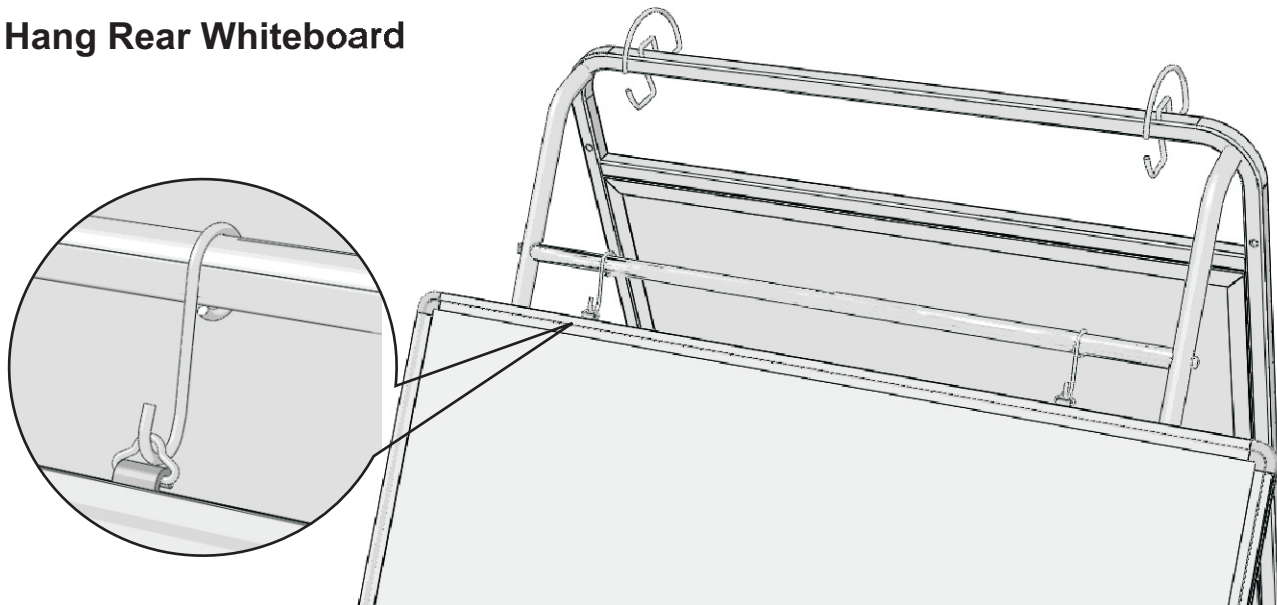
13

You will need: (Not to Scale)



Rear Whiteboard x 1

Hang Rear Whiteboard





Check out our other products online at www.copernicused.com

For assistance, please contact us:

1-800-267-8494

Email info@copernicused.com

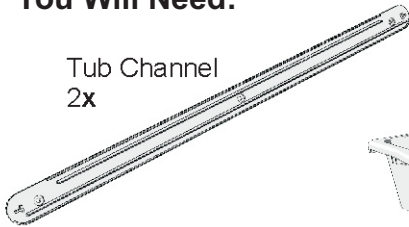
Have your packing slip ready for reference

WARNING

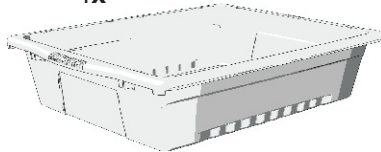
- This product is meant to be assembled by an adult.
- In its unassembled state, small parts present a hazard.
- To be used under direct supervision of an adult.

You Will Need:

Tub Channel
2x



Stubby Tubby
4x



Hardware:

Actual Size

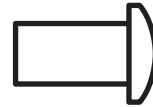
A

4x



B

4x



C
4x



D

2x

(Not to Scale)



Top



Bottom

