



Lil' Premier Series

Portable Hot Water Handwashing Sink

OUR AWARD-WINNING **LIL' PREMIER** IS recognized for its durability, quality, and safety considerations specifically designed for small children. The **Lil' Premier** is nearly identical to the Premier, except for its 30" height. The modest footprint of this model makes it perfect for out-of-the-way, under-the-counter storing, while complying with handwashing standards in classrooms.

The **Lil' Premier** features our integrated ABS splashguard design. Stainless steel cabinet bottoms, ADA compliant handles, keyless lock, soap dispenser and front safety casters are standard features on each Lil' Premier portable hand sink.



LIL' PREMIER

Lil' Premier



ABS Countertop / ABS Basin

Use and Applications

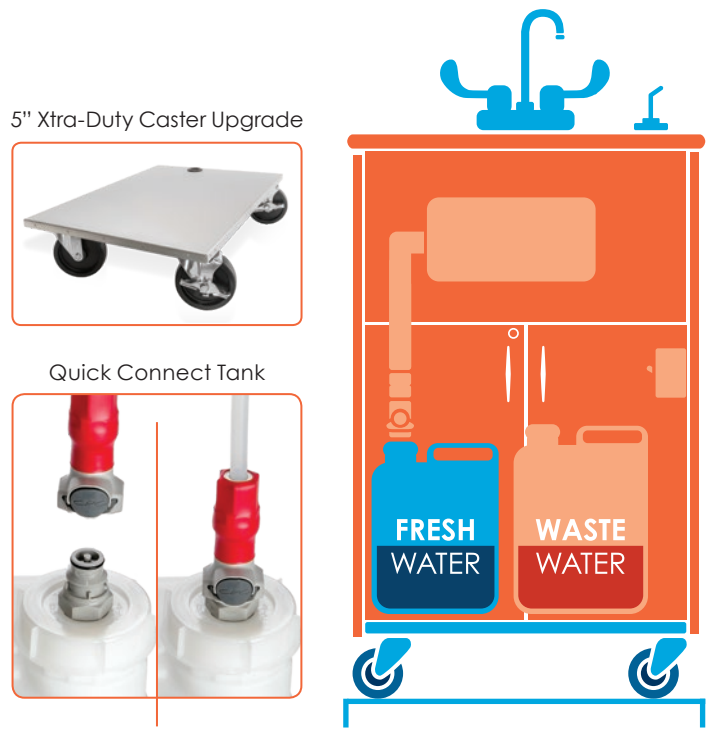
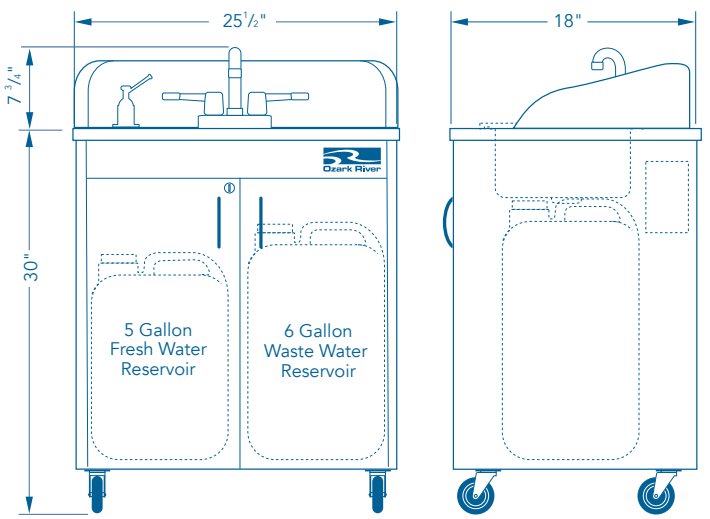
- Small or Compact Areas
- Storing Under Countertops
- Day Care Facilities
- Head Start Programs
- Early Education
- Care Homes
- Classrooms and Schools
- Child Development Centers
- Food and Beverage Service

Model		List Price
Single Compartment Basin		
CHSTM-AB-AB1N	Maple, ABS (Black)	\$2,070 ²⁵

Specifications	
Model Name	Lil' Premier
NSF Certified	Yes
SACERS Rating	12, 3.4, 5.1, 5.2
Electrical Requirements	110V, 20A Dedicated Outlet and Breaker
Product Dimensions	25.50"W x 18"D x 30"H
Product Weight	85 lbs.
On-Demand Hot Water	Approx. 40°F Above Fresh Water Temperature
Fresh Water Tank	5 Gallon Capacity, FDA Approval
Waste Water Tank	6 Gallon Capacity, FDA Approval
Approx Handwashings	42 qty. 15-Second Handwashings
GPM	0.50
Basin Style	Single
Basin Material	Integrated White ABS
Basin Dimensions	12" W x 9.5" L x 5.5" D
Faucet Style	Goose Neck Spout, ADA Compliant Handles
Countertop Material	Integrated Black ABS
Cabinet Material	Phthalate, Lead Free Millwork
Cabinet Wheels	Standard 3" Front Locking/Swivel Casters
Door Lock	Keyless
Soap Dispenser	Liquid Only, Countertop Mount
Warranty	2 Year (see warranty for details)

Minimum Operating Requirements	
Each sink must use a grounded, dedicated 110V, 20A circuit breaker	
Sinks must be used on a dry, level indoor surface	
Extension cord must be 12/3, rated at 20A or higher	
Water must meet EPA standards (PH between 7.0 and 9.0)	

Designs, availability, colors, specifications, dimensions and models are subject to change without notice.
©2018 Integrity Distribution LLC · Date: 03/06/2018



IMPORTANT:
Consult with your state and local environmental health official to confirm usage of portable sinks in place of plumbing.

Handwashing Compliance

Ozark River is the Standard

NSF® CERTIFICATION

NSF® Certification is a key factor separating Ozark River Portable Sinks® from its competitors. NSF® is the most recognized sanitation standard in many industries. Certification is critical to help ensure Ozark River Portable Sinks® complies with most state and local handwashing codes.

SACERS RATING

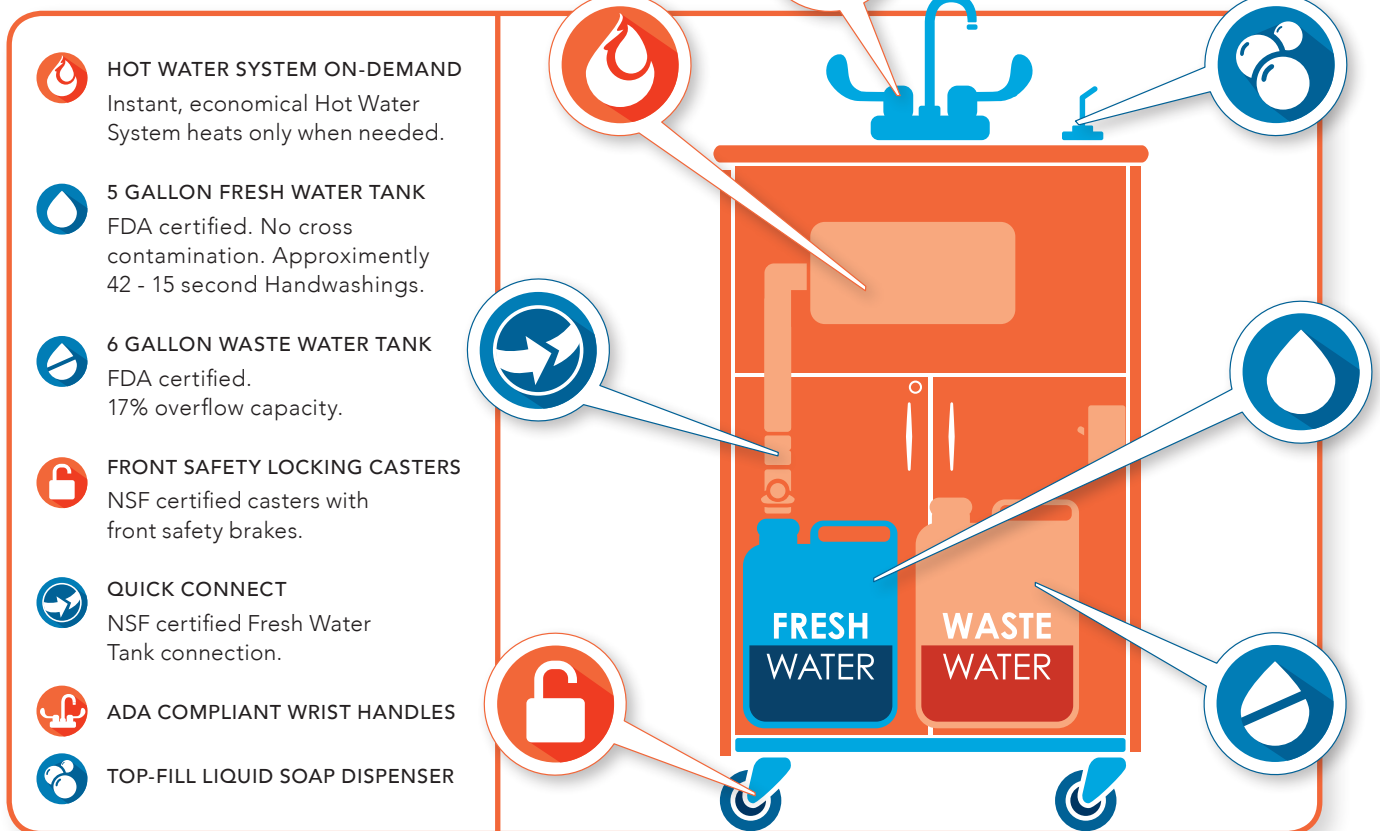
SACERS provides an easy to use resource for defining high-quality care and assessing levels of quality in child care programs. Ozark River Portable Sinks directly affect SACERS, increasing the rating.

SACERS Rating: 12 - 3.4 - 5.1 - 5.2

ENERGY AND WATER SAVINGS

Our reliable, instant hot water system uses a minimal amount of energy to heat the water. No preheating of water is required. Sinks also dispense a sensible 1/2 gallon of water per minute (GPM), providing a perfect, economical stream of water for handwashing while conserving precious water resources.

Consult with your state and local environmental health official to confirm usage of portable sinks in place of plumbing.



OzarkRiver.com
Greater Nashville Area
Toll Free: 1.866.663.1982
Office: 1.615.203.3078

