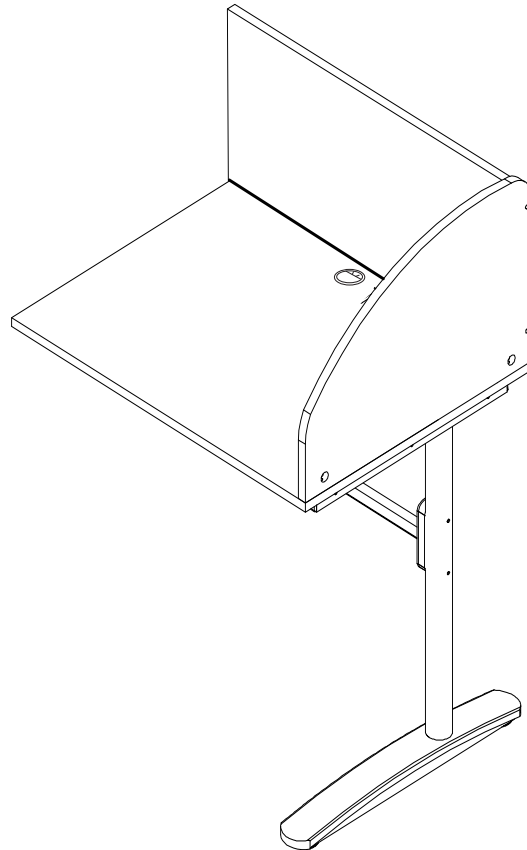
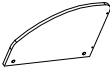


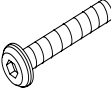

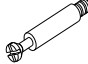











BLT-90083, 90085 Lumina Carrel - Add-On



Assembly Instructions

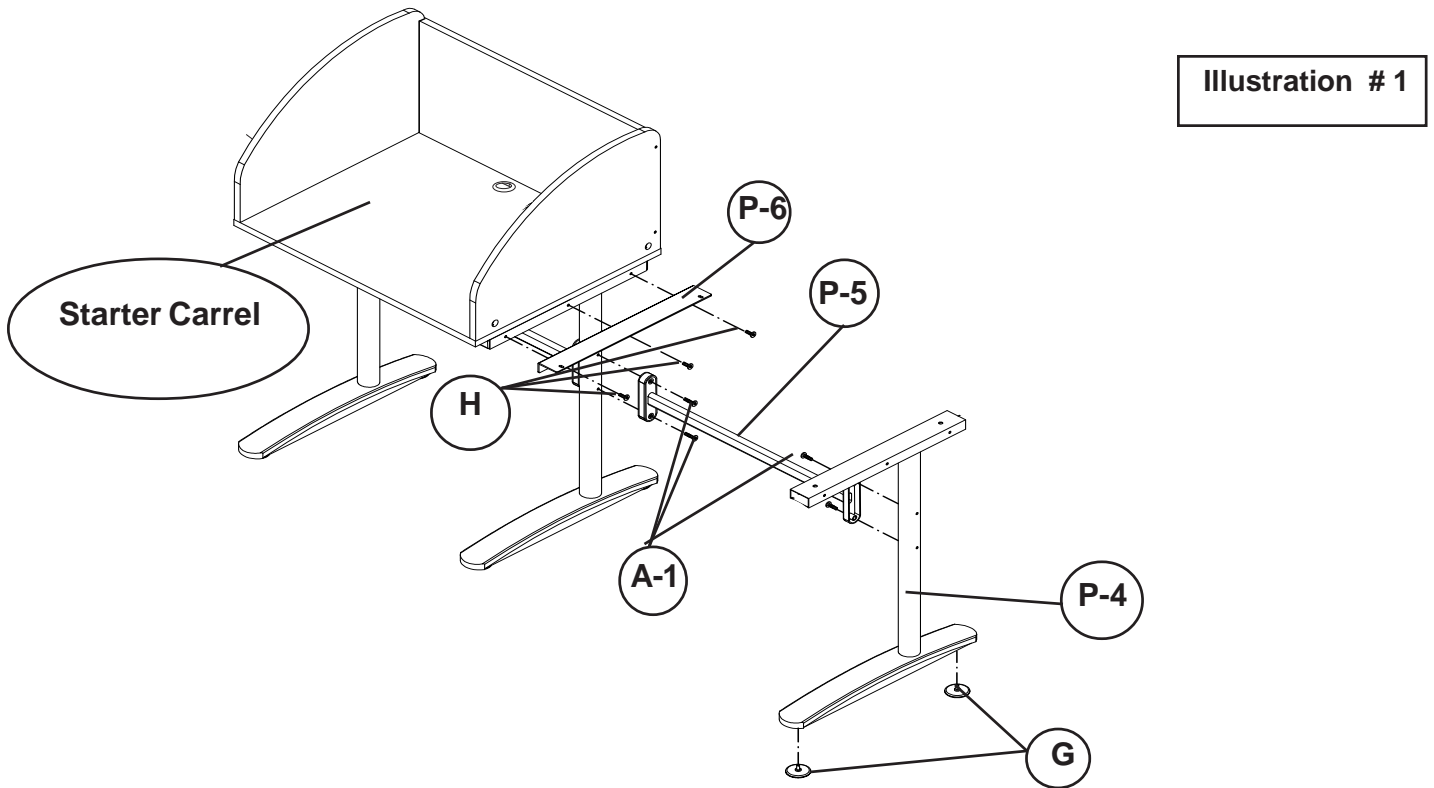
Lumina Carrel- Add-On

Part	Drawing	Description	Qty	Part	Drawing	Description	Qty
				Hardware List			
P-1		Right Side Panel	1 EA	A-1		Screw M6X25mm	4 EA
P-2		Back Panel	1EA	A-2		Allen Head Screw-Large	2 EA
P-3		Top Panel	1 EA	B		Campost	8 EA
P-4		Leg	1 EA	C		Allen Wrench	1 EA
P-5		Leg Brace	1 EA	D		Cam	8 EA
P-6		Top Brace	1 EA	E		Wood Dowel	2 EA
				F		Top Grommet	1 EA
				G		Glides	2 EA
				H		Screw M6X15mm	5 EA

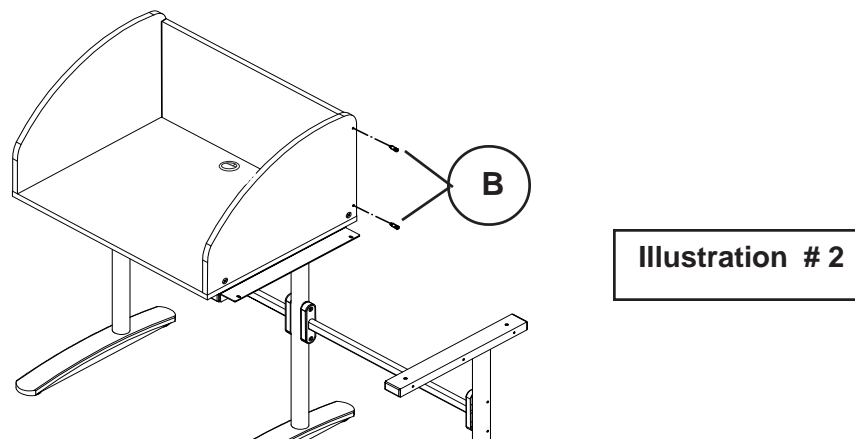
Lumina Carrel Add-On Assembly Instructions

READ THROUGH INSTRUCTIONS FROM BEGINNING TO END BEFORE STARTING TO ASSEMBLE UNIT.

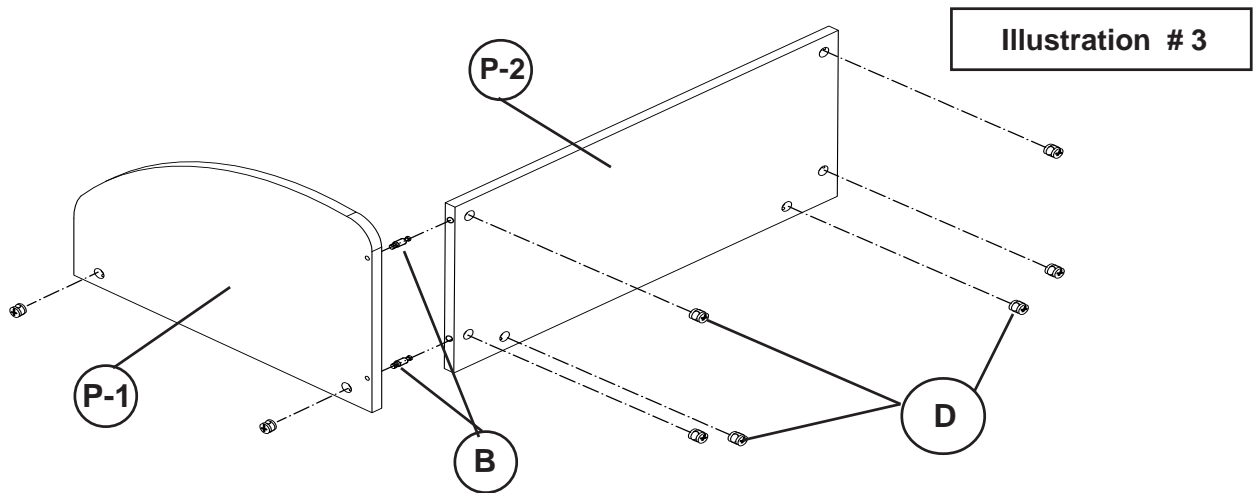
- 1.) Identify and Separate all the Parts and Hardware.
 - 2.) Screw in 2 Glides (G) into the bottom of Leg (P-4) as shown in Illustration #1.



- 3.) Attach Leg Brace (P-5) to the outside of Leg of Starter Carrel and Leg (P-4 of Add-On) using two Screws (A-1) as shown in Illustration # 1. Tighten Screws (A-1) using Allen Wrench (C). Attach Top Brace (P-6) to the Top Support Tube on the Starter Carrel using three Screws (H) as shown in Illustration #1.
- 4.) Screw in two Camposts (B) into the outside threaded holes on the Starter Carrel's Right Side Panel as shown in Illustration #2.

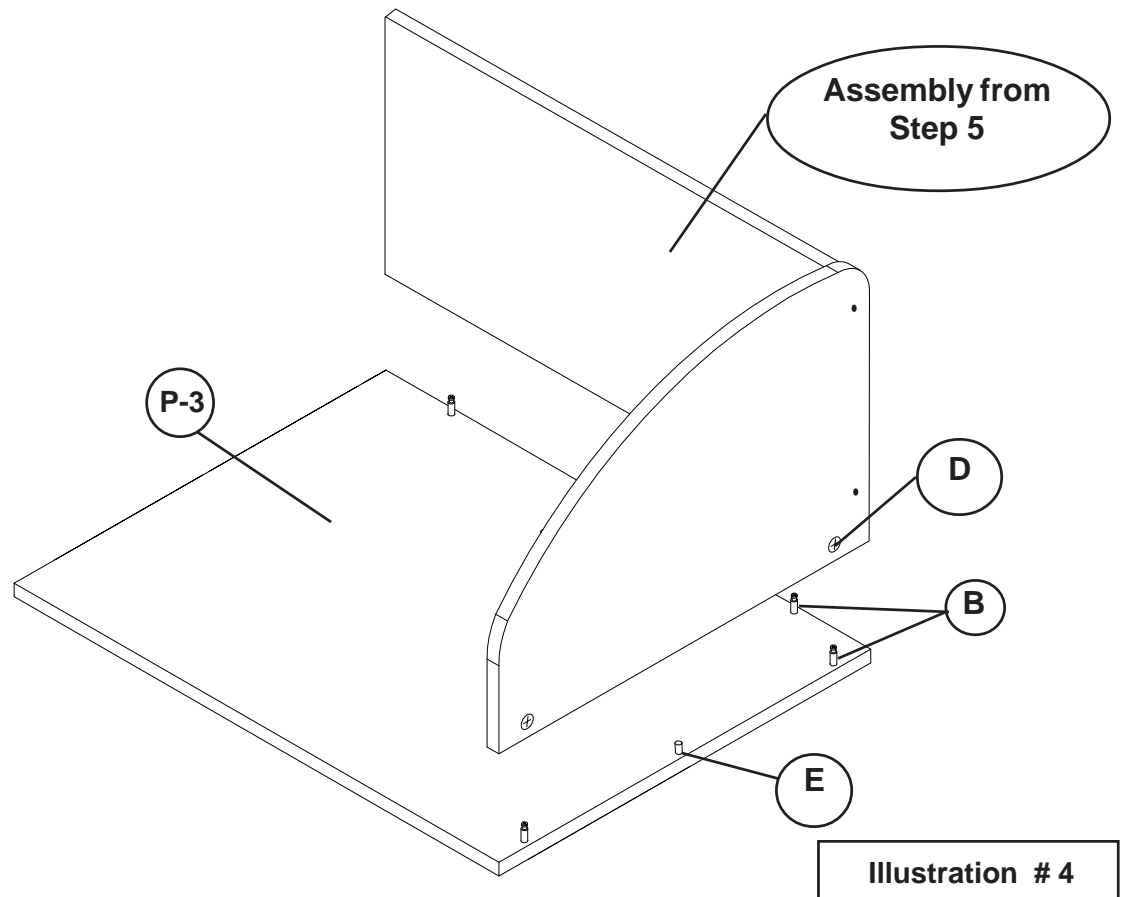


- 4.) Insert six Cams (D) into the large predrilled holes in the Back Panel (P-2) and two Cams (D) into the Right Side Panel (P-1). Screw in two Camposts (B) into the inside threaded holes in the Right Side Panel (P-1) as shown in Illustration #3.



- 5.) Align the Camposts(B) in the Right Side Panel assembly with the edges holes in the Back Panel assembly. Slide the two together and tighten Cams (D) 1/4 turn clockwise to lock the two assemblies together.

- 6.) Screw in four Camposts (B) into the threaded holes in the top of the Top Panel (P-3). Push in two Wood Dowels (E) into the predrilled holes in the Top Panel (P-3). Align the Assembly from Step 5 and lower it down onto the Top Panel Assembly. Turn the Cams (D) 1/4 turn clockwise to lock the two assemblies together as shown in Illustration #4.



7.) Slide the Assembly from Step 6 onto the Starter/Add-On Frame Assembly from Step 3 while lining up the Camposts (B) with the edge holes in the Back Panel (P-2). Turn Cams (D) in the Back Panel (P-2) 1/4 turn clockwise to lock the assemblies together. Align the holes in the bottom of Top Panel (P-3) with the holes in the Top Brace (P-6) and secure using two Screws (H). Align the holes in the bottom of the Top Panel (P-3) with the holes in the Leg (P-4) top support tube and secure using two Screws (A-2) as shown in Illustration #7.

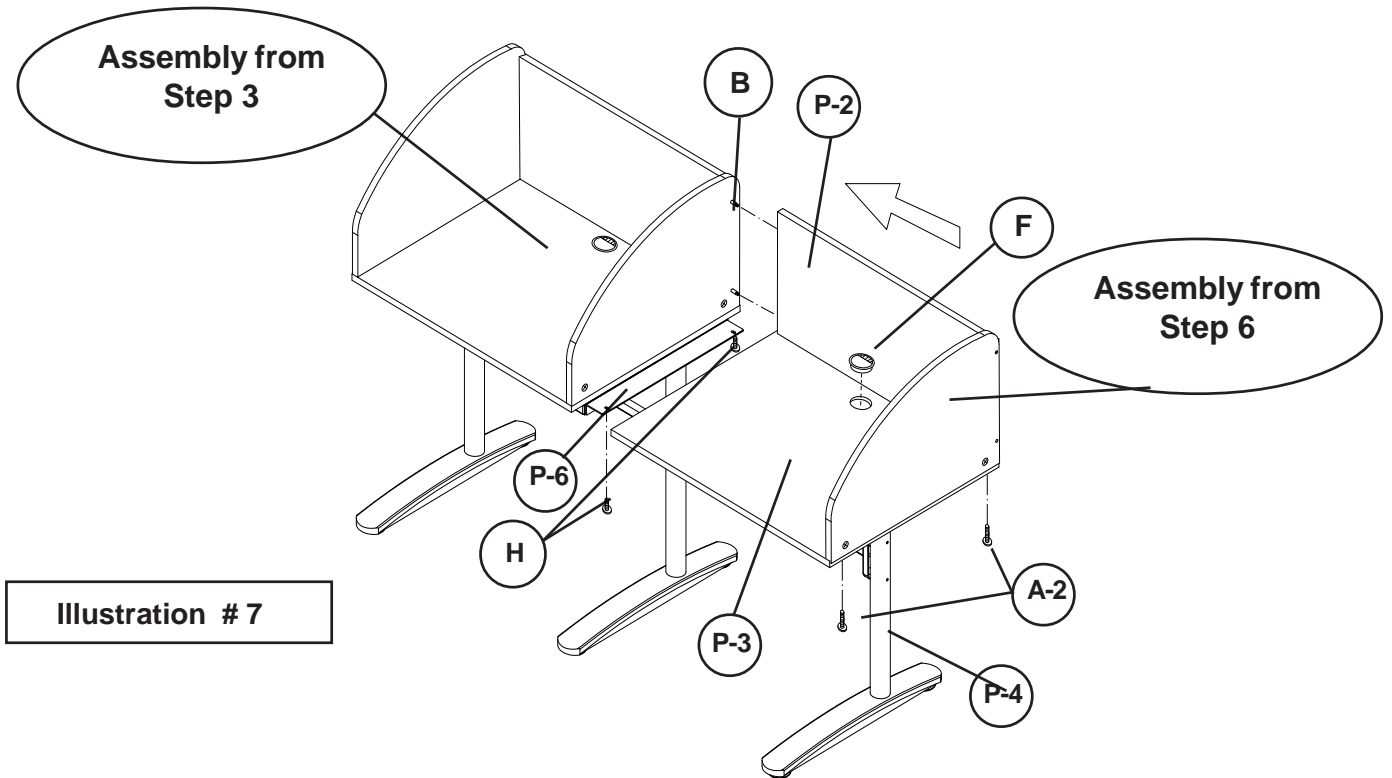


Illustration # 7

8.) Insert the Top Grommet (F) into the cut-out in the Top Panel (P-3).

BLT-90083, 90085

Lumina Carrel - Add-On

