

# 12 SERIES

## rectangular tables



Uniflex activity tables are available in a range of sizes with four leg package options.

### Work Surface

Work surface constructed of a 1½" particle board core surfaced with high-pressure laminate on the top and a resin impregnated phenolic paper backer sheet on the underside to balance construction and minimize warping. Edge banding is black vinyl plastic of 5/16" thickness oval design with a smooth surface. Tongue of edge banding is spot-nailed from bottom of work surface around the perimeter to reinforce edge attachment.

### Options

Black Permatuff Edge: Polyurethane epoxy resin chemically bonded to the edge of the laminate work surface.

Plywood Work Surface: A 1" thick plywood core surfaced with a high-pressure laminate on the top and a resin impregnated phenolic paper backer sheet on the underside to balance construction and minimize warping. Edge banding is black vinyl plastic of 5/16" thickness oval design with a smooth surface. Tongue of edge banding is spot-nailed from bottom of work surface around the perimeter to reinforce edge attachment.

### Stretcher Bar Assembly

Stretcher bar is 16-gauge 1"x1" tube permanently attached to the underside of the top equidistant from the sides and running lengthwise of the tabletop. Stretcher bar is attached with screws. (Standard on 1235, 1246, 1230, 1250, 1254, 1255, 1240, 1260, 1270).

### Quick Set Leg Attachment

Consists of a die formed 16-gauge galvanized steel receiver plate with 5/8" cover flange installed for easy leg attachment. Quick set receiver plate is attached to work surface with screws. Flange provides clearance for leg plate; each leg attaches with a single screw.

### Glides

Four internal gripping swivel glides available in nylon, steel, or Carpin floor saver.

### Options

Non-skid glide, q-ball glide, boot glide, solo felt glide, ultratuff glide (corrosion resistant), felt snap-on glide caps.

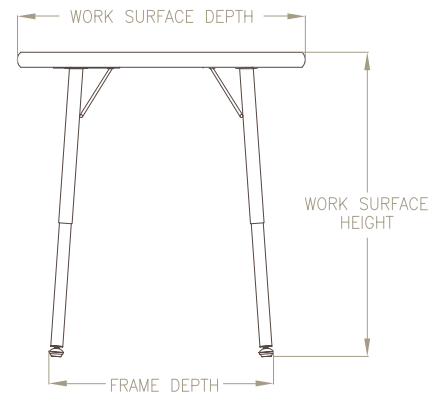
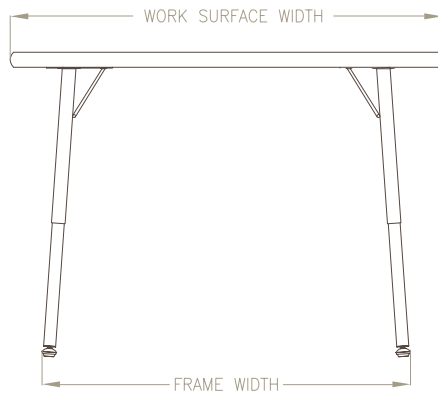
- GreenGuard Certified
- Complies with Consumer Products Safety Improvement Act (CPSIA) of 2008

### Leg Packages

For adjustable leg packages, upper leg is constructed of 1½" 18-gauge tubular steel welded to a 13-gauge 9¼"x7" triangular plate. A #4 wire "V" shaped brace is welded to the leg and receiving plate. Upper leg is available in nickel chrome or powder coat finish; completed after welding for improved aesthetics. Lower leg (inserts) is made of 18-gauge tubular steel in nickel chrome and receive Phillips locking adjustment bolts in 1" increments. Leveling capability of 1/8" to adjust for uneven floors. Height adjustment ranges include 22"–29" (0344), 18"–27" (0343), 25"–34" (0341). For fixed height leg package, leg is constructed of 1½" 18-gauge tubular steel welded to a 13-gauge 9¼"x7" triangular plate. A #4 wire "V" shaped brace is welded to the leg and receiving plate. Available in nickel chrome or powder coat finish; completed after welding for improved aesthetics. Fixed height of 29" (0345).

Artcobell's practice of continuous improvement in design & engineering requires that materials & methods be subject to change without prior notice.

# UNIFLEX



BASE MODEL	WIDTH - FRAME "	DEPTH - FRAME "	HEIGHT - WORK SURFACE "	WIDTH - WORK SURFACE "	DEPTH - WORK SURFACE "	TOP SHAPE
1207	27.00	27.00	22.00-29.00	30.00	30.00	square
1205	33.00	33.00	22.00-29.00	36.00	36.00	square
1215	39.00	39.00	22.00-29.00	42.00	42.00	square
1225	45.00	45.00	22.00-29.00	48.00	48.00	square
1206	33.00	21.00	22.00-29.00	36.00	24.00	rectangle
1210	45.00	21.00	22.00-29.00	48.00	24.00	rectangle
1235	57.00	21.00	22.00-29.00	60.00	24.00	rectangle
1246	69.00	21.00	22.00-29.00	72.00	24.00	rectangle
1220	45.00	27.00	22.00-29.00	48.00	30.00	rectangle
1230	57.00	27.00	22.00-29.00	60.00	30.00	rectangle
1250	69.00	27.00	22.00-29.00	72.00	30.00	rectangle
1254	87.00	27.00	22.00-29.00	90.00	30.00	rectangle
1255	93.00	27.00	22.00-29.00	96.00	30.00	rectangle
1218	45.00	33.00	22.00-29.00	48.00	36.00	rectangle
1240	57.00	33.00	22.00-29.00	60.00	36.00	rectangle
1260	69.00	33.00	22.00-29.00	72.00	36.00	rectangle
1270	57.00	39.00	22.00-29.00	60.00	42.00	rectangle

# 12 SERIES

## shape tables



- GreenGuard Certified
- Complies with Consumer Products Safety Improvement Act (CPSIA) of 2008

### Leg Packages

For adjustable leg packages, upper leg is constructed of 1 $\frac{1}{8}$ " 18-gauge tubular steel welded to a 13-gauge 9 $\frac{1}{4}$ "x7" triangular plate. A #4 wire "V" shaped brace is welded to the leg and receiving plate. Upper leg is available in nickel chrome or powder coat finish; completed after welding for improved aesthetics. Lower leg (inserts) is made of 18-gauge tubular steel in nickel chrome and receive Phillips locking adjustment bolts in 1" increments. Leveling capability of  $\frac{1}{8}$ " to adjust for uneven floors. Height adjustment ranges include 22"–29" (0344), 18"–27" (0343), 25"–34" (0341). For fixed height leg package, leg is constructed of 1 $\frac{1}{8}$ " 18-gauge tubular steel welded to a 13-gauge 9 $\frac{1}{4}$ "x7" triangular plate. A #4 wire "V" shaped brace is welded to the leg and receiving plate. Available in nickel chrome or powder coat finish; completed after welding for improved aesthetics. Fixed height of 29" (0345).

Uniflex activity tables are available in a range of shapes and sizes with four leg package options.

### Work Surface

Work surface constructed of a 1 $\frac{1}{8}$ " particle board core surfaced with high-pressure laminate on the top and a resin impregnated phenolic paper backer sheet on the underside to balance construction and minimize warping. Edge banding is black vinyl plastic of  $\frac{5}{16}$ " thickness oval design with a smooth surface. Tongue of edge banding is spot-nailed from bottom of work surface around the perimeter to reinforce edge attachment.

### Options

Black Permatuff Edge: Polyurethane epoxy resin chemically bonded to the edge of the laminate work surface.

Plywood Work Surface: A 1" thick plywood core surfaced with a high-pressure laminate on the top and a resin impregnated phenolic paper backer sheet on the underside to balance construction and minimize warping. Edge banding is black vinyl plastic of  $\frac{5}{16}$ " thickness oval design with a smooth surface. Tongue of edge banding is spot-nailed from bottom of work surface around the perimeter to reinforce edge attachment.

### Stretcher Bar Assembly

Stretcher bar is 16-gauge 1"x1" tube permanently attached to the underside of the top equidistant from the sides and running lengthwise of the tabletop. Stretcher bar is attached with screws. (Standard on 1274, two standard on 1286, 1275, 1276, 1277, 127H, 128F).

### Quick Set Leg Attachment

Consists of a die formed 16-gauge galvanized steel receiver plate with  $\frac{5}{8}$ " cover flange installed for easy leg attachment. Quick set receiver plate is attached to work surface with screws. Flange provides clearance for leg plate; each leg attaches with a single screw.

### Glides

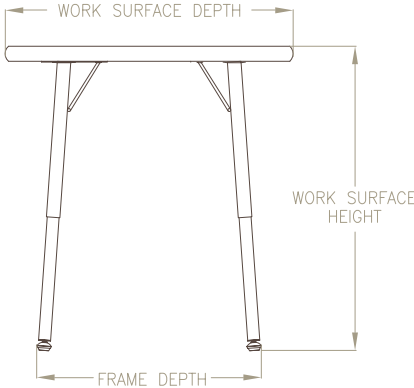
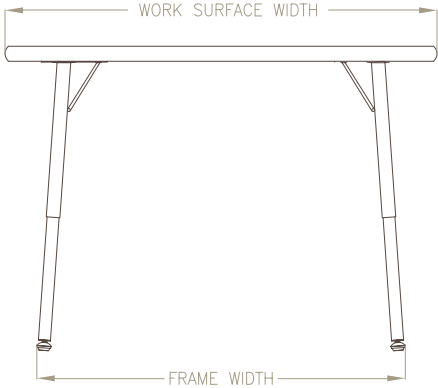
Four internal gripping swivel glides available in nylon, steel, or Carpin floor saver.

### Options

Non-skid glide, q-ball glide, boot glide, solo felt glide, ultratuff glide (corrosion resistant), felt snap-on glide caps.

Artcobell's practice of continuous improvement in design & engineering requires that materials & methods be subject to change without prior notice.

# UNIFLEX



BASE MODEL	WIDTH - FRAME "	DEPTH - FRAME "	HEIGHT - WORK SURFACE "	WIDTH - WORK SURFACE "	DEPTH - WORK SURFACE "	TOP SHAPE
1290	57.00	27.00	22.00-29.00	60.00	30.00	trapezoid
1291	45.00	21.00	22.00-29.00	48.00	24.00	trapezoid
1282	33.00	33.00	22.00-29.00	36.00	36.00	round
1281	39.00	39.00	22.00-29.00	42.00	42.00	round
1280	45.00	45.00	22.00-29.00	48.00	48.00	round
1286	57.00	57.00	22.00-29.00	60.00	60.00	round
1285	45.00	21.00	22.00-29.00	48.00	24.00	half round
1274	69.00	33.00	22.00-29.00	72.00	36.00	half moon
1275	69.00	45.00	22.00-29.00	72.00	48.00	kidney
1276	69.00	45.00	22.00-29.00	72.00	48.00	horseshoe
1277	63.00	57.00	22.00-29.00	66.00	60.00	horseshoe
127H	63.00	57.00	22.00-29.00	66.00	60.00	horseshoe
128F	60.00	57.00	22.00-29.00	60.00	60.00	flower
128C	48.00	45.00	22.00-29.00	48.00	48.00	clover