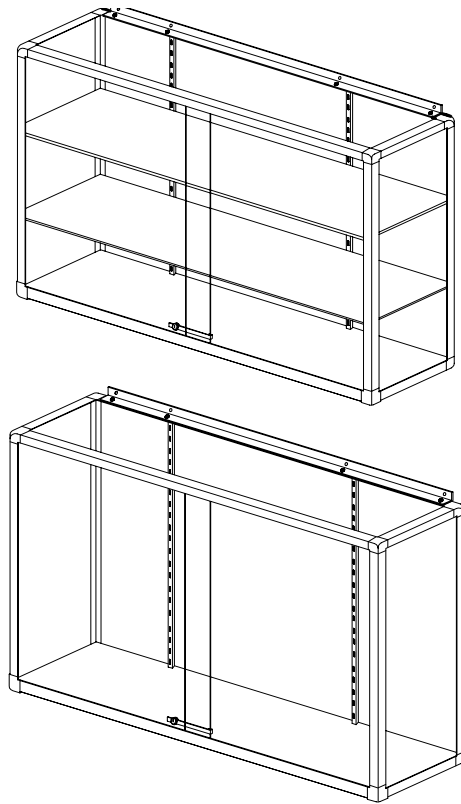


1 Remove all the glass shelves and shelf supports from inside the unit.

2. Determine the type wall and position of the Display Case. Follow the mounting hardware instructions for your type wall.

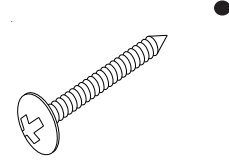
3. Find the desired location for the unit and mark the wall. Find the Stud locations on a Sheetrock/ Wood/Metal Stud wall. You MUST hit the studs with the 1 1/4" Screws (B) on this type wall.

4 Line up the two L Angle Brackets (P2) with the bottom line of your display case. Center over your outermost wall studs. Use a 1/8" drill bit to predrill through the two wall mounting holes. Use two Screws (B) to secure each L Bracket to the wall.

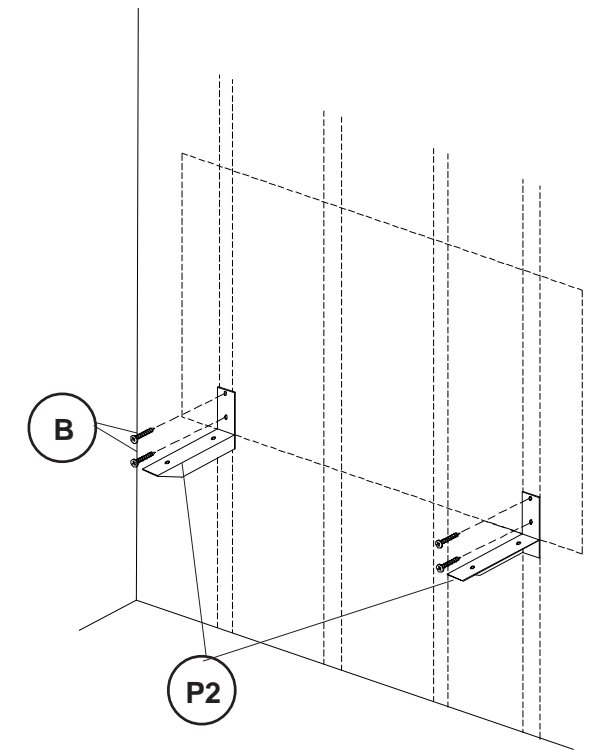
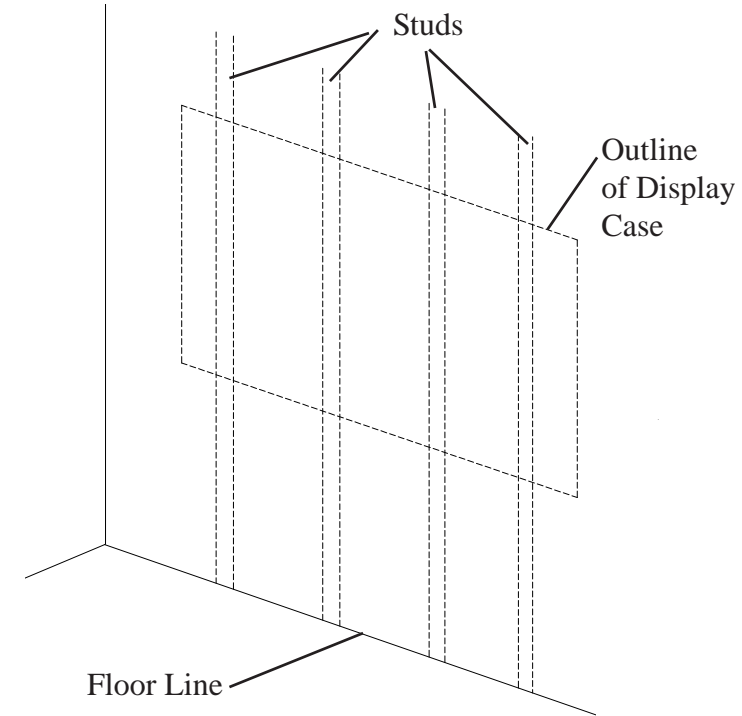
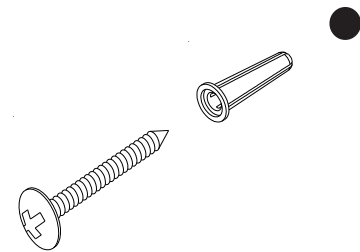


Mounting Hardware Instructions:

Use Screw (B) and a 1/8" predrill for mounting into stud walls.

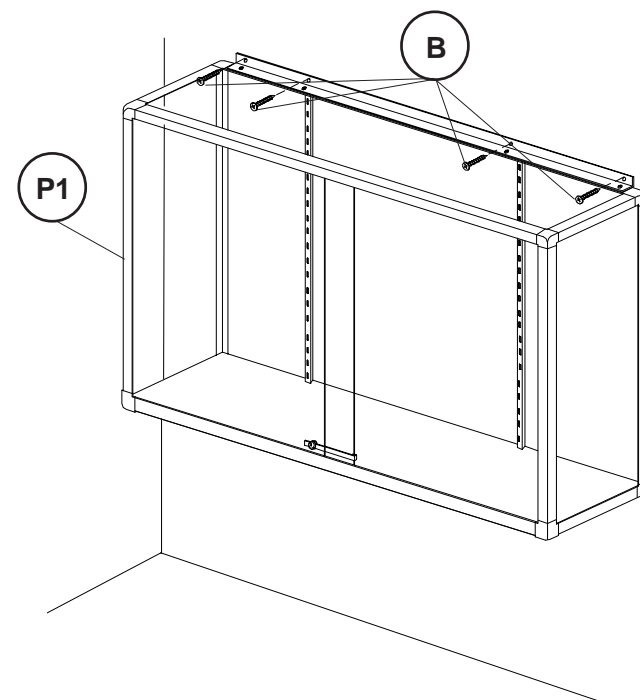
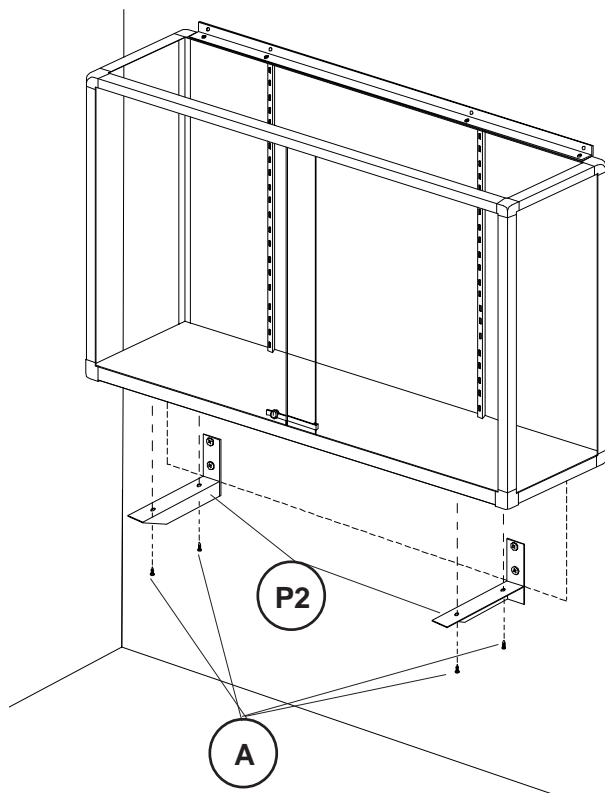


Use Plastic Wall Anchor (C) and a 1/4" predrill for mounting into masonry walls. Use Screw (B) to attach into Plastic Anchor.

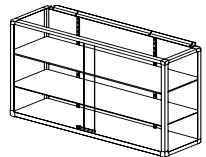
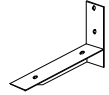


5 Position the Display Case (P-1) on the L Brackets (P2). Secure in place using four Screws (A).


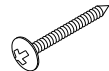
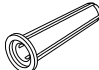
6. Attach the top angle of the Display Case (P1) to the wall using four Screws (B). Install shelves back into case.



Parts List

P-1		Display Case	1 EA
P-2		"L" Angle Bracket	2 EA

Hardware List

A		1/2" Screw	4 EA
B		1 1/4" Screw	8 EA
C		Plastic Wall Anchor	8 EA



**# 90 HC and # 90 W
Wall Mount Display Case**

