



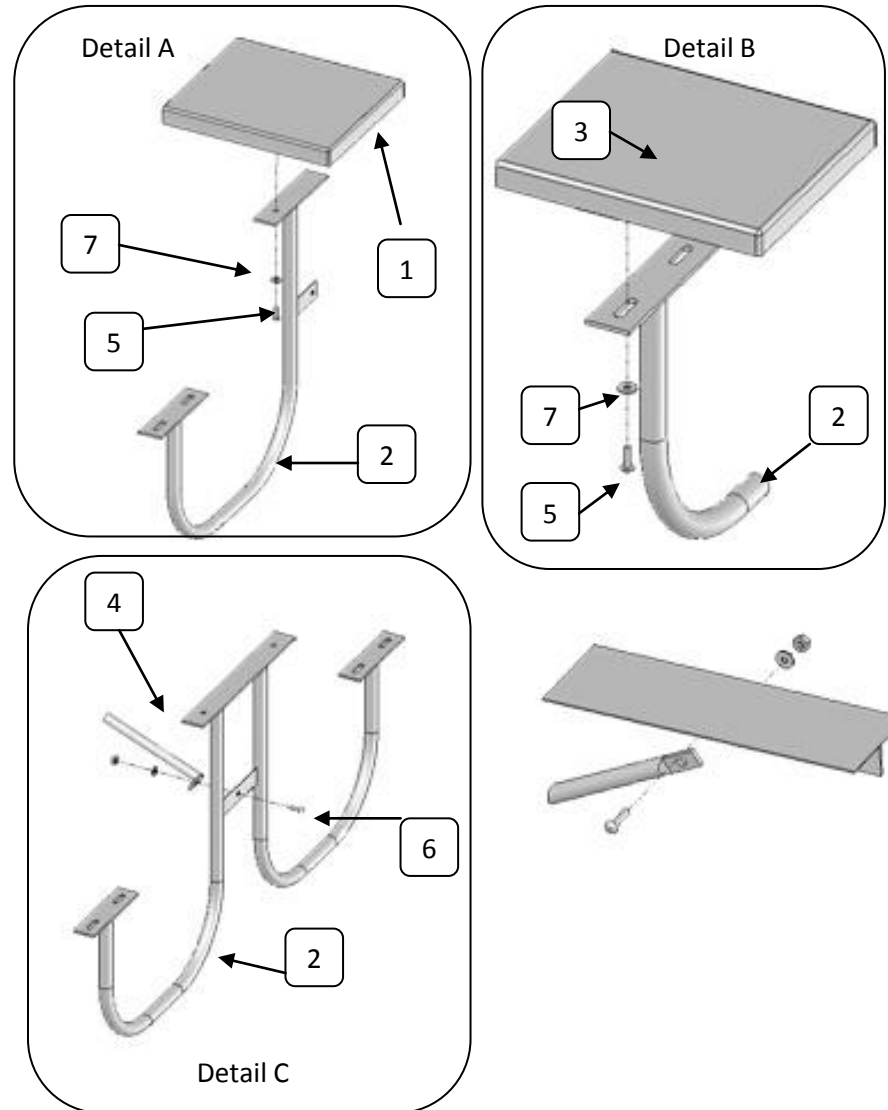
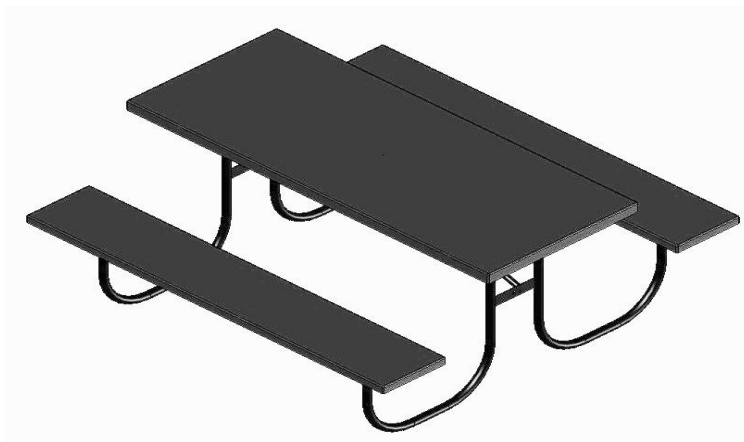
4' Early Years Picnic Table

For Part Number: 602-703

Component Details

Item No.	Part Number	Description	QTY
1	Style Index	Table Top	1
2	613-804	Table Leg	2
3	Style Index	Seat	2
4	603-206	Brace	1
5	126-703	3/8 x 1" Button Head Bolt	14
6	126-701	3/8 x 1 1/4" Button Head Bolt	2
7	316-601	3/8" Washer	20
8	126-602	3/8" Lock Nut	4
9	516-400	Lock Tite	1
10	416-505BPK	7/32 Long Arm Socket Key	1
Total Pieces			48

* View the style and frame index's for component identification and mounting instructions





4' Early Years Picnic Table

For Part Number: 602-703

Important

- Please keep a copy of these instructions in your files. There is important replacement part information in them that will assist you in the event a part is ever needed. Refer to the style and frame index's in order to correctly identify your part numbers should you need to replace them

Assembly Information

- Other than when a specific step in the assembly instructions specifies "to not apply lock tite (8)", we recommend applying a small amount to all assembly bolts.
- Hand-tighten all bolts during the initial assembly (unless specifically told to tighten completely in the instructions). Once the unit is fully assembled and square you should completely tighten them.
- Verify that all parts were received by comparing the parts received to the component list on page one.
- If your product mounts to something (surface mount, in ground or wall mount) you will typically assemble the product before drilling or digging holes in order to ensure proper layout.
- CONTACT YOUR DISTRIBUTOR ABOUT ANY PARTS YOU ARE MISSING. You must report missing parts within 10 days of delivery.

General Maintenance

- It is recommended that you inspect product monthly for loose bolts and broken parts. If replacement parts are needed please refer to these instructions for part numbers and descriptions then call your distributor to order replacements.

Assembly Instructions

1. Assemble Table prior to digging holes and mounting in concrete.
2. Attach the Table Top (1) to the Table Legs (2) by inserting 3/8" x 1" Button head bolts (5) and 3/8" washers (7) through the bottom of the mounting plate on the Table Frame and into the factory installed nuts attached to the brackets on the bottom of the table top (Detail A), do not completely tighten the bolts at this time.
3. Using the 3/8" x 1" (5) bolts and 3/8" washers (7) attach the seats (3) to the frame (2) by inserting bolts through the bottom of the mounting plates of the frame and into the factory installed nuts attached to the bracket on the bottom of the seat (Detail B), do not completely tighten bolts at this time.
4. Next attach the Braces (4) to the tab welded in the center of each Table Leg (2) using the 3/8 x 1 1/4" bolts (6), 3/8" washer (7) (Detail C). Completely tighten these bolts using the 7/32 Allen wrench provided.
5. Finally, square the unit in all directions and tighten the seats and table to the frame (Detail's A and B).
6. Dig holes based on table layout and fill with concrete while table is sitting in holes.

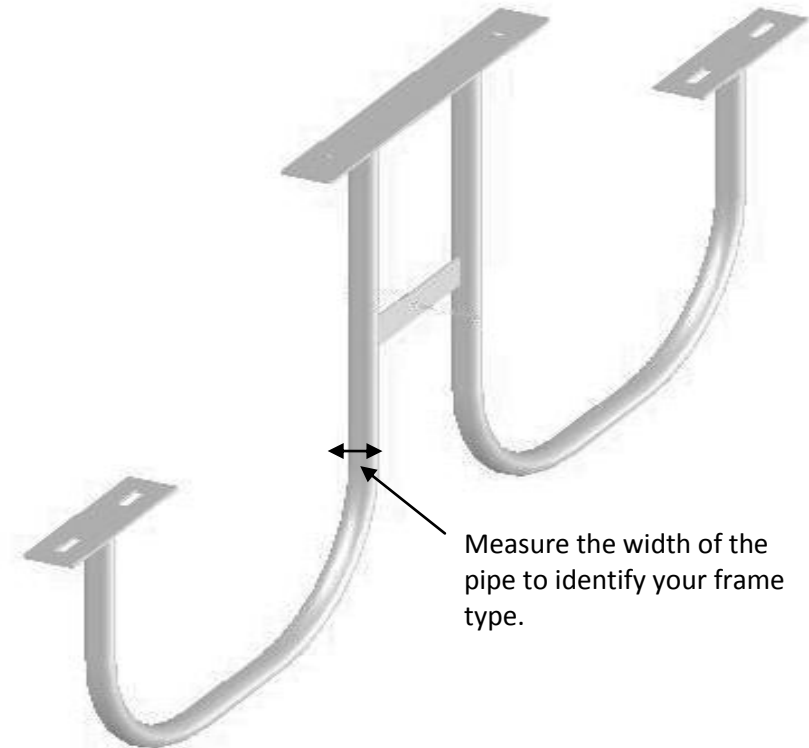


Walk Through Picnic Table Frame and Mount Index

Frame and Mount Identification

There are only two styles of walk through table frames. The difference is in the diameter of the pipe used in the construction of the frame. Simply measure the width of the pipe to identify whether it is 2 3/8" or 1 5/8".

The tables are for the most part portable or surface mount, however the frame itself is the same regardless of how it is mounted. The surface mount bracket is a separate part number. Should you need to order a replacement surface mount bracket you must know the frame size and style in order to ensure you receive the correct bracket



2 3/8" 613-710EYHD

1 5/8" 613-710EYSD



Bench & Table Style Options

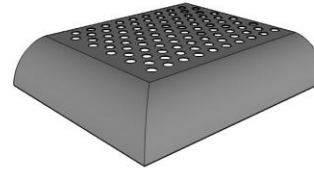
Style Identification

In the event a replacement part is needed, it is important that you are able to identify not only the product but the style of product you ordered. The images to the right represent all the style options that are available for the product you purchased. Please identify your style and it's corresponding part number before you contact your distributor or the manufacturer for replacement parts.

Currently, SportsPlay Equipment offers four style options. Rolled edge with perforated steel, beveled edge with perforated steel, rolled edge with expanded steel and beveled edge with expanded steel.

To identify your product style you must first define the edge. If it has a radius it is a rolled edge and if it has a 45 degree angle it is the beveled edge. Expanded steel is easily identified by it's distinct weaved pattern. The perforated steel option is simply sheet metal that has been punched with a pattern of holes.

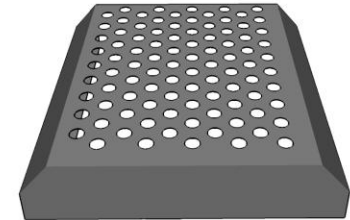
Rolled/Perforated



Bench

Table

Beveled/Perforated



Bench

Table

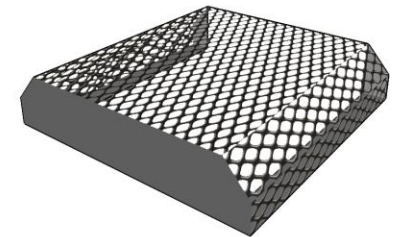
Rolled/Expanded



Bench

Table

Beveled/Expanded



Bench

Table