

FTT595
FTT606
FTT1010
FTT1010-USB

Tech Tub²® Trolley Setup



Assembly Guide

FTT595_606_1010_1010-USB_2016_D

Check out our other products online at
www.copernicused.com

For assistance, please contact us:

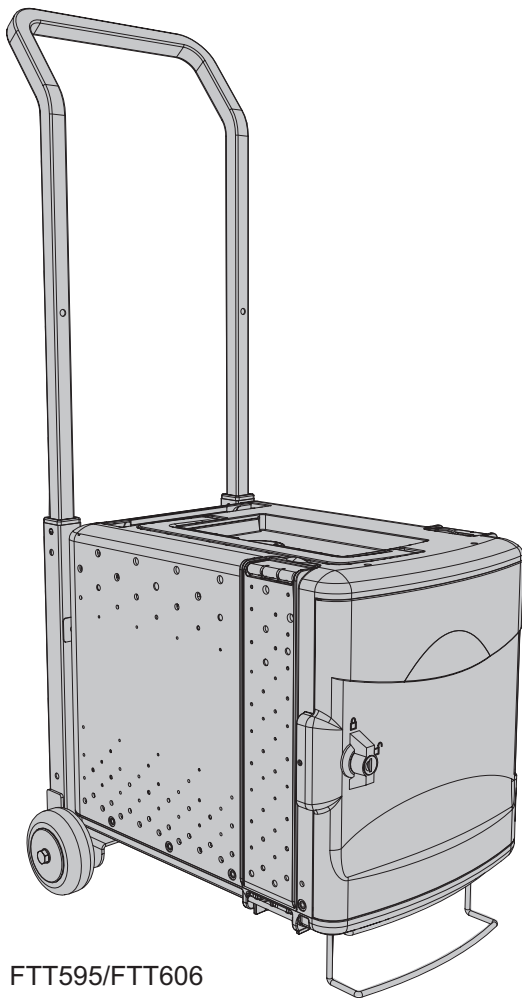
1-800-267-8494

Email info@copernicused.com

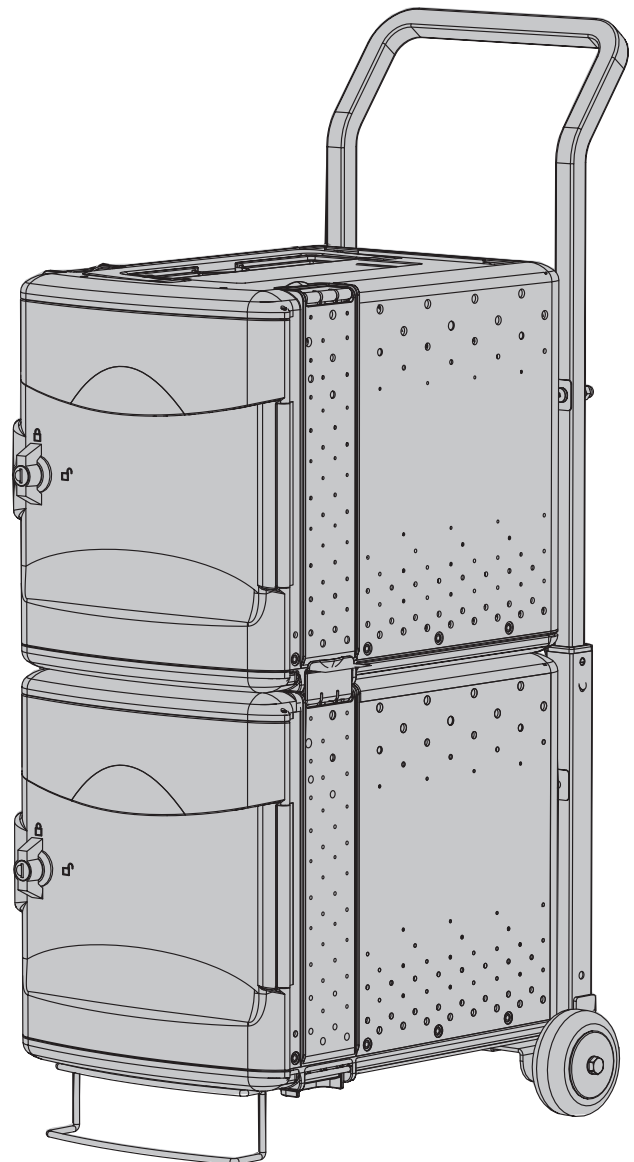
Have your packing slip ready for reference

WARNING !

- This product is meant to be assembled by an adult.
- In its unassembled state, small parts present a hazard.
- To be used under direct supervision of an adult.



FTT595/FTT606



FTT1010/FTT1010-USB



FTT595
FTT606
FTT1010
FTT1010-USB

Tech Tub²® Trolley Setup



Assembly Guide

FTT595_606_1010_1010-USB_2016_D

Check out our other products online at
www.copernicused.com

For assistance, please contact us:

1-800-267-8494

Email info@copernicused.com

Have your packing slip ready for reference

Dear Educator,

Thank you for purchasing one of our products. I hope the Tech Tub²® Trolley is useful in your classroom.

If you have any questions, concerns, or ideas please contact us by telephone at 1-800-267-8494 or email at info@copernicused.com.

Enjoy using your new product and happy teaching.

Jim Phillips
Chief Cook and Bottle Washer



We do not inherit the earth from our ancestors, we borrow it from our children.

Change is the end result of all true learning.

LEO BUSCAGLIA

What you leave behind is not what is engraved in stone monuments, but what is woven into the lives of others.

Education is the most powerful weapon which you can use to change the world.

NELSON MANDELA

NORTH AMERICAN

PROVERB

PERICLES



Validate Your Warranty

To validate your warranty, submit the ON-LINE form at www.copernicused.com
Enter a draw to win a Copernicus Product for your classroom at the same time!



Warning! Hazard Risks!

Please read the warnings below for important safety information regarding your product. Failure to read these warnings or to follow the instructions below could result in personal injury or damage to your product that could void your warranty.



Small
Parts

In its unassembled state, this product contains parts that can be hazardous to small children. This product should be assembled by an adult.



Adult
Supervision

This product is to be used under the supervision of an adult.



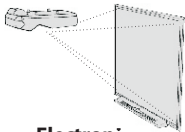
Indoor Use
Only

This product is intended for indoor use only. To reduce the risk of fire or electric shock, do not expose this product to rain or moisture. The internal components are not sealed from the environment.



Power Strip
Specifications

Read your power strip electrical specifications. Only plug in devices that are approved for use with this power strip. Connect the supplied power strip directly to a wall outlet. **Do not connect to another power strip or use an extension cord.** Unplug when not in use. **Do not leave this product plugged in for more than 72 consecutive hours.** Turn off power strip before unplugging.



Electronic
Equipment

Read the electrical specifications of any electronic equipment you are using with your Copernicus products. Failure to read these specifications and follow their instructions could result in damage to your equipment or personal injury.



Cable Trip
Hazard

Ensure that any cables extending across the floor to your product are properly bundled and marked to avoid tripping or falling which may lead to personal injury.



Electrical Shock

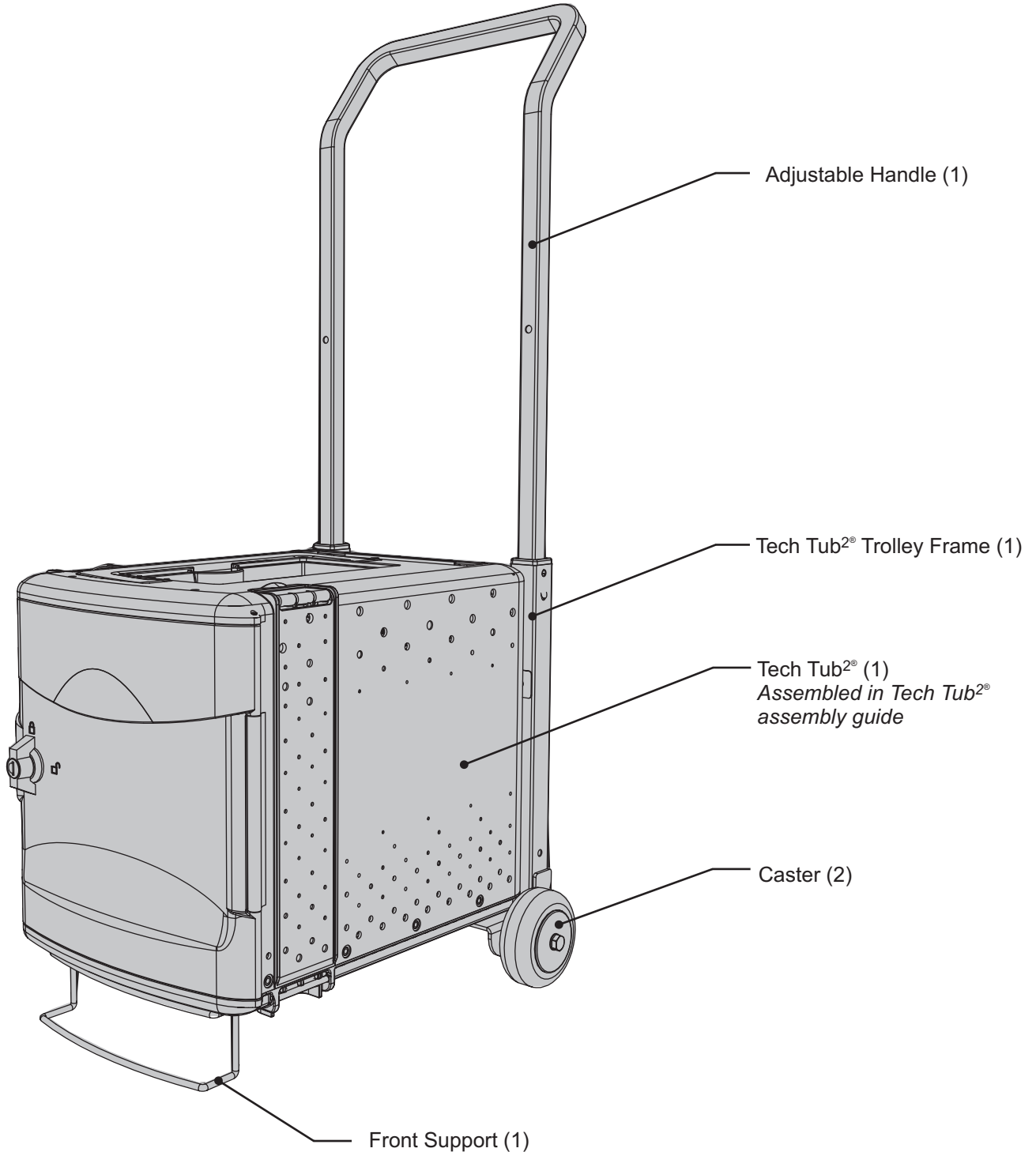
Do not install or use the electrical components of this unit during a lightning storm.



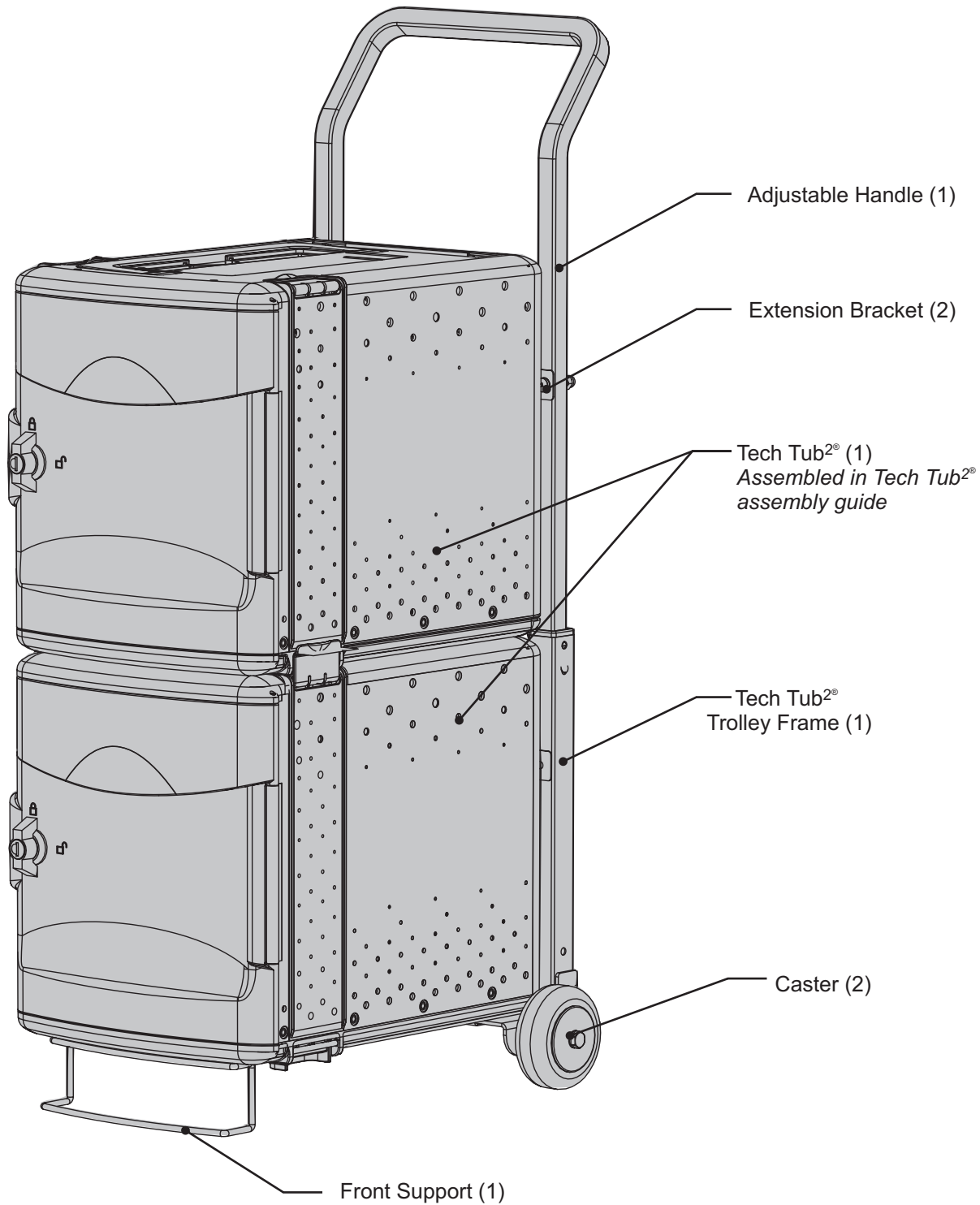
Climb Hazard

Do not climb on, hang from or suspend objects from any components of your product unless otherwise specified.

★ Assembly begins on page 8. ★



★ Assembly begins on page 10. ★



Tips for Assembly

Watch for These Helpful Symbols

This symbol denotes a 2- or 3- Person Task. For safety, please ensure that there are the suggested number of people working on steps displaying this symbol.



Watch for this symbol throughout the Assembly Guide. Wherever you see it, pay close attention. The symbol denotes a step needing extra attention to ensure it is done correctly.



The star symbol highlights an advisory note.



Before You Begin

- Lay out and identify all of the included parts.
- The hardware has been packed according to step.
- Read the assembly guide over once to familiarize yourself with them.



! Please note that in its unassembled state, this product contains parts that can be hazardous to small children. This product should be assembled by an adult.

As You Assemble the Unit

- Follow the steps in sequence.
- Before beginning each step, find the part(s) that you need for that step.
- Pay attention to the labels on the parts; they are there to help direct you at certain stages.
- The title of each step states what you will be doing. Review the text and the pictures as you build the unit.

Customer Service - FAQ's



For missing parts and other issues regarding the product:

- The handle doesn't extend
- I lost the key

Please call Copernicus Customer Service, where we will be happy to help.
1-800-267-8494. Monday - Friday 8:30am - 4:30 pm EST.

OR

Email our Tech Support Service at vanessa@copernicused.com

Need Tech Support? Have a Question?



Email our Tech Support Service

Check out some of our other great products!

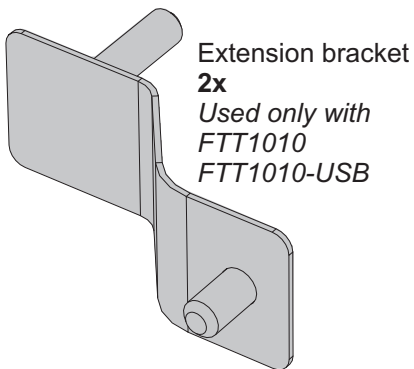
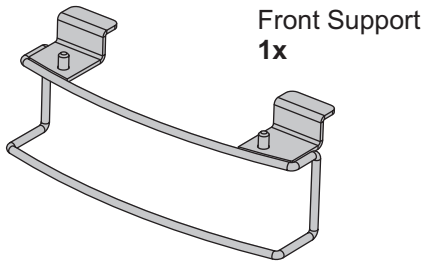
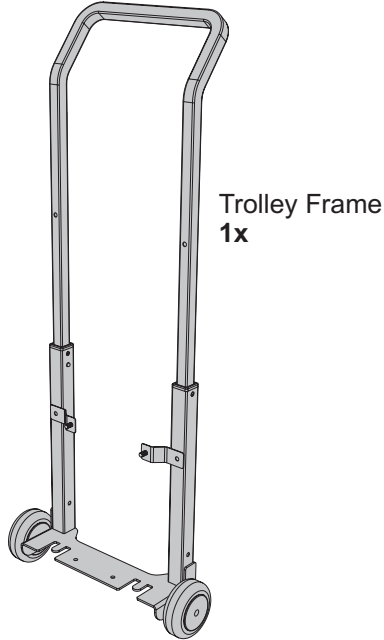


www.copernicused.com










Tech Tub²® Trolley Setup

Before beginning, you should have:

Contents - Box 1



Hardware Actual Size

- (A)  M6 15mm
2x
- (B)  M6 Acorn Nut
4x
- (C)  M6 Washer
6x
- (D)  M6 Lock Washer
4x
- (E)  M6 Lock Nut
2x
- (F)  M5 Washer
4x
- (G)  M5 Lock Nut
4x
-  Allen Key
Not to Scale
(43281)
1x
-  M5/M6 Hex Wrench
Not to Scale
x1

Tech Tub²® Trolley- 6 Device Setup

1

You will need: (Not to Scale)

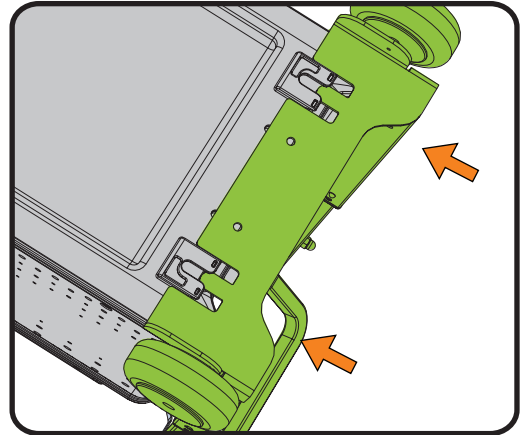
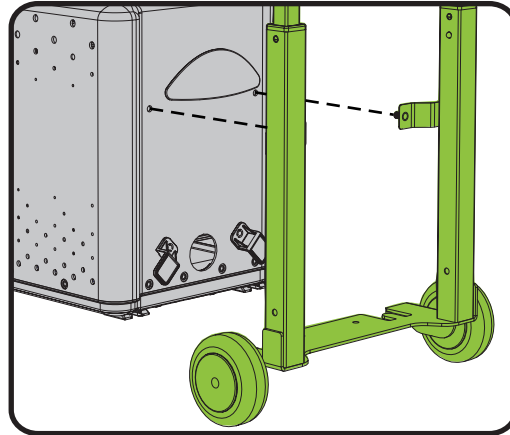
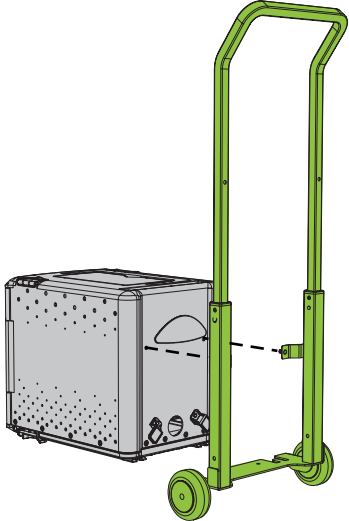
Trolley Frame
x1



If you are installing the
10 Device Trolley
proceed to page 10.

Slide Trolley Frame into Tech Tub²®

Make sure screws on Trolley Frame align with holes on Tech Tub²®



Ensure frame engages with feet
all the way

2

Actual Size:



You will need: (Not to Scale)

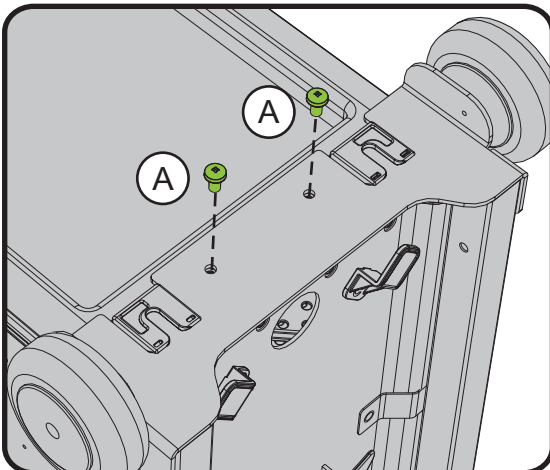
M5/M6 Hex Wrench
Not to Scale
x1

Allen Key
Not to Scale
(43281)
1x

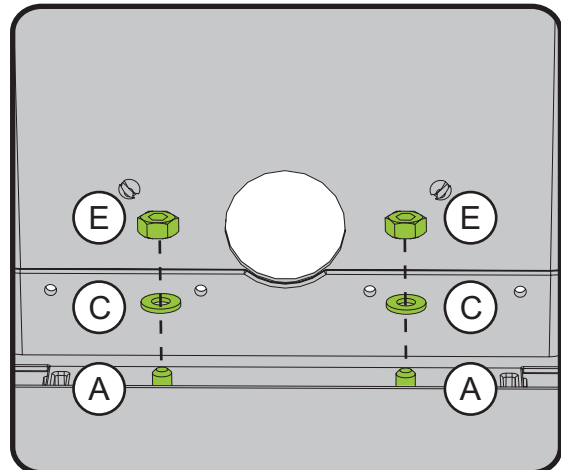


Use Hardware to Permanently Attach Base of Trolley Frame to Tech Tub²®

Hardware is installed through bottom back section of Tech Tub²®



Bottom View



Inside View

3

Actual Size:



G
2x



F
2x

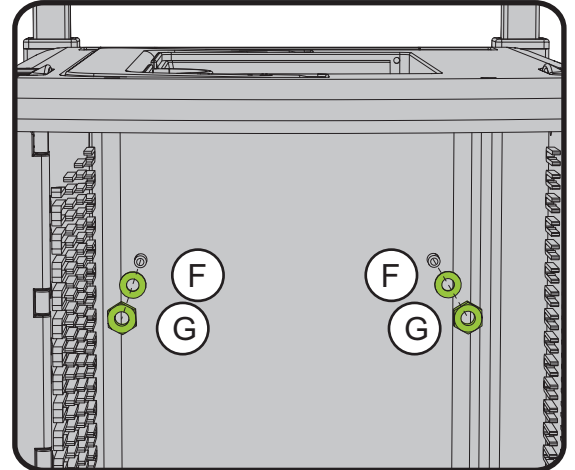
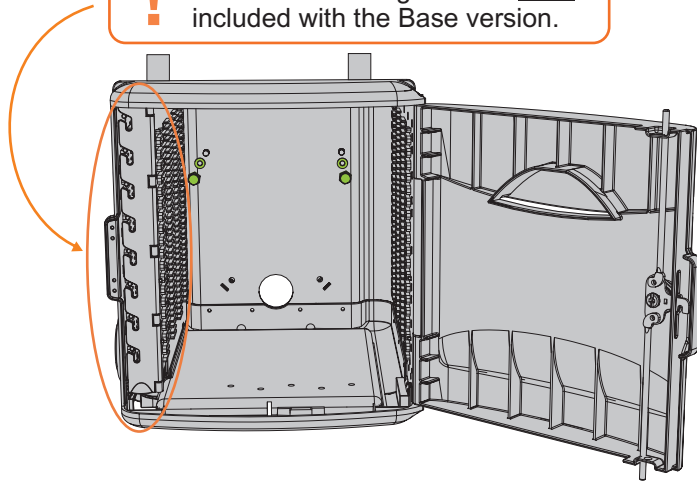
You will need: (Not to Scale)

M5/M6 Hex Wrench
Not to Scale
x1



Use Hardware to Permanently Attach Uprights of Trolley Frame to Tech Tub² Hardware is installed through inside of Tech Tub²

! The side cable organizer is NOT included with the Base version.



Inside View

4

Actual Size:



B
2x

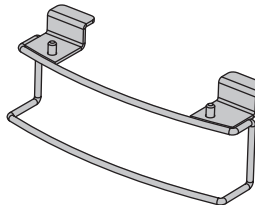


D
2x



C
2x

You will need: (Not to Scale)

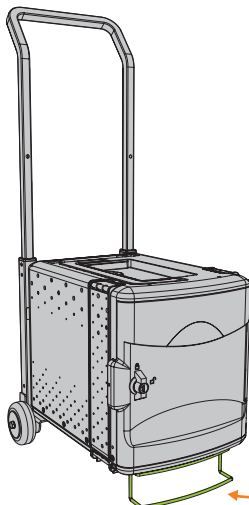


Front Support
x1

M5/M6 Hex Wrench
Not to Scale
x1

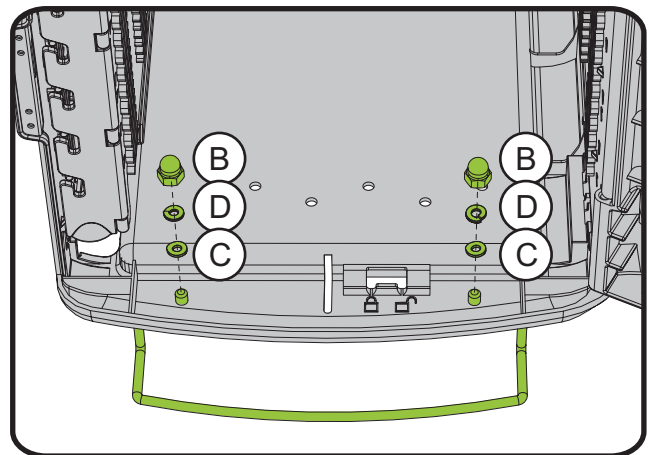


Attach Front Support to Bottom of Tech Tub²








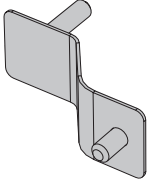



★ Tighten all hardware.
Be sure not to over tighten.

Note Orientation of Front Support

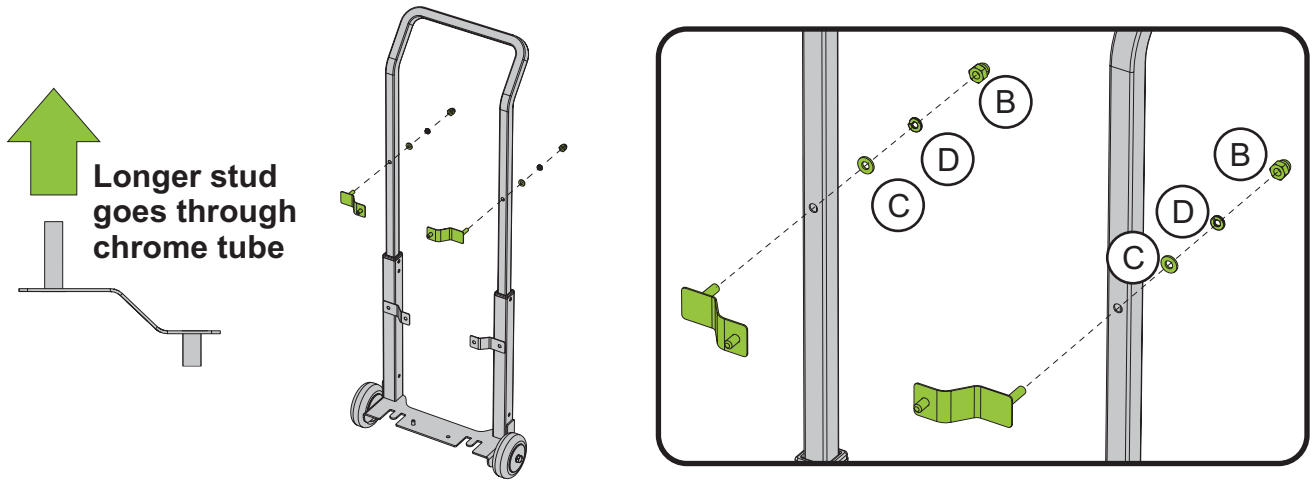


For Tech Tub² - 6 device set up follow the assembly guide found in the tub shipping box.

1	Actual Size:			 (B) 2x		 (C) 2x	 (D) 2x
	You will need: (Not to Scale)	M5/M6 Hex Wrench Not to Scale x1 	Extension Bracket x2 	Trolley Frame x1 			

Attach Extension Brackets to Trolley Frame

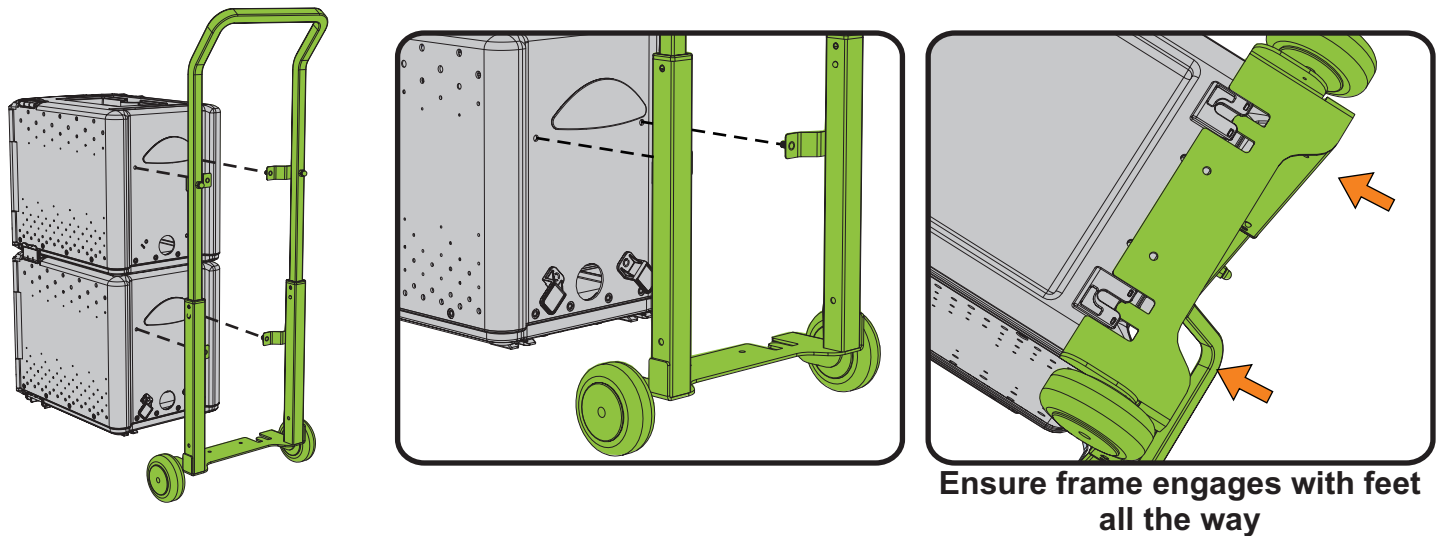
Pay attention to orientation of brackets when installing



2	You will need: (Not to Scale)	Trolley Frame x1 
---	-------------------------------	--

Slide Trolley Frame into Tech Tub²®

Make sure screws on Trolley Frame align with holes on Tech Tub²®



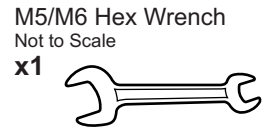
Ensure frame engages with feet all the way

3

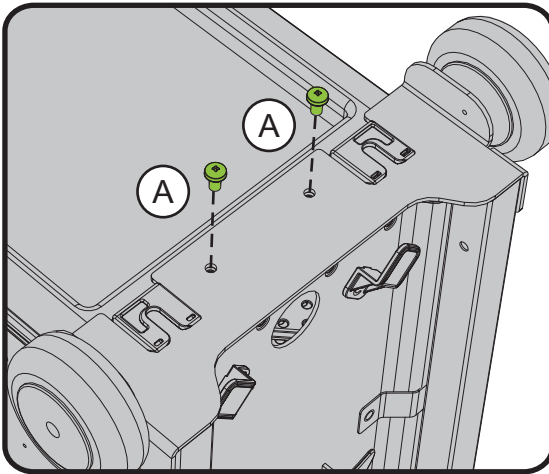
Actual Size:



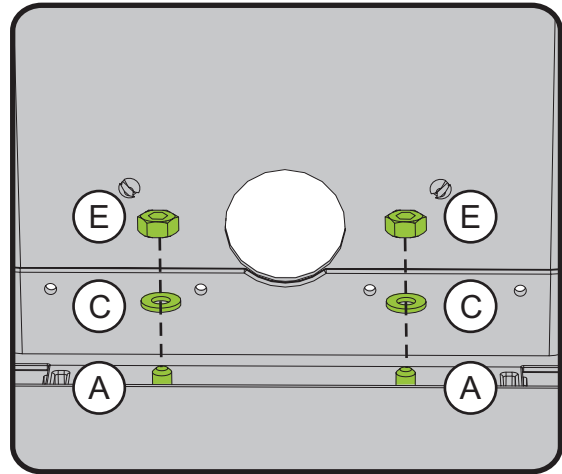
You will need: (Not to Scale)



Use Hardware to Permanently Attach Base of Trolley Frame to Tech Tub²
Hardware is installed through bottom back section of Tech Tub²



Bottom View



Inside View

4

Actual Size:

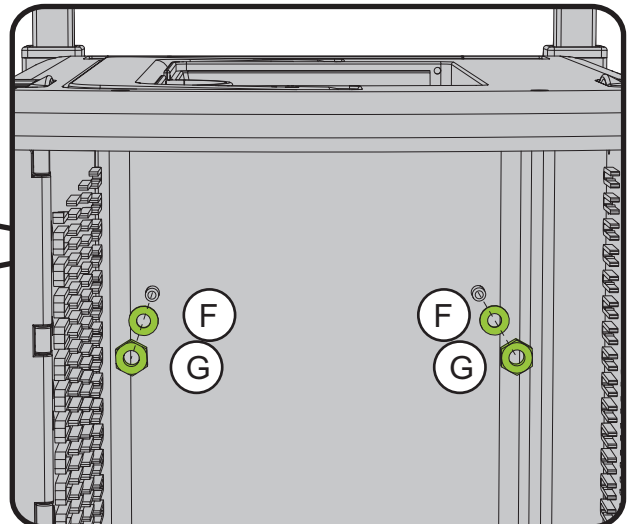
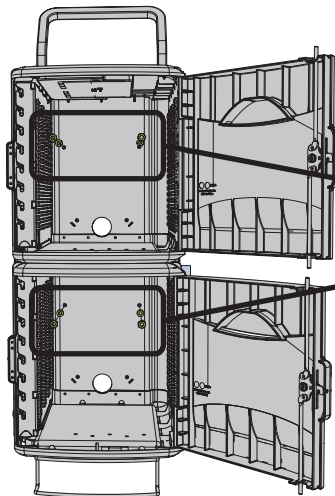


You will need: (Not to Scale)

M5/M6 Hex Wrench
Not to Scale
x1



Use Hardware to Permanently Attach Uprights of Trolley Frame to Tech Tub²
Hardware is installed through inside of Tech Tub²



5

Actual Size:



B
2x



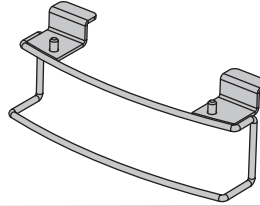
D
2x



C
2x

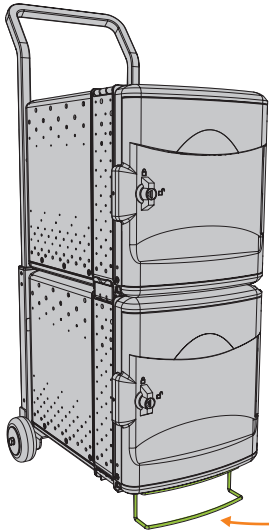
You will need: (Not to Scale)

M5/M6 Hex Wrench
Not to Scale
x1



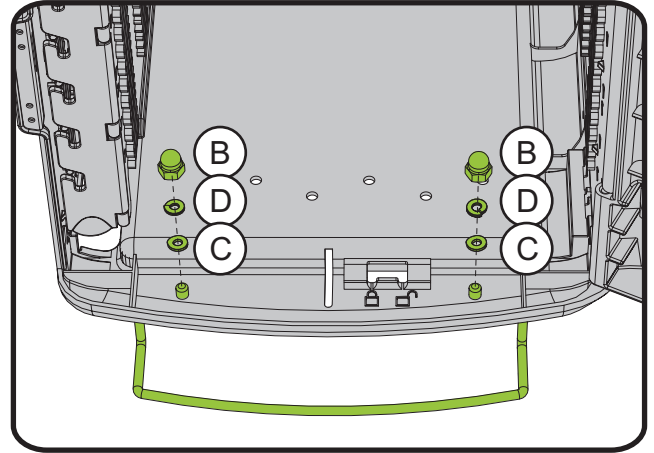
Front Support
x1

Attach Front Support to bottom of Tech Tub²[®]



★ Tighten all hardware.
Be sure not to over tighten.

Note Orientation of Front Support



For Tech Tub²[®] - 10 device set up follow the assembly guide found in the tub shipping box.