

# Tech Tub<sup>2</sup>® Premium Cart



## Assembly Guide FTT400\_2016\_A

Check out our other products online at  
[www.copernicused.com](http://www.copernicused.com)

For assistance, please contact us:

**1-800-267-8494**

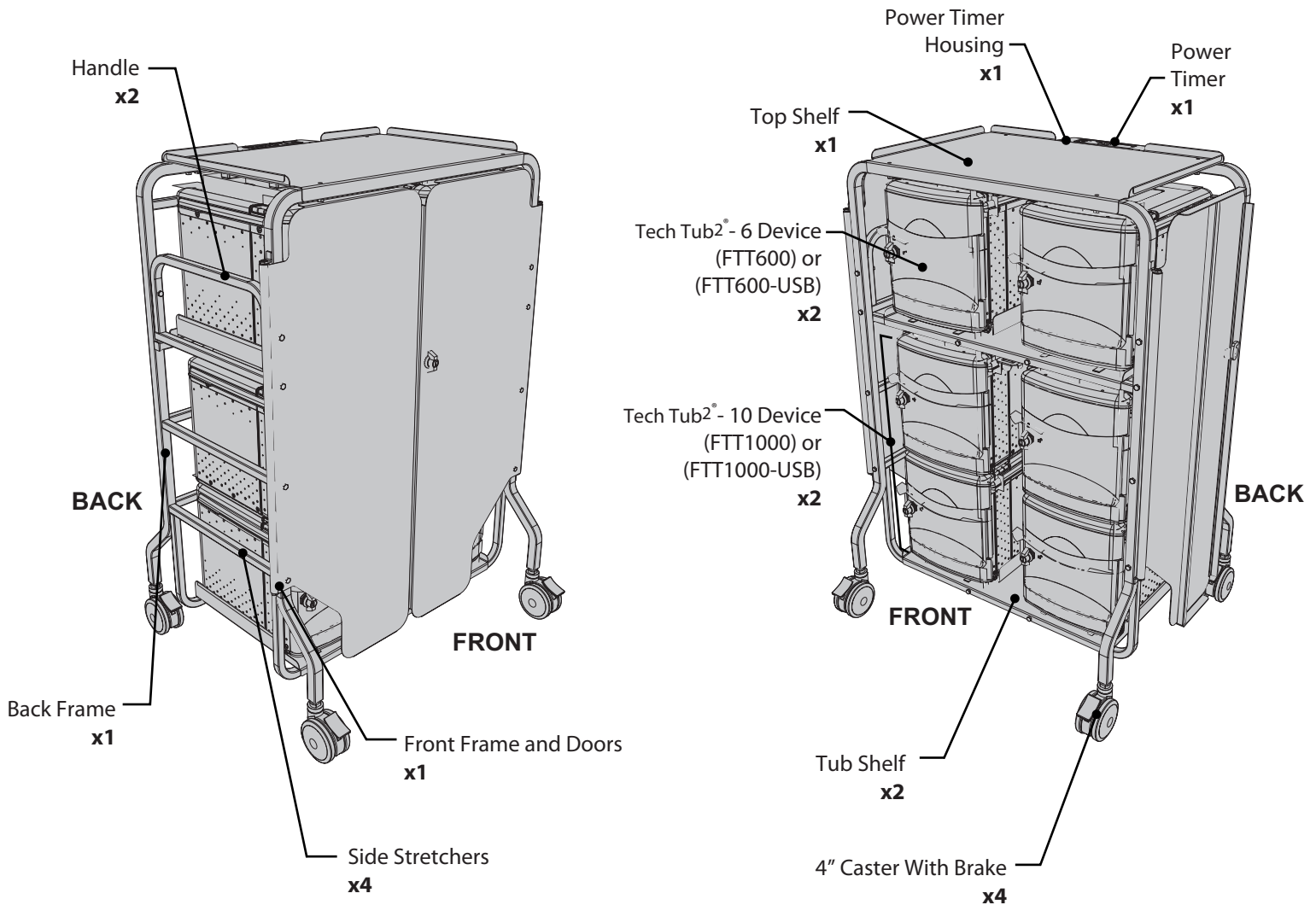
Email [info@copernicused.com](mailto:info@copernicused.com)

Have your packing slip ready for reference

### WARNING !

- This product is meant to be assembled by an adult.
- In its unassembled state, small parts present a hazard.
- To be used under direct supervision of an adult.

### 32 Device Premium Cart



# Tech Tub<sup>2</sup>® Premium Cart



## Assembly Guide FTT400\_2016\_A

Check out our other products online at  
[www.copernicused.com](http://www.copernicused.com)

For assistance, please contact us:

**1-800-267-8494**

Email [info@copernicused.com](mailto:info@copernicused.com)

**Have your packing slip ready for reference**

Dear Educator,

Thank you for purchasing one of our products. I hope that the Tech Tub<sup>2</sup>® Premium Cart is useful in your classroom.

If you have any questions, concerns, or ideas please contact us by telephone at 1-800-267-8494 or email at [info@copernicused.com](mailto:info@copernicused.com).

Enjoy using your new product and happy teaching.

*Jim Phillips*  
Chief Cook and Bottle Washer



We do not inherit the earth from our ancestors, we borrow it from our children.

Change is the end result of all true learning.

LEO BUSCAGLIA

NORTH AMERICAN  
PROVERB

What you leave behind is not what is engraved in stone monuments, but what is woven into the lives of others.

PERICLES

Education is the most powerful weapon which you can use to change the world.

NELSON MANDELA



### Validate Your Warranty

To validate your warranty, submit the ON-LINE form at [www.copernicused.com](http://www.copernicused.com)  
**Enter a draw to win a Copernicus Product for your classroom at the same time!**

# Tips for Assembly

## Watch for These Helpful Symbols

This symbol denotes a 2-Person Task. For safety, please ensure that there are the suggested number of people working on steps displaying this symbol.



Watch for this symbol throughout the Assembly Guide. Wherever you see it, pay close attention. The symbol denotes a step needing extra attention to ensure it is done correctly.



The star symbol highlights an advisory note.



## Before You Begin

- Lay out and identify all of the included parts.
- The hardware has been packed according to step.
- Read the assembly guide over once to familiarize yourself with them.



**!** Please note that in its unassembled state, this product contains parts that can be hazardous to small children. This product should be assembled by an adult.

## As You Assemble the Unit

- Follow the steps in sequence.
- Before beginning each step, find the part(s) that you need for that step.
- Pay attention to the labels on the parts; they are there to help direct you at certain stages.
- The title of each step states what you will be doing. Review the text and the pictures as you build the unit.

# Customer Service - FAQ's



**For missing parts and other issues regarding this product:**  
- I lost the key to, how can I get a new one?

*Please call Copernicus Customer Service, where we will be happy to help.  
1-800-267-8494. Monday - Friday 8:30am - 4:30 pm EST.*

*OR  
Email our Tech Support Service at [info@copernicused.com](mailto:info@copernicused.com)*

**Need Tech Support?  
Have a Question?**



*Email our Tech Support Service*

**Check out some of our  
other great products!**



*[www.copernicused.com](http://www.copernicused.com)*



# Warning! Hazard Risks!

Please read the warnings below for important safety information regarding your product. Failure to read these warnings or to follow the instructions below could result in personal injury or damage to your product that could void your warranty.



Small  
Parts

In its unassembled state, this product contains parts that can be hazardous to small children. This product should be assembled by an adult.



Adult  
Supervision

This product is to be used under the supervision of an adult.



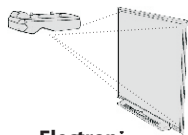
Indoor Use  
Only

This product is intended for indoor use only. To reduce the risk of fire or electric shock, do not expose this product to rain or moisture. The internal components are not sealed from the environment.



Power Strip  
Specifications

Read your power strip electrical specifications. Only plug in devices that are approved for use with this power strip. Connect the supplied power strip directly to a wall outlet. **Do not connect to another power strip or use an extension cord.** Unplug when not in use. **Do not leave this product plugged in for more than 72 consecutive hours.** Turn off power strip before unplugging.



Electronic  
Equipment

Read the electrical specifications of any electronic equipment you are using with your Copernicus products. Failure to read these specifications and follow their instructions could result in damage to your equipment or personal injury.



Cable Trip  
Hazard

Ensure that any cables extending across the floor to your product are properly bundled and marked to avoid tripping or falling which may lead to personal injury.



Electrical Shock

Do not install or use the electrical components of this unit during a lightning storm.



Climb Hazard

Do not climb on, hang from or suspend objects from any components of your product unless otherwise specified.

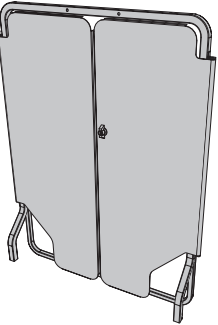
# Tech Tub<sup>2</sup> Premium Cart

## Before beginning, you should have:


Additional tools required:

Philips Head Screwdriver (+)

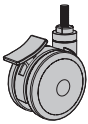
**FTT400-0**



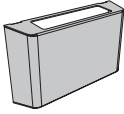
Front Frame & Doors  
x1



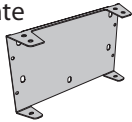
Back Frame  
x1



4" Caster With Brake  
x4



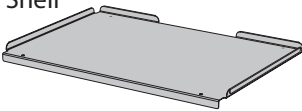
Power Timer Front Cover  
x1



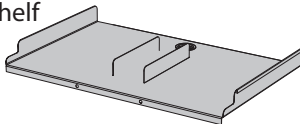
Power Timer Mounting Plate  
x1

*In Box 1*

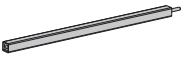
**FTT400-1**



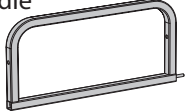
Top Shelf  
x1



Tub Shelf  
x2



Side Stretcher  
x4

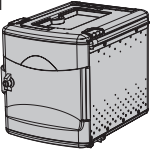


Side Handle  
x2

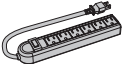
**Note:** Power Timer will be shipped inside the box labeled FTT600-D

**FTT600-A (x2)**

Tech Tub 2<sup>®</sup> (FTT600-0)  
x1

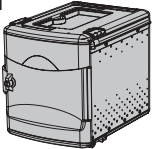


6 outlet Power Strip  
x1 (25515)




**FTT600-B (x2)**

Tech Tub 2<sup>®</sup> (FTT600-0)  
x1

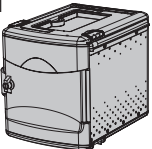


10 outlet Power Strip  
x1 (255159)

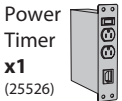


**FTT600-D (x1)**


Tech Tub 2<sup>®</sup> (FTT600-0)  
x1



Power Timer  
x1 (25526)

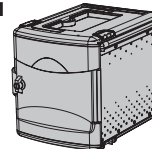


Power Timer Cable  
x1




**FTT600-0 (x1)**


Tech Tub 2<sup>®</sup> (FTT600-0)  
x1




**Hardware**  
Actual Size



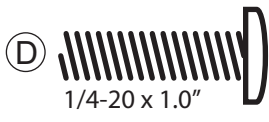
**A** 1/4-20 x 2.0"  
x4




**B** 1/4-20 x 1.5"  
x12



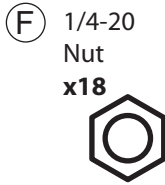
**C** 1/4-20 x 1.0"  
x4



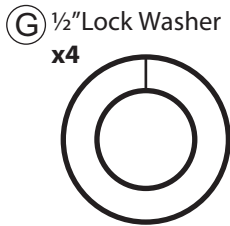
**D** 1/4-20 x 1.0"  
x2



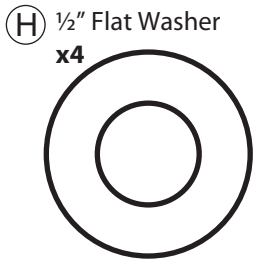
**E** 1/4" Star Washer  
x46




**F** 1/4-20 Nut  
x18



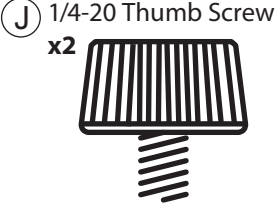
**G** 1/2" Lock Washer  
x4



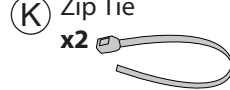
**H** 1/2" Flat Washer  
x4



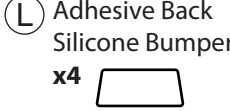
**I** 1/4-20 Thumb Nut  
x4



**J** 1/4-20 Thumb Screw  
x2




**K** Zip Tie  
x2

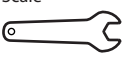


**L** Adhesive Back Silicone Bumper  
x4

Caster Wrench  
Not to Scale  
x1



7/16" Hex Wrench  
Not to Scale  
x2



1

Actual Size:



(A) 1/4-20 x 2.0" x2



(B) 1/4-20 x 1.5" x6



(E) 1/4" Star Washer x10



(F) 1/4-20 Nut x2



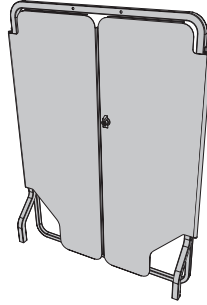
2-Person Task

You will need: (Not to Scale)

7/16" Hex Wrench  
Not to Scale

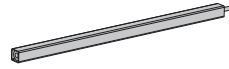


x2



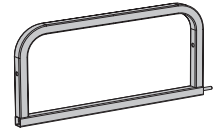
Front Frame & Doors

x1



Side Stretcher

x4



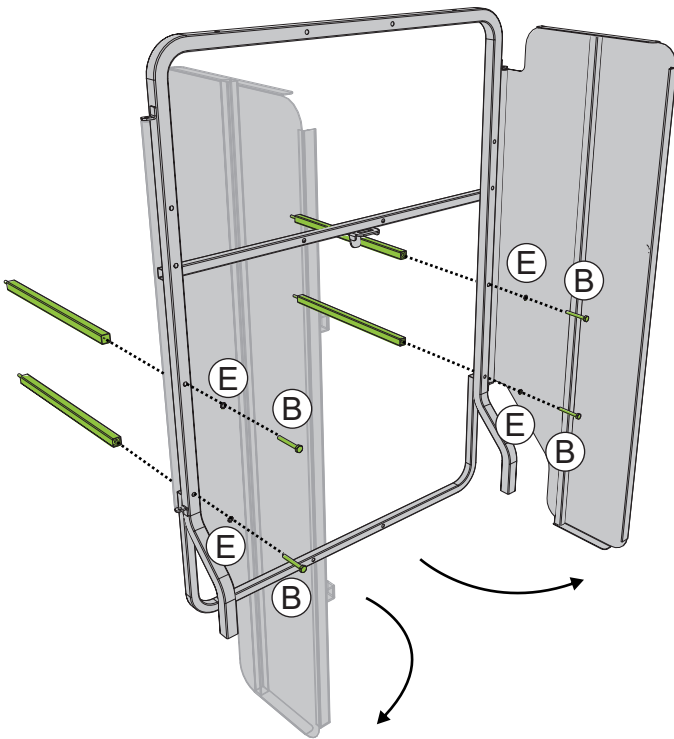
Side Handle

x2

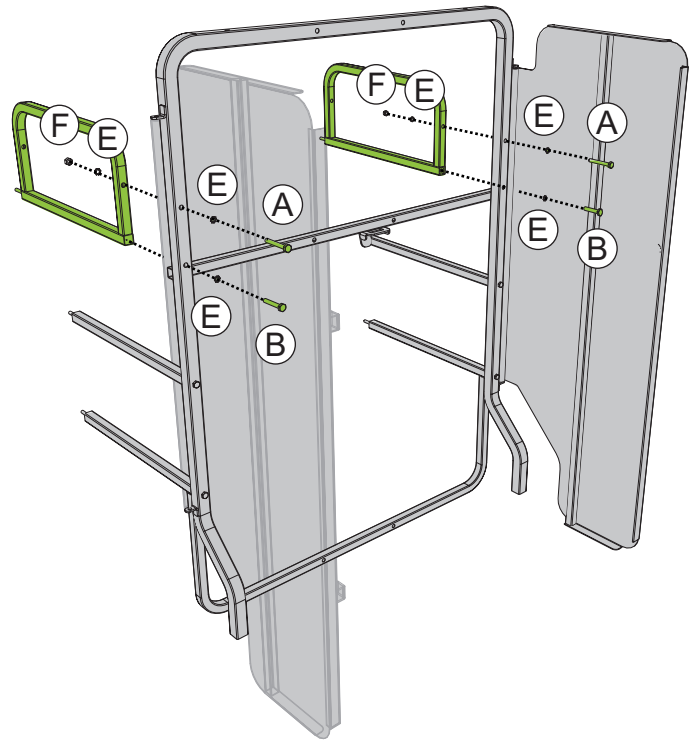
## Attach the Side Stretchers and Side Handles

**!** Note: Open doors so they are perpendicular to the frame(as shown). This will allow the frame to stand upright on its own while you attach the stretchers and handles.

### 1 Attach Side Stretchers to Front Frame



### 2 Attach Side Handles to Front Frame



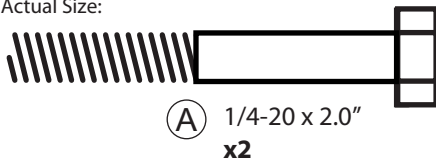
**!** Please note, star washers are critical components for electrical safety. Star washers must be included and fasteners fully tightened to prevent the risk of electric shock.



(E) M6 Star Washer x10

2

Actual Size:



F



E

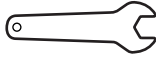


You will need:  
(Not to Scale)



2-Person Task

7/16" Hex Wrench  
Not to Scale  
x2



### Join the Back Frame to Side Stretchers and Handles

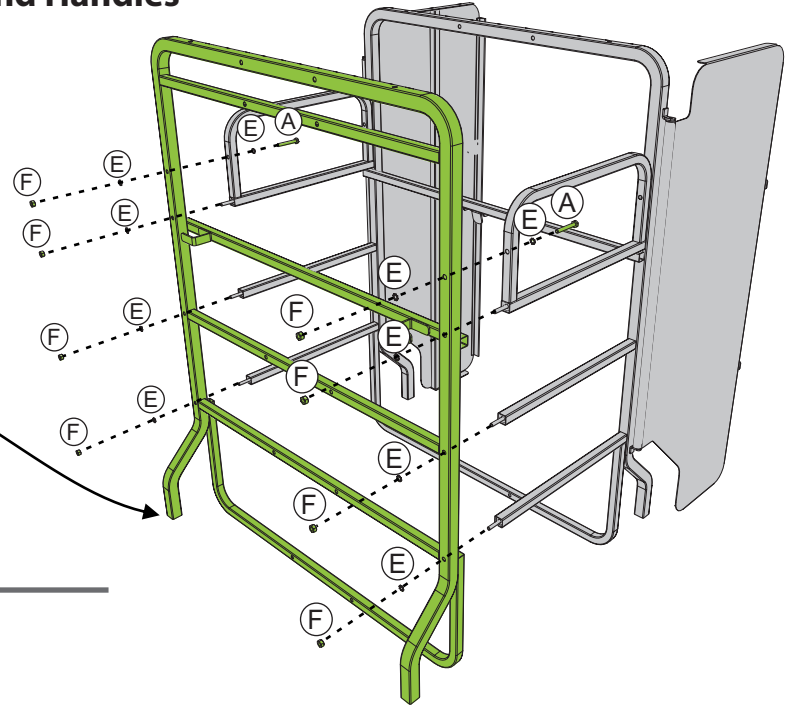


**Important electrical safety component.**

E



**Note:** Before attaching the back frame, ensure the legs of the frame point outward as shown.



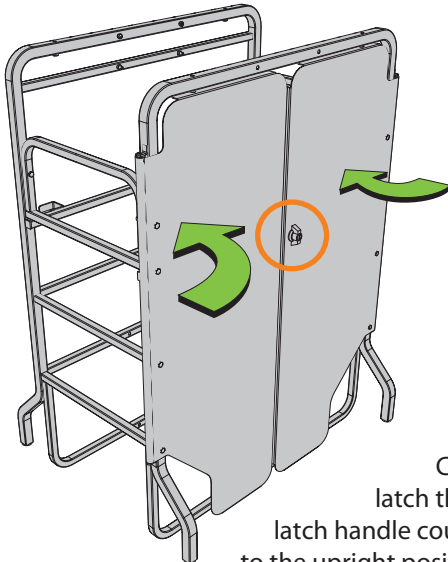
3



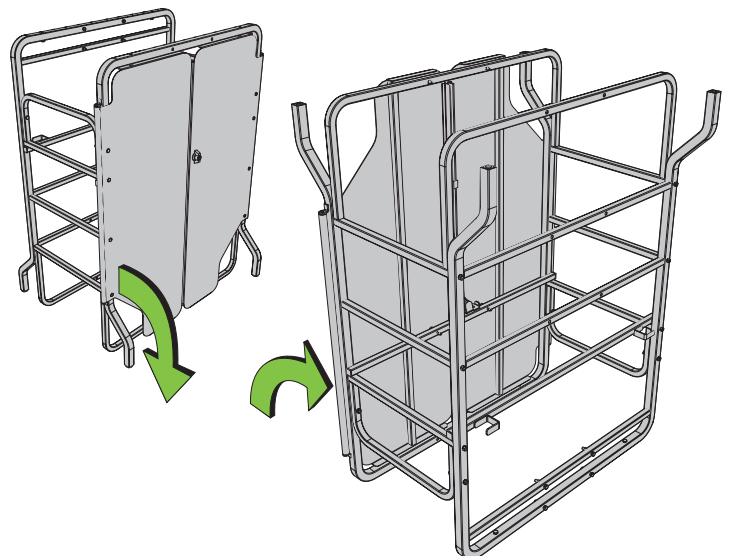
2-Person Task

### Turn Cart Over

① Close and latch front doors

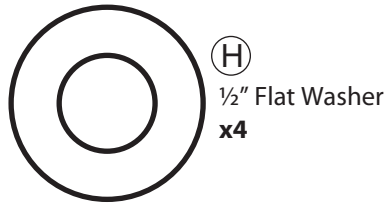
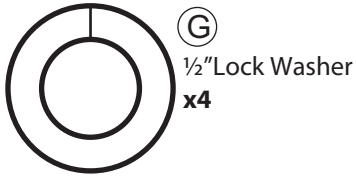


② Flip frame over onto its head



4

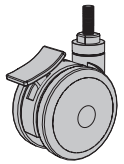
Actual Size:



You will need:

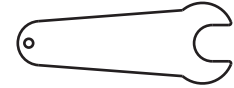
(Not to Scale)

4" Caster With Brake  
4x



Caster Wrench

x1

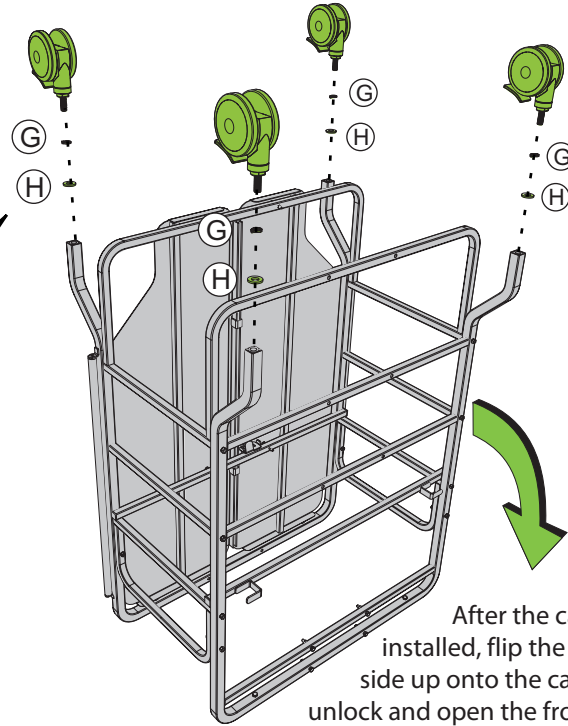
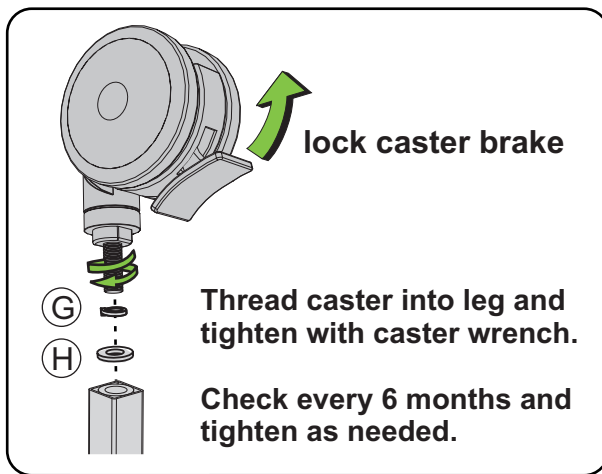


2-Person Task

### Install Casters

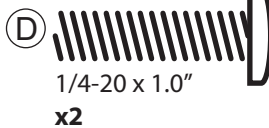
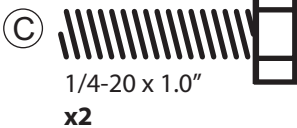
**Note**

Lock the caster by pressing down on the brake. This will enable you to quickly screw the caster into the tube most of the way. Use the caster wrench to fully tighten the casters.



5

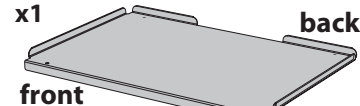
Actual Size:



You will need: (Not to Scale)

Top Shelf

x1



7/16" Hex Wrench  
Not to Scale

x2

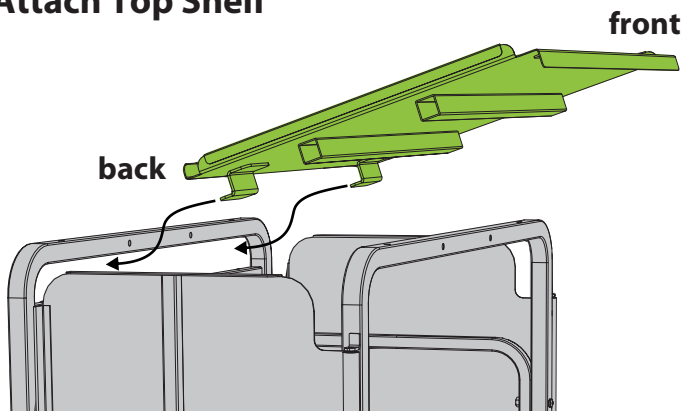


Philips Head Screwdriver

x1



### Attach Top Shelf



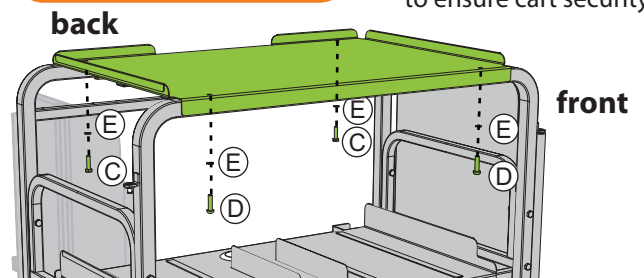
① Hook back of shelf under back frame

**Important electrical safety component.**



**Note**

Ensure screws **D** are used on the front and hex head bolts **C** are used on the back to ensure cart security.

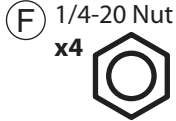


② Fasten shelf to front and back frame



6

Actual Size: (B) 1/4-20 x 1.5" x4



(E) 1/4" Star Washer x8

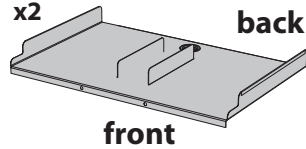


(L) Adhesive Backed Silicone Bumper x4



You will need: (Not to Scale)

Tub Shelf x2

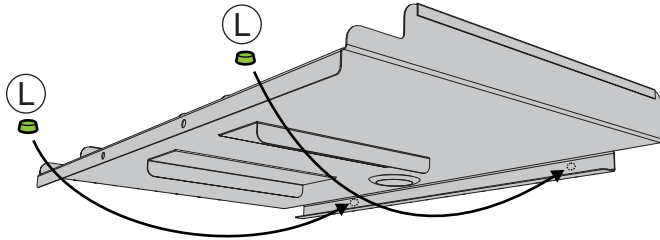


7/16" Hex Wrench Not to Scale

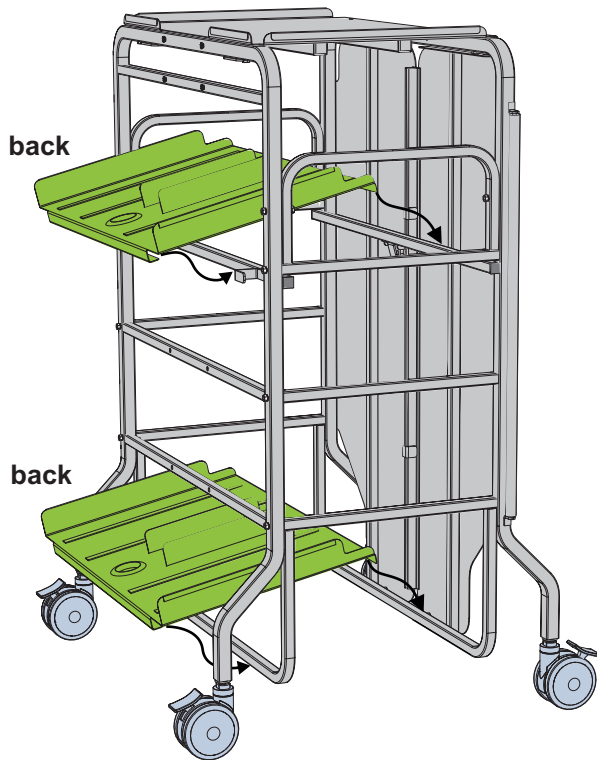


### Install Tub Shelves onto Cart

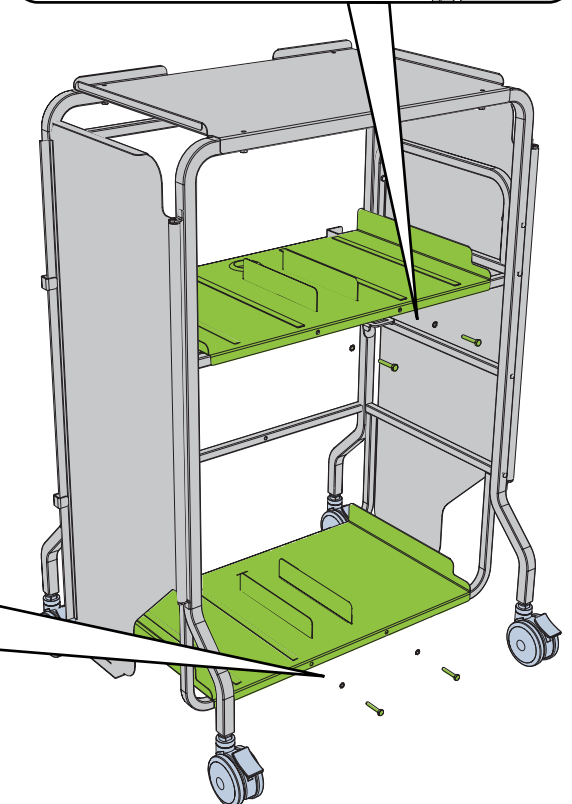
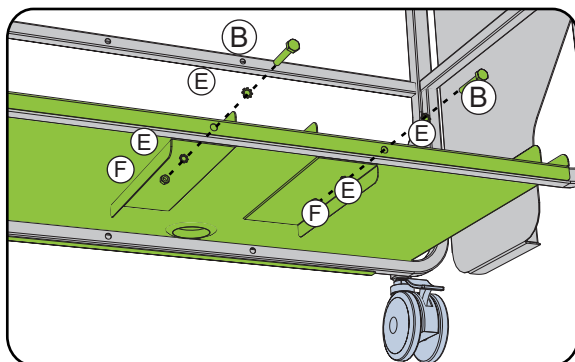
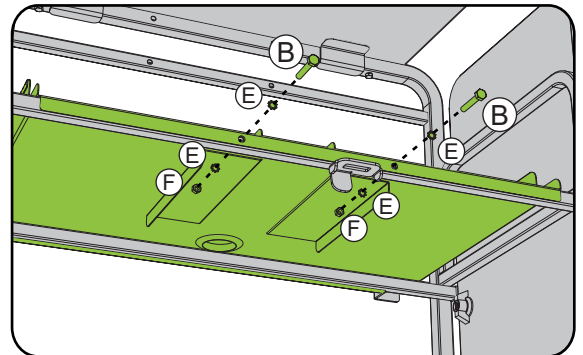
1 Apply Adhesive Backed Silicone Bumpers to inside face of back flange of both Tub Shelves.



2 Hook back flange of Tub Shelf under back frame and swing front edge down overtop of front frame



3 Fasten front of shelves to front frame

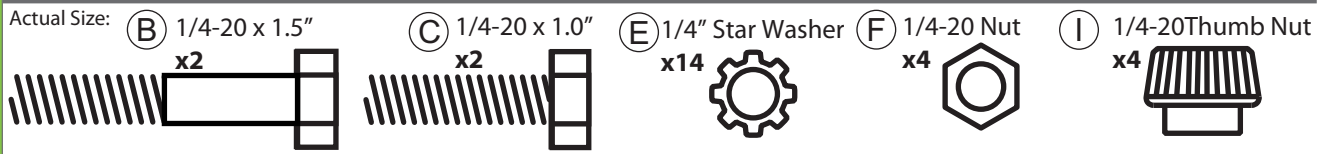


Important electrical safety component.

(E) M6 Star Washer x8

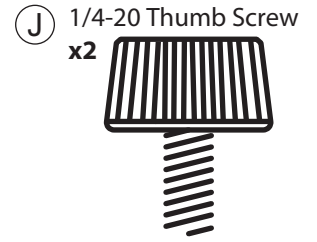
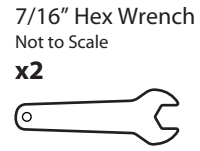
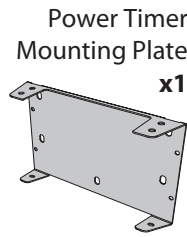
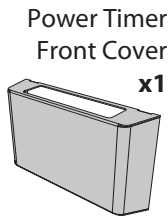
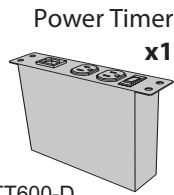
Note  
The Adhesive Backed Silicone Bumpers create a snug fit between the front of the Tub Shelf and the front frame. You may need to pull on the front edge of the shelf to get it over the front frame.

7



You will need:  
(Not to Scale)

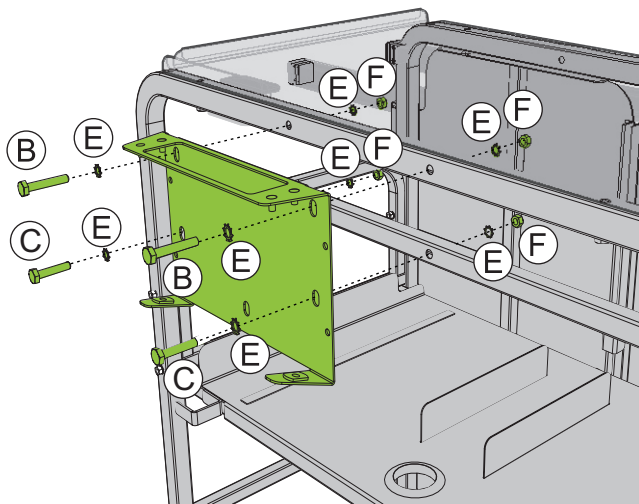
**Note:**  
Power Timer will be shipped inside the box labelled FTT600-D



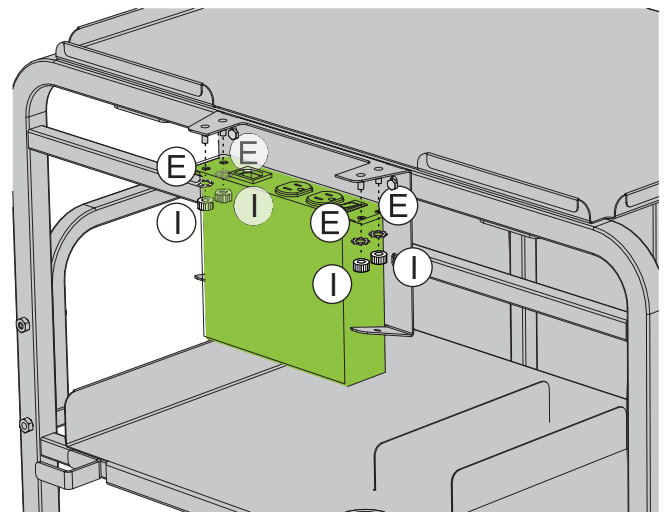
## Attach Power Timer

**Important electrical safety component.** (E) M6 Star Washer x14

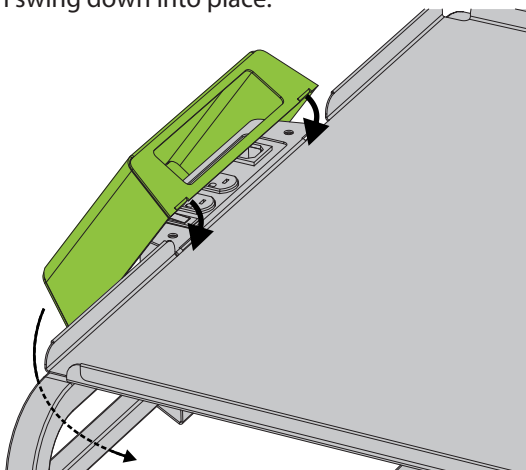
① Install Power Timer Mounting Bracket  
TOP SHELF TRANSPARENT TO SHOW HARDWARE



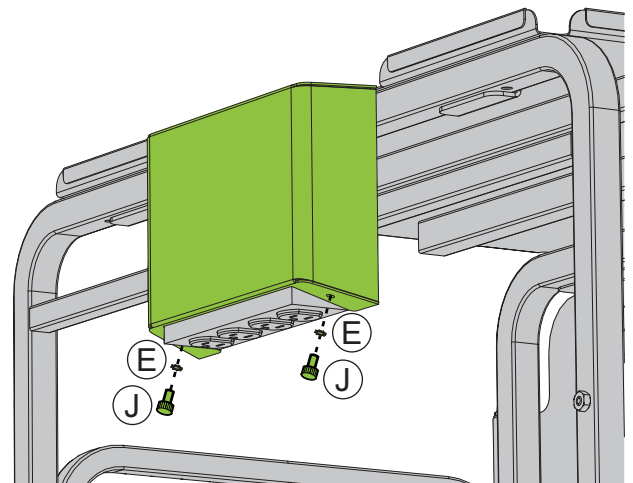
② Install Power Timer On Mounting Bracket



③ Install Power Timer Front Cover  
Hook top of cover onto mounting bracket then swing down into place.

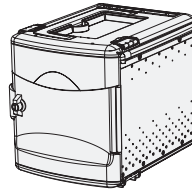


④ Secure Power Timer Front Cover



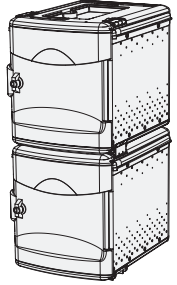
You will need: (Not to Scale)

**Note:**  
 Please follow the assembly instructions that accompanied your Tech Tub<sup>2</sup> to get it ready for installation on the Cart.



Tech Tub<sup>2</sup> - 6 Device  
 (FTT600) or (FTT600-USB)  
 x2

Tech Tub<sup>2</sup> - 10 Device  
 (FTT1000) or (FTT1000-USB)  
 x2

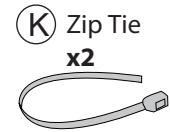


## Install Tech Tub<sup>2</sup> onto Cart.

Slide the 10 device tubs onto the lower shelf and put the 6 device tubs on the upper shelf.



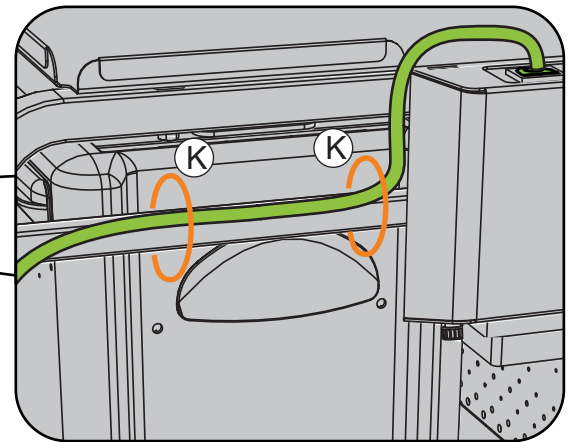
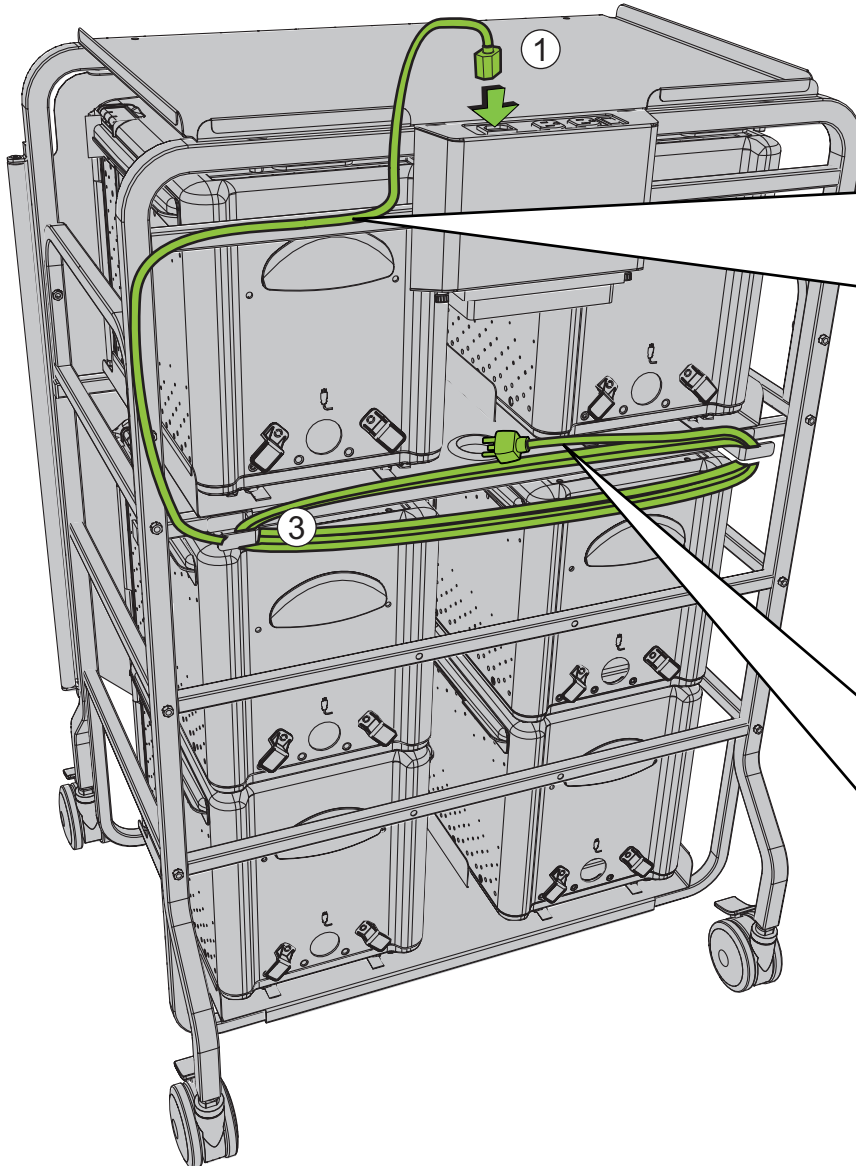
You will need: (Not to Scale)



## Attach Power Cable to Power Timer

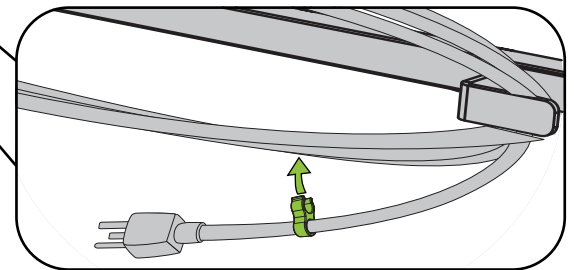
① Plug the power timer cable into the power timer

② Zip tie power cable to back frame in two locations (as shown).



③ Wrap the excess length around the back cable hooks.

④ Secure cable using cable clip



Once the cable has been zip tied in place, trim any excess length off the end of the zip ties.



**Watch this video for more information on cabling your Tech Tub2®**

[www.copernicused.com/tech-tub2](http://www.copernicused.com/tech-tub2)

## Plug In Tech Tub2® Power Cords

Feed all the Tech Tub2® power cables into the Power Timer (as shown).

Ensure the power cables coming from the bottom feed through the grommet on the middle shelf.

To keep the power cables organized keep the excess length of cable wrapped on the back of the Tech Tub2®. Leave enough slack to prevent unnecessary strain on the power cables or power timer.

