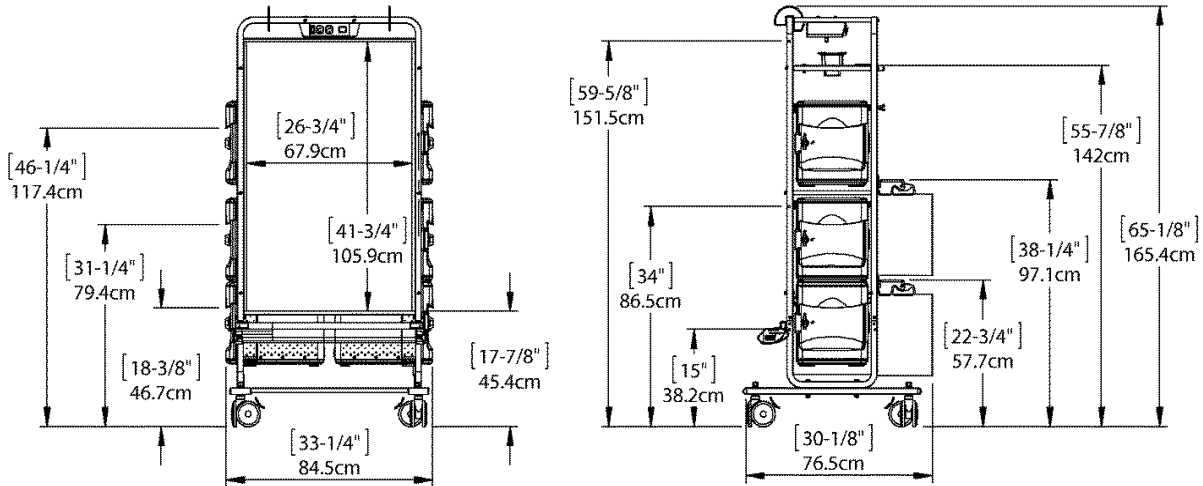
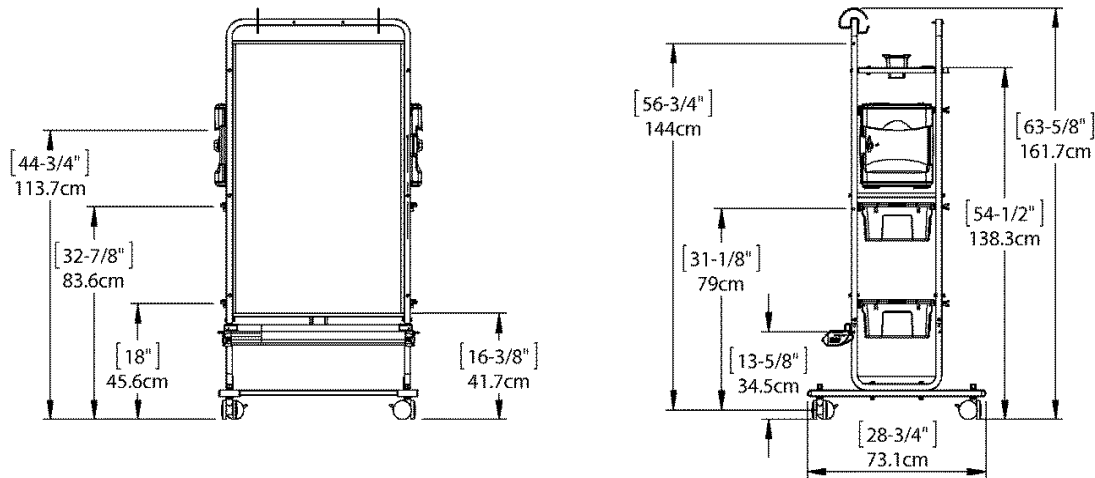


Dual Duty Teaching Easel

Model: FTT200, FTT200-USB, FTT201, FTT201-USB, FTT202



FTT200, FTT200-USB



FTT201, FTT201-USB, FTT202

Warranty:

- Lifetime tub warranty
- 1 year electrical components warranty
- 5 year frame warranty

Dual Duty Teaching Easel

Model: FTT200, FTT200-USB, FTT201, FTT201-USB, FTT202

Physical Specifications:

FTT200, FTT200-USB

33-1/4" W x 30-1/8" D x 65-1/8" H (84.5 cm W x 76.5 cm D x 165.4 cm H)

FTT201, FTT201-USB, FTT202

33-1/4" W x 28-3/4" D x 63-5/8" H (84.5 cm W x 73.1 cm D x 161.7 cm H)

Dual Duty Teaching Easel with 6 Premium Tech Tubes® - holds 32 devices

Model: FTT200

Carton Size & Weights:

| | Part No. | Carton Size (outer dimensions) | Carton Weight | Shipping Size (cubic feet) | Shipping Weights |
|---|----------|---|-------------------|-------------------------------|------------------|
| Frame Box 1 | FTT200-0 | 51 1/2" H x 34" W x 3 1/2" D 130.8cm H x 86.4cm W x 8.9cm D | 40lbs 18.2kg | 3.55 | 40 |
| Frame Box 2 | FTT200-1 | 33 1/2" H x 29 1/2" W x 4 3/4" D 85cm H x 74.9cm W x 12.1cm D | 38.8lbs 17.6kg | 2.72 | 39 |
| Frame Box 3 | FTT200-2 | 30 1/2" H x 8" W x 7 1/2" D 77.5cm H x 20.3cm W x 19cm D | 16lbs 7.3kg | 1.06 | 16 |
| Tech Tub ^{2®} with 6-outlet power strip | FTT600-A | 13-1/2" H x 12-1/2" W x 17-3/4" D 34.3cm H x 31.8cm W x 45.1cm D | 14lbs 6.4kg | 1.73 | 14 |
| Tech Tub ^{2®} with 6-outlet power strip | FTT600-A | 13-1/2" H x 12-1/2" W x 17-3/4" D 34.3cm H x 31.8cm W x 45.1cm D | 14lbs 6.4kg | 1.73 | 14 |
| Tech Tub ^{2®} with 10-outlet power strip | FTT600-B | 13-1/2" H x 12-1/2" W x 17-3/4" D 34.3cm H x 31.8cm W x 45.1cm D | 15lbs 6.8kg | 1.73 | 15 |
| Tech Tub ^{2®} with 10-outlet power strip | FTT600-B | 13-1/2" H x 12-1/2" W x 17-3/4" D 34.3cm H x 31.8cm W x 45.1cm D | 15lbs 6.8kg | 1.73 | 15 |
| Tech Tub ^{2®} with Power Timer | FTT600-D | 13-1/2" H x 12-1/2" W x 17-3/4" D 34.3cm H x 31.8cm W x 45.1cm D | 15lbs 6.8kg | 1.73 | 15 |
| Tech Tub ^{2®} with Headphone Pouches | FTT600-E | 13-1/2" H x 12-1/2" W x 17-3/4" D 34.3cm H x 31.8cm W x 45.1cm D | 15lbs 6.8kg | 1.73 | 15 |

Dual Duty Teaching Easel with 6 Premium Tech Tubs® - holds 32 devices

Model: FTT200-USB

Carton Size & Weights:

| | Part No. | Carton Size (outer dimensions) | Carton Weight | Shipping Size (cubic feet) | Shipping Weights |
|---|----------|---|-------------------|-------------------------------|------------------|
| Frame Box 1 | FTT200-0 | 51 1/2" H x 34" W x 3 1/2" D 130.8cm H x 86.4cm W x 8.9cm D | 40lbs 18.2kg | 3.55 | 40 |
| Frame Box 2 | FTT200-1 | 33 1/2" H x 29 1/2" W x 4 3/4" D 85cm H x 74.9cm W x 12.1cm D | 38.8lbs 17.6kg | 2.72 | 39 |
| Frame Box 3 | FTT200-2 | 30 1/2" H x 8" W x 7 1/2" D 77.5cm H x 20.3cm W x 19cm D | 16lbs 7.3kg | 1.06 | 16 |
| Tech Tub ^{2®} with USB Hub | FTT600-C | 13-1/2" H x 12-1/2" W x 17-3/4" D 34.3cm H x 31.8cm W x 45.1cm D | 15lbs 6.8 kg | 1.73 | 15 |
| Tech Tub ^{2®} with USB Hub | FTT600-C | 13-1/2" H x 12-1/2" W x 17-3/4" D 34.3cm H x 31.8cm W x 45.1cm D | 15lbs 6.8 kg | 1.73 | 15 |
| Tech Tub ^{2®} with USB Hub | FTT600-C | 13-1/2" H x 12-1/2" W x 17-3/4" D 34.3cm H x 31.8cm W x 45.1cm D | 15lbs 6.8 kg | 1.73 | 15 |
| Tech Tub ^{2®} with USB Hub | FTT600-C | 13-1/2" H x 12-1/2" W x 17-3/4" D 34.3cm H x 31.8cm W x 45.1cm D | 15lbs 6.8 kg | 1.73 | 15 |
| Tech Tub ^{2®} with Power Timer | FTT600-C | 13-1/2" H x 12-1/2" W x 17-3/4" D 34.3cm H x 31.8cm W x 45.1cm D | 15lbs 6.8 kg | 1.73 | 15 |
| Tech Tub ^{2®} with Headphone Pouches | FTT600-C | 13-1/2" H x 12-1/2" W x 17-3/4" D 34.3cm H x 31.8cm W x 45.1cm D | 15lbs 6.8 kg | 1.73 | 15 |

Dual Duty Teaching Easel with 2 Premium Tech Tubs® - holds 12 devices

Model: FTT201

Carton Size & Weights:

| | Part No. | Carton Size (outer dimensions) | Carton Weight | Shipping Size (cubic feet) | Shipping Weights |
|--|-----------|--|-------------------|-------------------------------|------------------|
| Frame Box 1 | FTT200-0 | 51 1/2" H x 34" W x 3 1/2" D 130.8cm H x 86.4cm W x 8.9cm D | 40lbs 18.2kg | 3.55 | 40 |
| Frame Box 2 | FTT200-1 | 33 1/2" H x 29 1/2" W x 4 3/4" D 85cm H x 74.9cm W x 12.1cm D | 38.8lbs 17.6kg | 2.72 | 39 |
| Container Box 1 | FTT201-CE | 11 1/2" H x 16" W x 13" D 29.2cm H x 40.6cm W x 33cm D | 8lbs 3.6kg | 1.38 | 8 |
| Tech Tub ^{2®} with 6-outlet power strip | FTT600-A | 13-1/2" H x 12-1/2" W x 17-3/4" D 34.3cm H x 31.8cm W x | 14lbs 6.4kg | 1.73 | 14 |
| Tech Tub ^{2®} with 6-outlet power strip | FTT600-A | 13-1/2" H x 12-1/2" W x 17-3/4" D 34.3cm H x 31.8cm W x | 14lbs 6.4kg | 1.73 | 14 |

Dual Duty Teaching Easel with 2 Premium Tech Tubs® - holds 12 devices

Model: FTT201-USB

Carton Size & Weights:

| | Part No. | Carton Size (outer dimensions) | Carton Weight | Shipping Size (cubic feet) | Shipping Weights |
|-------------------------------------|-----------|--|-------------------|-------------------------------|------------------|
| Frame Box 1 | FTT200-0 | 51 1/2" H x 34" W x 3 1/2" D 130.8cm H x 86.4cm W x 8.9cm D | 40lbs 18.2kg | 3.55 | 40 |
| Frame Box 2 | FTT200-1 | 33 1/2" H x 29 1/2" W x 4 3/4" D 85cm H x 74.9cm W x 12.1cm D | 38.8lbs 17.6kg | 2.72 | 39 |
| Container Box 1 | FTT201-CE | 11 1/2" H x 16" W x 13" D 29.2cm H x 40.6cm W x 33cm D | 8lbs 3.6kg | 1.38 | 8 |
| Tech Tub ^{2®} with USB Hub | FTT600-C | 13-1/2" H x 12-1/2" W x 17-3/4" D 34.3cm H x 31.8cm W x | 15lbs 6.8kg | 1.73 | 15 |
| Tech Tub ^{2®} with USB Hub | FTT600-C | 13-1/2" H x 12-1/2" W x 17-3/4" D 34.3cm H x 31.8cm W x | 15lbs 6.8kg | 1.73 | 15 |

Dual Duty Teaching Easel with 2 Premium Tech Tubs® - holds 6 devices

Model: FTT202

Carton Size & Weights:

| | Part No. | Carton Size (outer dimensions) | Carton Weight | Shipping Size (cubic feet) | Shipping Weights |
|--|-----------|---|------------------|-------------------------------|------------------|
| Frame Box 1 | FTT200-0 | 51 3/4" H x 33 3/4" W x 3 1/4" D 131cm H x 85.5cm W x 8cm D | 40 lbs 18.1kg | 3.28 | 34 |
| Frame Box 2 | FTT200-1 | 32 3/4" H x 29 1/2" W x 4 1/2" D 83cm H x 75cm W x 11.4cm D | 37lbs 16.8kg | 2.45 | 37 |
| Container Box 2 | FTT202-CE | 15" H x 16 1/2" W x 13" D 38.1cm H x 42cm W x 33cm D | 10lbs 4.5kg | 1.86 | 10 |
| Tech Tub ^{2®} with 6-outlet power strip | FTT600-A | 13-1/2" H x 12-1/2" W x 17-3/4" D 34.3cm H x 31.8cm W x 45.1cm D | 14lbs 6.4kg | 1.73 | 14 |

Copernicus Educational Products

USA | PMB #459, 60 Industrial Pkwy | Cheektowaga, NY | 14227

CANADA: R.R. #3, 8194 County Road 109 | Arthur, ON | N0G 1A0

P 1 800 267 8494 | E info@copernicused.com

Copernicus Educational Products is not responsible for printing errors. Copernicus reserves the right to change or modify pricing and products specifications with or without prior notification. Illustrations and descriptions may not be exactly as shown. No part may be reproduced by any means without prior authorization of Copernicus Educational Products Inc. All rights reserved. 2015 ©