

BE2

Bamboo Teaching Easel



Assembly Guide BE2 2019 C

Check out our other products online at
www.copernicused.com

For assistance, please contact us:

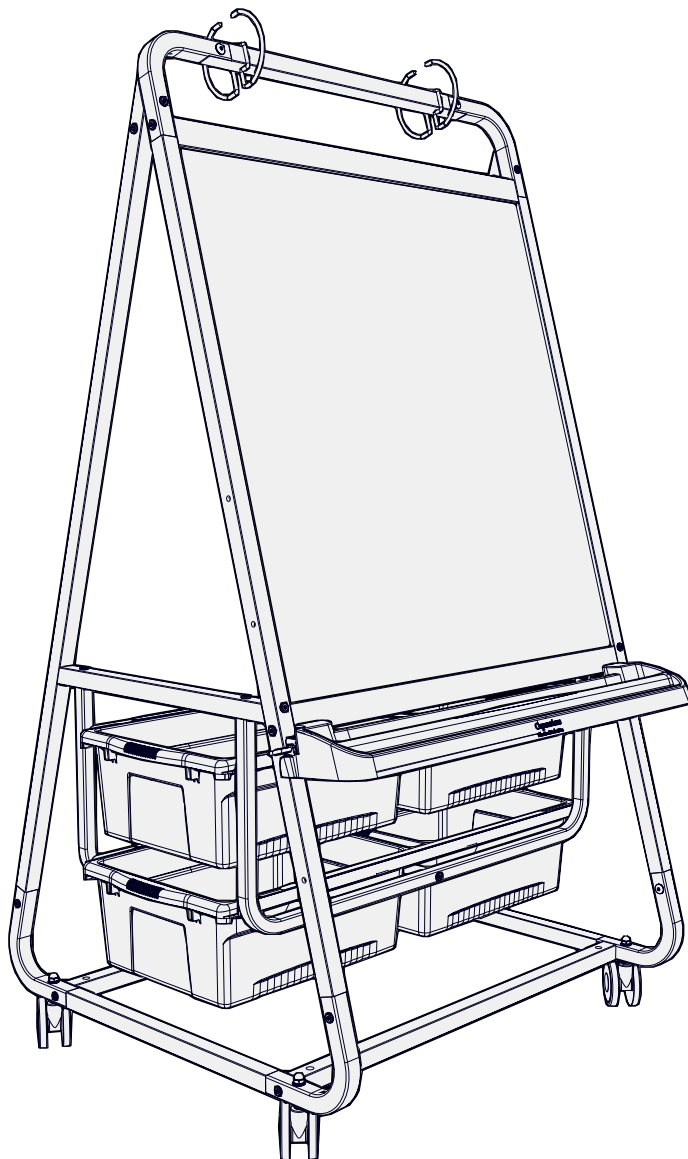
1-800-267-8494

Email info@copernicused.com

Have your packing slip ready for reference

WARNING !

- This product is meant to be assembled by an adult.
- In its unassembled state, small parts present a hazard.
- To be used under direct supervision of an adult.



Please Recycle

Bamboo Teaching Easel



Assembly Guide

BE2 2019 C

Check out our other products online at
www.copernicused.com

For assistance, please contact us:

1-800-267-8494

Email info@copernicused.com

Have your packing slip ready for reference

Dear Educator,

Thank you for purchasing the Bamboo Teaching Easel. We hope it meets all your expectations and you and your students enjoy using it in your school.

If you have any questions, concerns or ideas on how we can improve please let us know by contacting our Customer Solutions Ninjas at 1-800-267-8494 or info@copernicused.com.

Happy teaching,

Kaylyn Belcourt
 President

We do not inherit the earth from our ancestors, we borrow it from our children.

NORTH AMERICAN

PROVERB

Change is the end result of all true learning.

LEO BUSCAGLIA

What you leave behind is not what is engraved in stone monuments, but what is woven into the lives of others.

PERICLES

Education is the most powerful weapon which you can use to change the world.

NELSON MANDELA



Validate Your Warranty

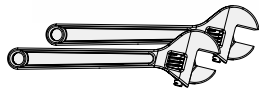
To validate your warranty, submit the ON-LINE form at www.copernicused.com

Enter a draw to win a Copernicus Product for your classroom at the same time!

Bamboo Teaching Easel

Before beginning, you should have:

Additional tools required:



OR

13mm (1x),
17mm (1x)

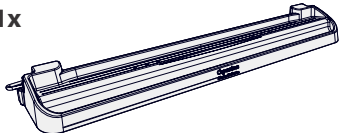


Screwdriver

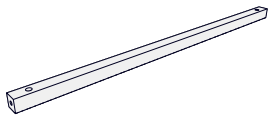


BE2-0

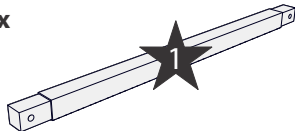
Ultra Safe Premium Book Ledge
1x



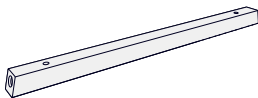
Bottom Bamboo Stretcher - Long
2x



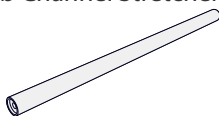
Bottom Bamboo Stretcher - Short
2x



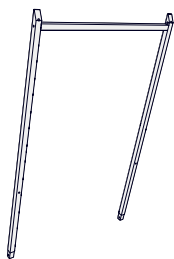
Bamboo Tub Channel Stretcher
2x



Metal Tub Channel Stretcher
1x



Rear Bamboo Frame
1x



Caster With Brake
4x

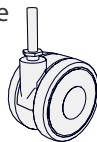
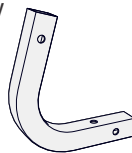


Chart Hook
2x



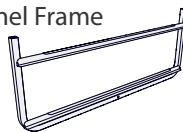
Bottom Elbow
4x



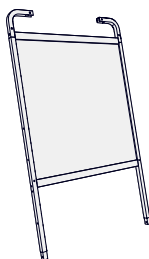
Bamboo Top Stretcher
1x



Tub Channel Frame
2x

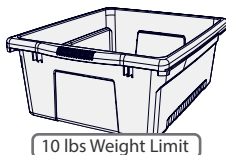


Front Bamboo Frame
1x



BE2-CB

Open Tub
4x
(CC4068-ECO-G)



Hardware (Actual Size)

A M6 x 60mm Screw
(43260)



B M6 x 45mm Screw
(43245)



C M6 x 35mm Screw
8x



D M6 x 25mm Screw
(43225)



E M6 x 19mm Screw
(43219)



F M8 Acorn Nut
4x



G M8 Flat Washer
(43277)



H M8 Lock Washer
(43274)



I M6 Barrel Nut
(43272)



J M6 Cross Dowel
6x



Allen Key 4mm
(Not to Scale)
(43281)



Caster Wrench 13mm
(Not to Scale)
1x



Caster Wrench 17mm
(Not to Scale)
1x



Tips for Assembly

Watch for These Helpful Symbols

This symbol denotes a 2-Person Task. For safety, please ensure that there are the suggested number of people working on steps displaying this symbol.



Watch for this symbol throughout the Assembly Guide. Wherever you see it, pay close attention. The symbol denotes a step needing extra attention to ensure it is done correctly.



The star symbol highlights an advisory note.

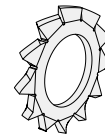
Before You Begin

- Lay out and identify all of the included parts.
- The hardware has been packed according to step.
- Read the assembly guide over once to familiarize yourself with them.



! Please note that in its unassembled state, this product contains parts that can be hazardous to small children. This product should be assembled by an adult.

! Please note, star washers are critical components for electrical safety. Star washers must be included and fasteners fully tightened to prevent the risk of electric shock..



As You Assemble the Unit

- Follow the steps in sequence.
- Before beginning each step, find the part(s) that you need for that step.
- Pay attention to the labels on the parts; they are there to help direct you at certain stages.
- The title of each step states what you will be doing. Review the text and the pictures as you build the unit.

Customer Service - FAQ's



For missing parts and other issues regarding the frame:

Please call Copernicus Customer Service, where we will be happy to help.

1-800-267-8494. Monday - Friday 8:00am - 4:30 pm EST.

OR

Email our Tech Support Service at vanessa@copernicused.com

**Need Tech Support?
Have a Question?**



Email our Tech Support Service

**Check out some of our
other great products!**



www.copernicused.com

My Flat Panel isn't working, who should I call?

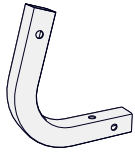
Please call the reseller that you bought the product from first (reseller information can be found on your packing slip).

1

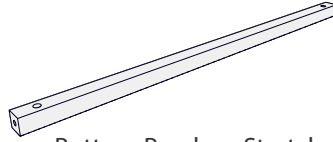
Actual Size:



You will need: (Not to Scale)



Bottom Elbow
4x

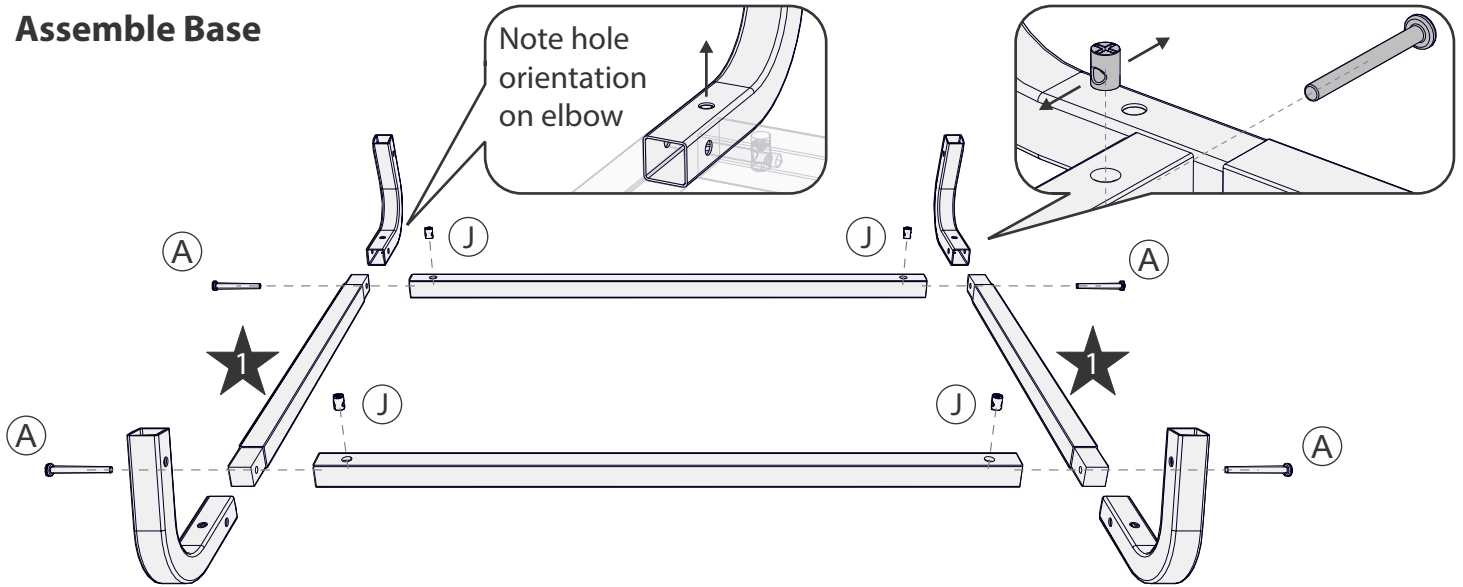


Bottom Bamboo Stretcher - Long
2x



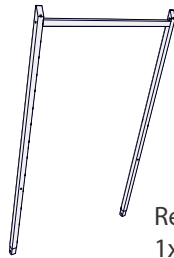
Bottom Bamboo Stretcher - Short
2x

Assemble Base

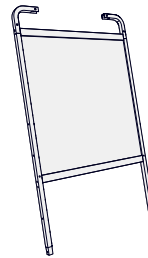


2

You will need: (Not to Scale)

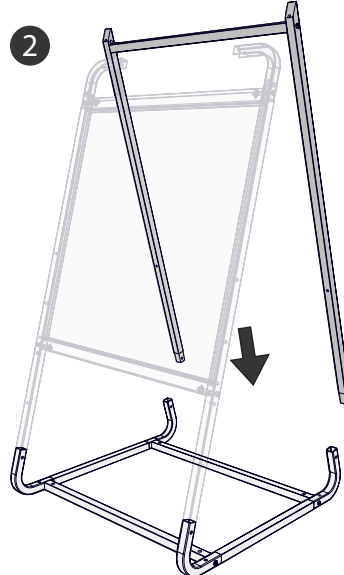
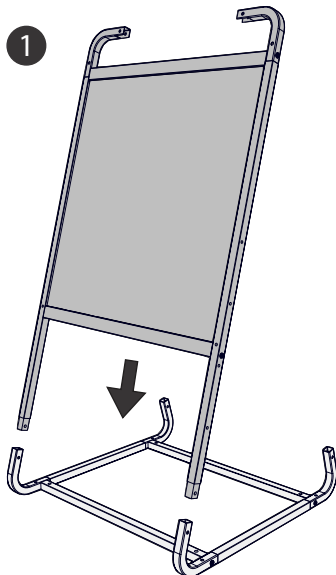


Rear Bamboo Frame
1x



Front Bamboo Frame
1x

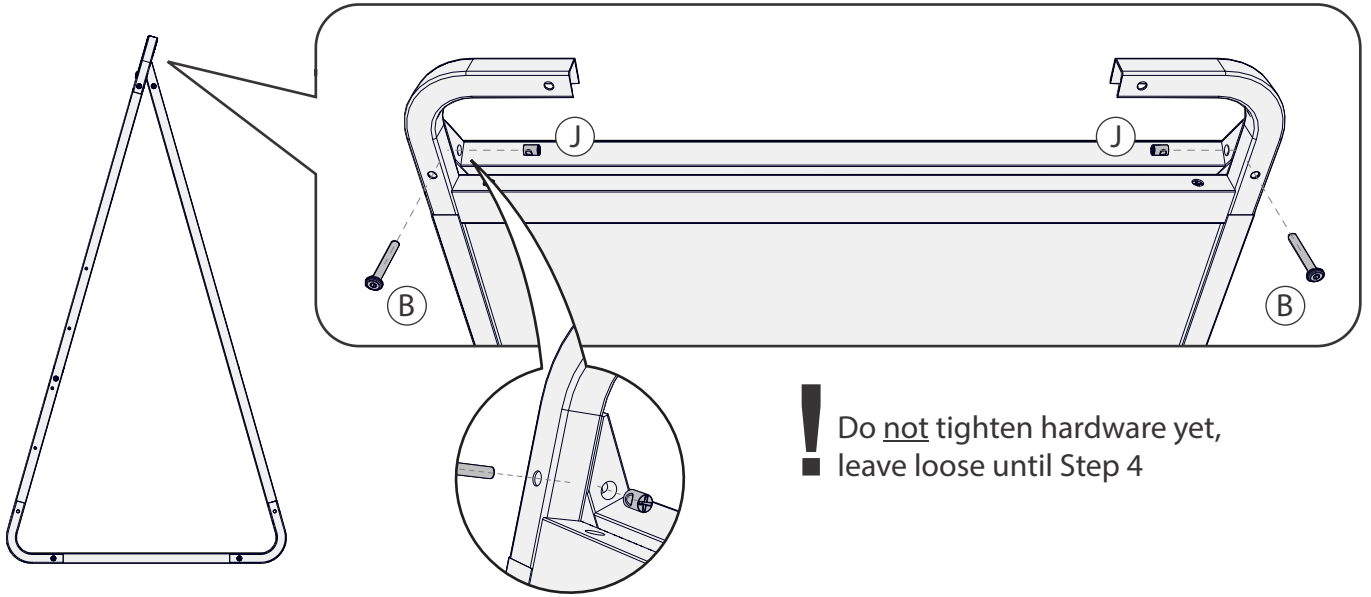
Attach Front & Rear Bamboo Frames



3



Bolt Frames Together - *DO NOT TIGHTEN HARDWARE YET*

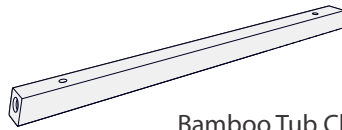


4

Actual Size:



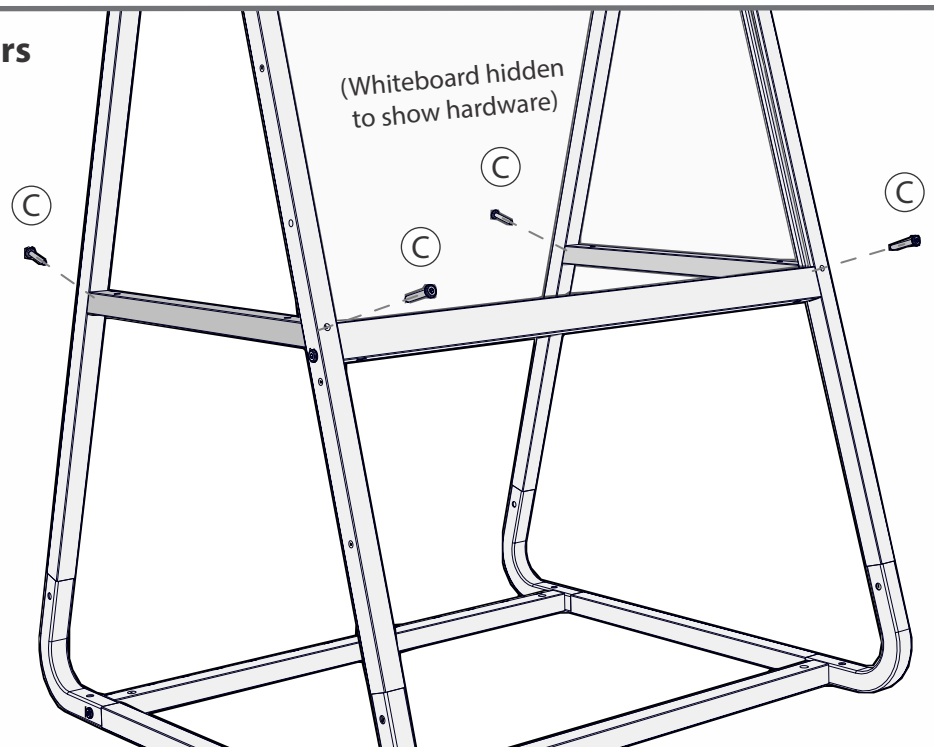
You will need: (Not to Scale)



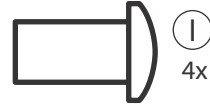
Bamboo Tub Channel Stretcher
2x

Install Tub Channel Stretchers

! Tighten all hardware, including from Step 3

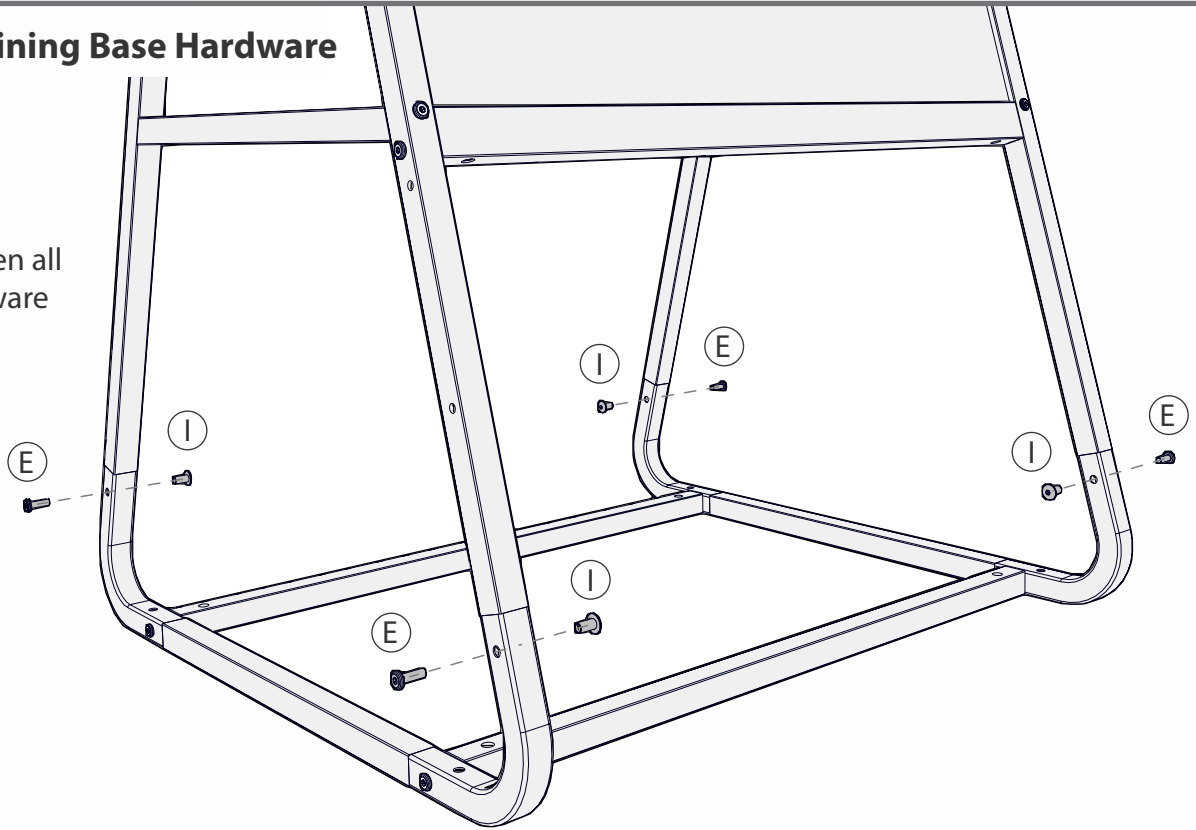


5



Install Remaining Base Hardware

! Tighten all hardware

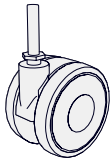


6

Actual Size:



You will need: (Not to Scale)



Caster With Brake
4x

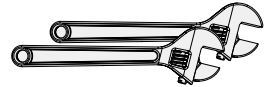


Caster Wrench 13mm
1x

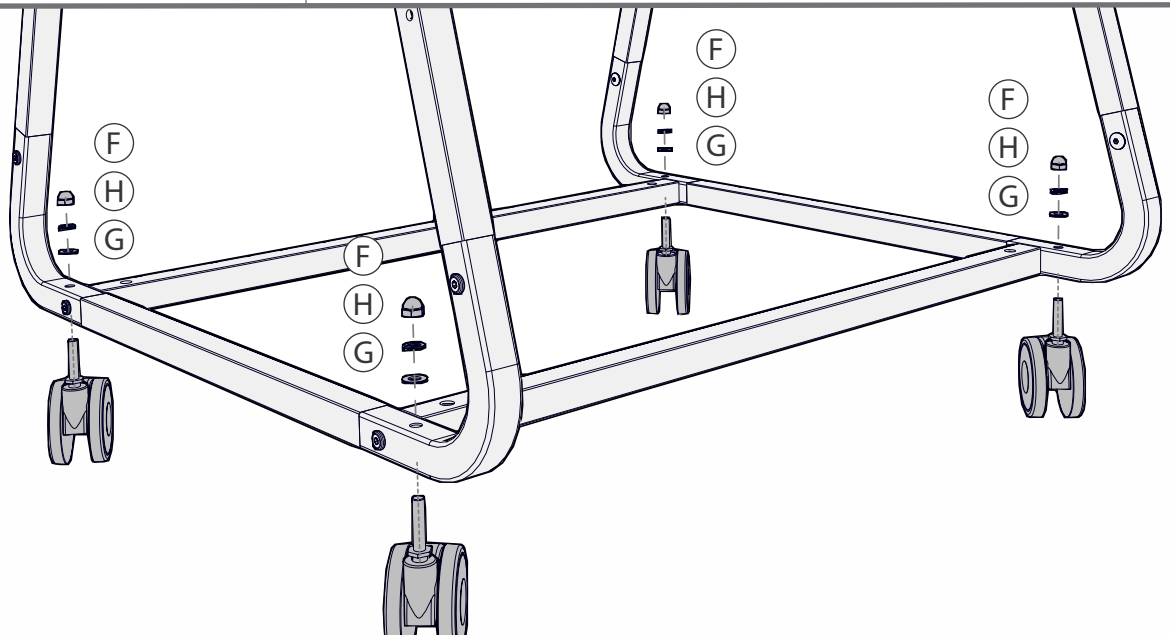


Caster Wrench 17mm
1x

OR



Install Casters

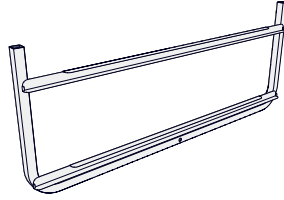


7

Actual Size:

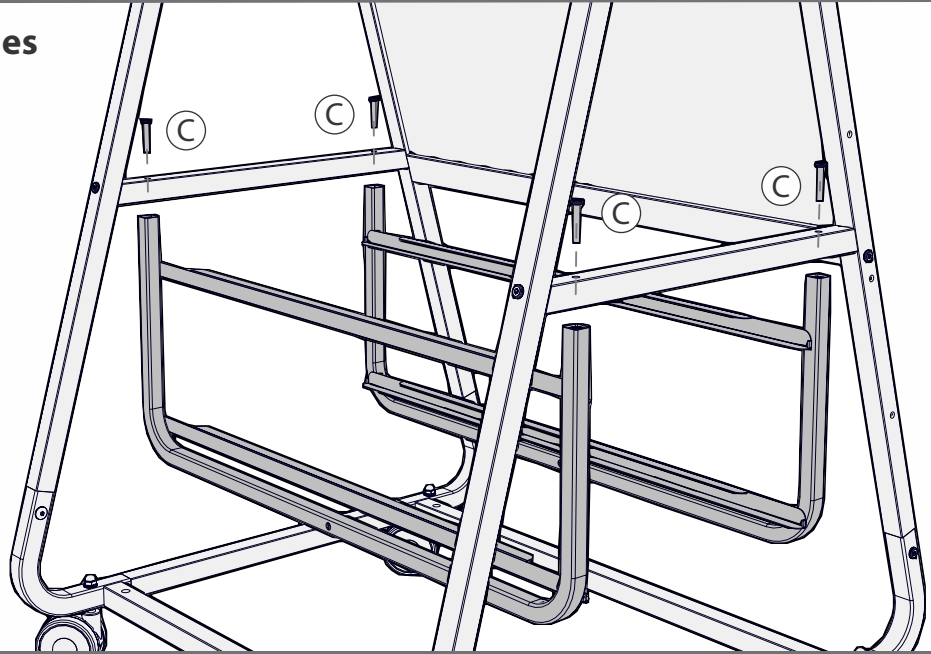


You will need: (Not to Scale)



Tub Channel Frame
2x

Install Tub Channel Frames

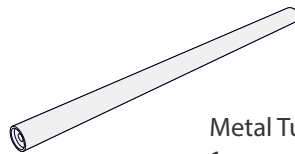


8

Actual Size:

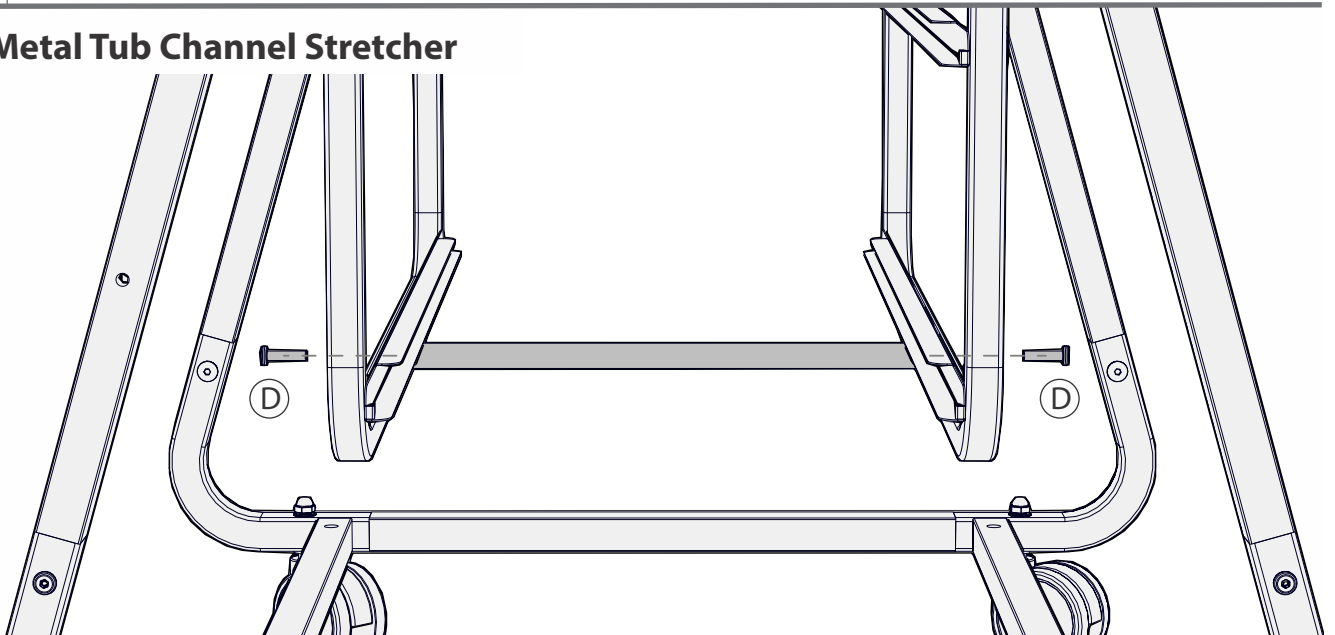


You will need: (Not to Scale)



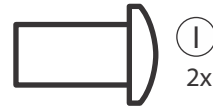
Metal Tub Channel Stretcher
1x

Install Metal Tub Channel Stretcher

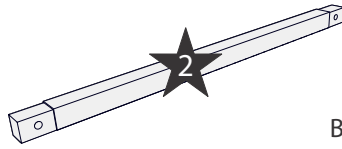


9

Actual Size:

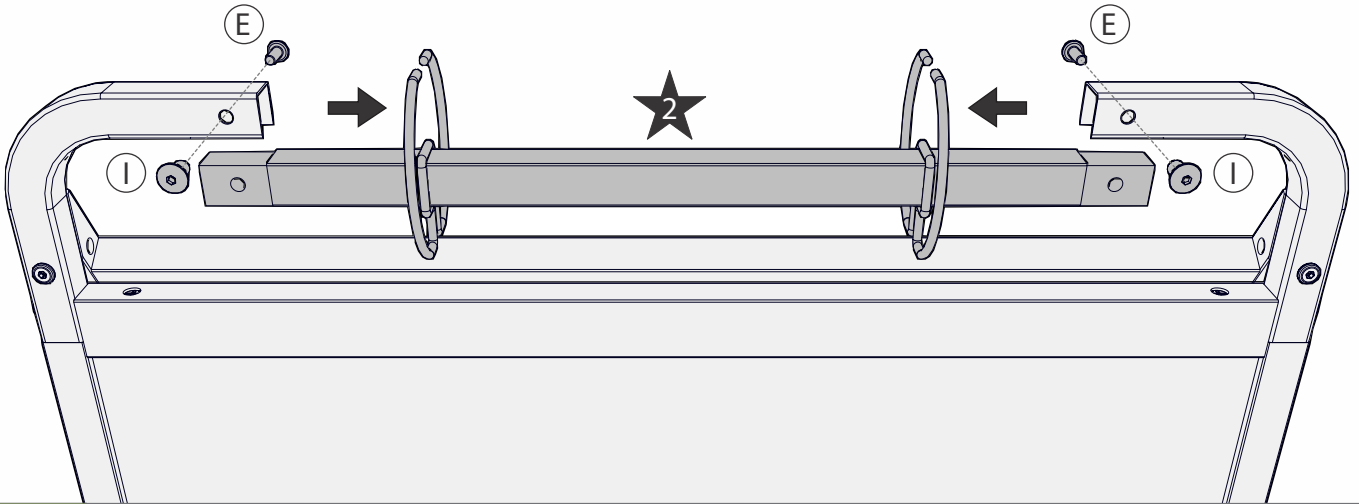


You will need: (Not to Scale)



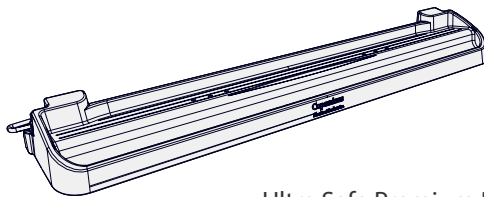
Bamboo Top Stretcher
1x

Install Bamboo Top Stretcher & Cable Hooks



10

You will need: (Not to Scale)

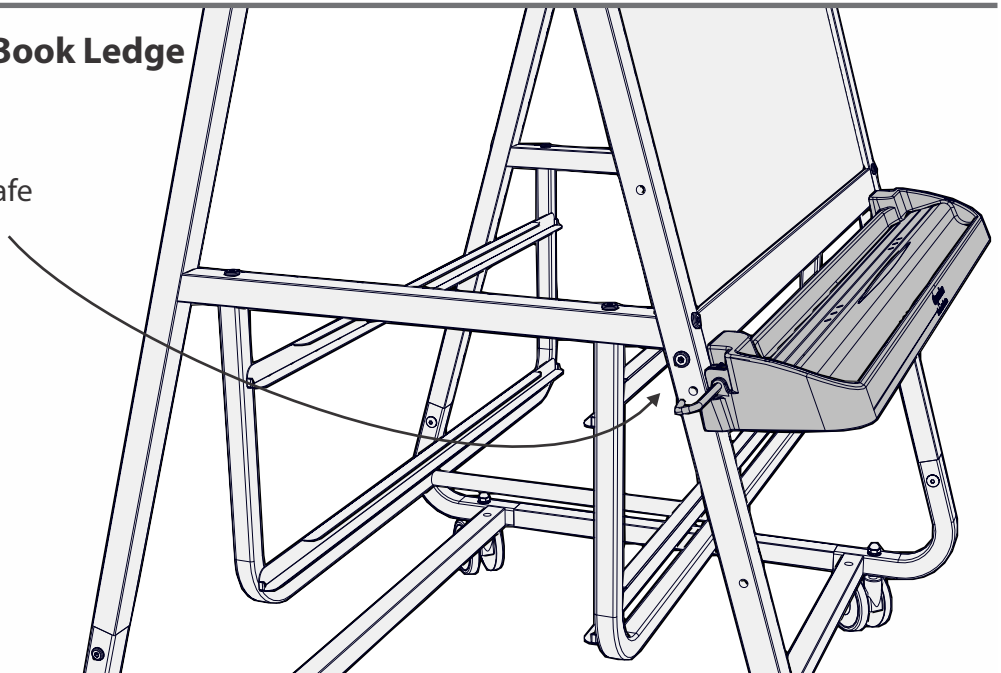


Ultra Safe Premium Book Ledge
1x

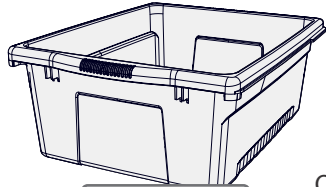
Install Ultra Safe Premium Book Ledge

★ You can attach the Ultra Safe Premium Book Ledge at various height positions

! Please note the spring tension is designed to discourage kids from removing Book Ledge



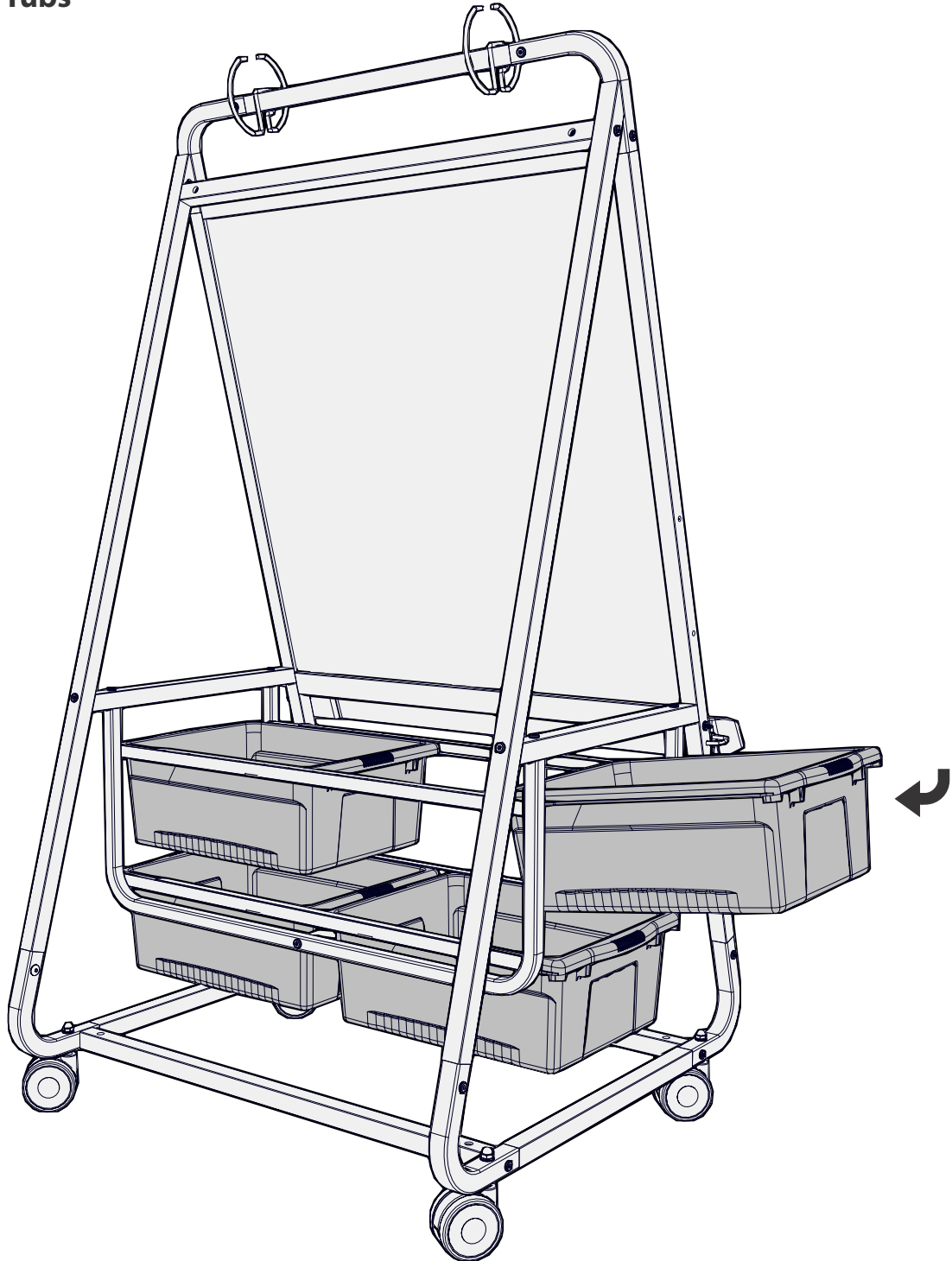
You will need: (Not to Scale)



10 lbs Weight Limit

Open Tub
4x

Install Open Tubs





Challenge

We challenge you and your class to build the most amazing thing you can think of out of the shapes found on the inner carton faces of this Bamboo Easel.

Use your knowledge of geometry and simple machines and let your imagination run wild! Fasten your submission together using any kind of glue, tape or adhesive that you can find.

Be careful cutting (—) and scoring (---) these shapes! Make sure there is an adult helping you!

Take pictures of your creation and email them to bambooproject@copernicused.com

Win **4** Eco Tubs, made with 100% recycled content, with your submission. Limit one prize per class.

Teachers and Administrators:

Please visit www.copernicused.com to see how this contest helps you fulfill your curriculum requirements.

Use these shapes



To build something like...

