

Outdoor/Indoor Learning Center



Assembly Guide

OLC1_2019_A

Check out our other products online at
www.copernicused.com

For assistance, please contact us:

1-800-267-8494

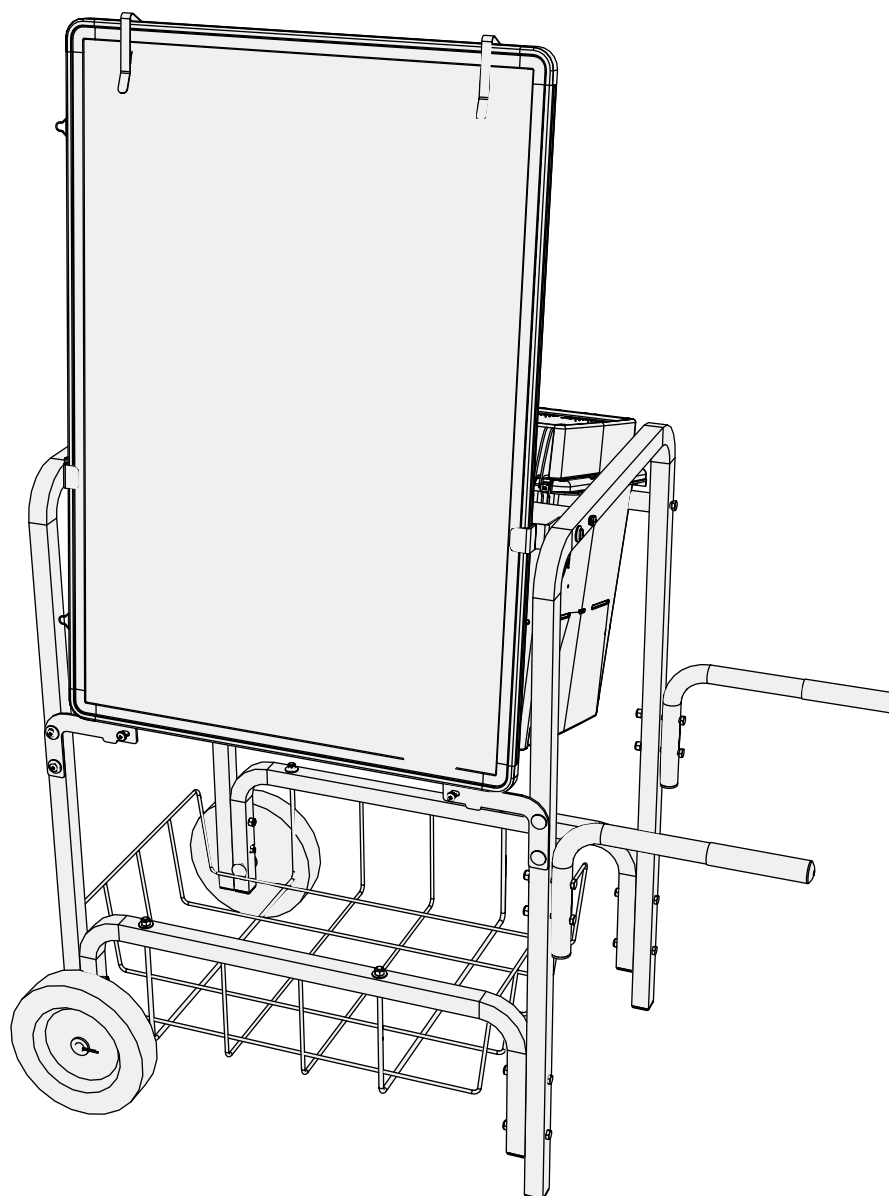
Email info@copernicused.com

Have your packing slip ready for reference

WARNING



- This product is meant to be assembled by an adult.
- In its unassembled state, small parts present a hazard.
- To be used under direct supervision of an adult.



Please Recycle

Outdoor/Indoor Learning Center



Assembly Guide

OLC1_2019_A

Check out our other products online at www.copernicused.com

For assistance, please contact us:

1-800-267-8494

Email info@copernicused.com

Have your packing slip ready for reference

Dear Educator,

Thank you for purchasing the Outdoor/Indoor Learning Center. We hope it meets all your expectations and you and your students enjoy using it in your school.

If you have any questions, concerns or ideas on how we can improve please let us know by contacting our Customer Solutions Ninjas at 1-800-267-8494 or info@copernicused.com.

Happy teaching,

Kaylyn Belcourt
President

We do not inherit the earth from our ancestors, we borrow it from our children.

NORTH AMERICAN
PROVERB

Change is the end result of all true learning.

LEO BUSCAGLIA

What you leave behind is not what is engraved in stone monuments, but what is woven into the lives of others.

PERICLES

Education is the most powerful weapon which you can use to change the world.

NELSON MANDELA



Validate Your Warranty

To validate your warranty, submit the ON-LINE form at www.copernicused.com
Enter a draw to win a Copernicus Product for your classroom at the same time!



Warning! Hazard Risks!

Please read the warnings below for important safety information regarding your product. Failure to read these warnings or to follow the instructions below could result in personal injury or damage to your product that could void your warranty.



**Small
Parts**

In its unassembled state, this product contains parts that can be hazardous to small children. This product should be assembled by an adult.



**Adult
Supervision**

This product is to be used under the supervision of an adult.



**Weather
Warning**

This product is not intended to be left outdoors for prolonged periods of time. It is recommended that this product be brought indoors after use. Exposure to weather such as rain and snow will eventually lead to component damage.



**Bump
Hazard**

This product has components that protrude. Attention should be paid to these protruding components when using this product to avoid injury.



Climb Hazard

Do not climb on, hang from or suspend objects from any components of your product unless otherwise specified.

Before beginning, you should have:

OLC1-0

Handle End Frame 1x

Wheel End Frame 1x

Magnetic Lined Dry Erase Board 1x
(AC455)

Rear Wheel Base Stretcher 1x

Front Wheel Base Stretcher 1x

Tub Stretcher 2x
(33165)

Handle 2x

Lower Board Bracket 2x
(32270)

Upper Board Bracket 2x
(32266)

Paper Clip 2x
(31067)

Tiny Tub 1x
(CC4072-M)

In OLC1-0

Hardware
Actual Size

A 1/4"-20 x 2" Bolt (430207) **16x**

B 1/4" Lock Nut (430101) **24x**

C 1/4" Flat Washer (430192) **20x**

D 1/4"-20 x 1-1/2" Bolt (430206) **6x**

E 1/4"-20 x 1/2" Bolt (4302041) **2x**

F 1/4" Lock Washer (43010) **4x**

Tools
(Not to Scale)

7/16" Hex Wrench (320950) **2x**

OLC1-1

Bottom Rack 1x
(31130)

Original Tech Tub® Base Model 2x
(TEC57)

Tips for Assembly

Watch for These Helpful Symbols

Watch for this symbol throughout the Assembly Guide. Wherever you see it, pay close attention. The symbol denotes a step needing extra attention to ensure it is done correctly.

The star symbol highlights an advisory note.



Before You Begin

- Lay out and identify all of the included parts.
- The hardware has been packed in bulk.
- Read the assembly guide over once to familiarize yourself with them.



! Please note that in its unassembled state, this product contains parts that can be hazardous to small children. This product should be assembled by an adult.

As You Assemble the Unit

- Follow the steps in sequence.
- Before beginning each step, find the part(s) that you need for that step.
- Pay attention to the labels on the parts; they are there to help direct you at certain stages.
- The title of each step states what you will be doing. Review the text and the pictures as you build the unit.

Customer Service - FAQ's



For missing parts and other issues:

Please call Copernicus Customer Service, where we will be happy to help.
1-800-267-8494. Monday - Friday 8:00am - 4:30 pm EST.

OR

Email our Customer Service team at info@copernicused.com

**Need Support?
Have a Question?**



Email our Customer Support

**Check out some of our
other great products!**



www.copernicused.com

1

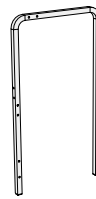
Actual Size:

(A) 1/4" x 2" Bolt
4x

(B) 1/4" Lock Nut
4x



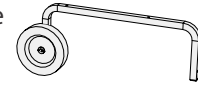
You will need: (Not to Scale)



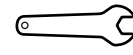
Handle
End Frame
1x



Rear Wheel
Base Stretcher
1x

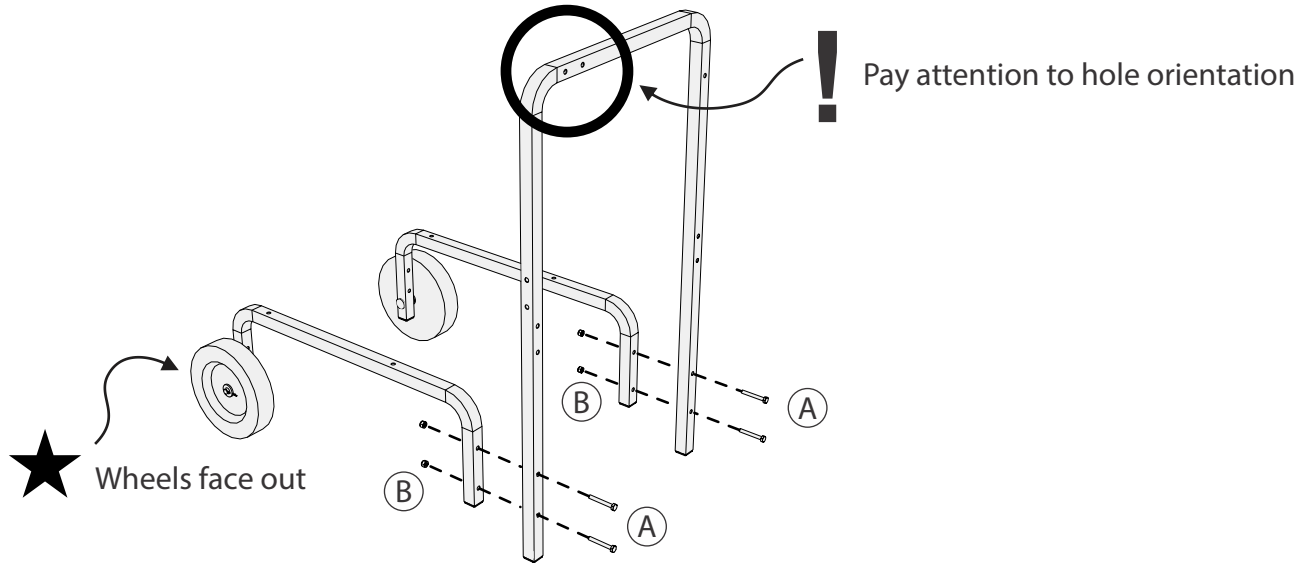


Front Wheel
Base Stretcher
1x



7/16" Hex Wrench
2x

Assemble Wheels to End Frame



2

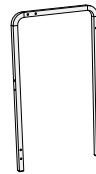
Actual Size:

(A) 1/4" x 2" Bolt
4x

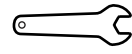
(B) 1/4" Lock Nut
4x



You will need: (Not to Scale)

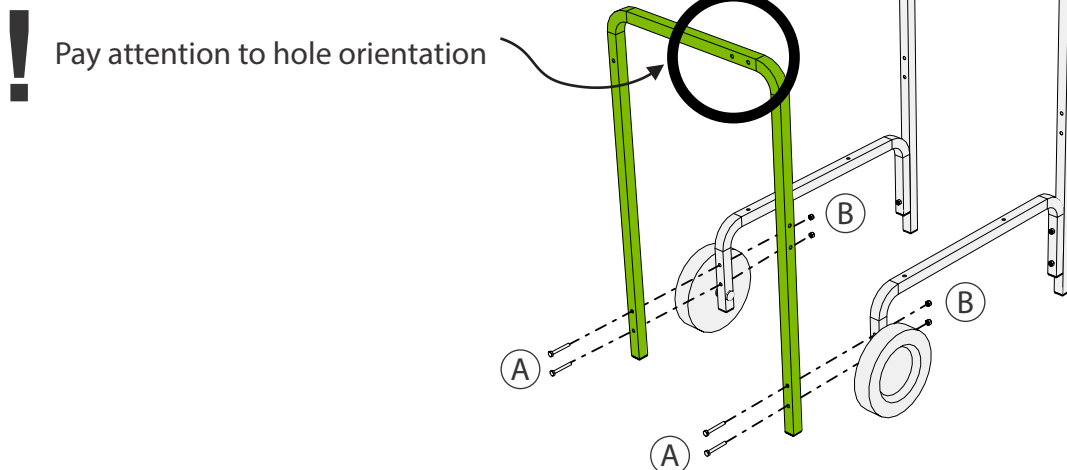


Wheel
End Frame
1x



7/16" Hex Wrench
2x

Assemble End Frame



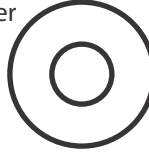
3

Actual Size:

(B) 1/4" Lock Nut
4x



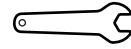
(C) 1/4" Flat Washer
4x



You will need: (Not to Scale)

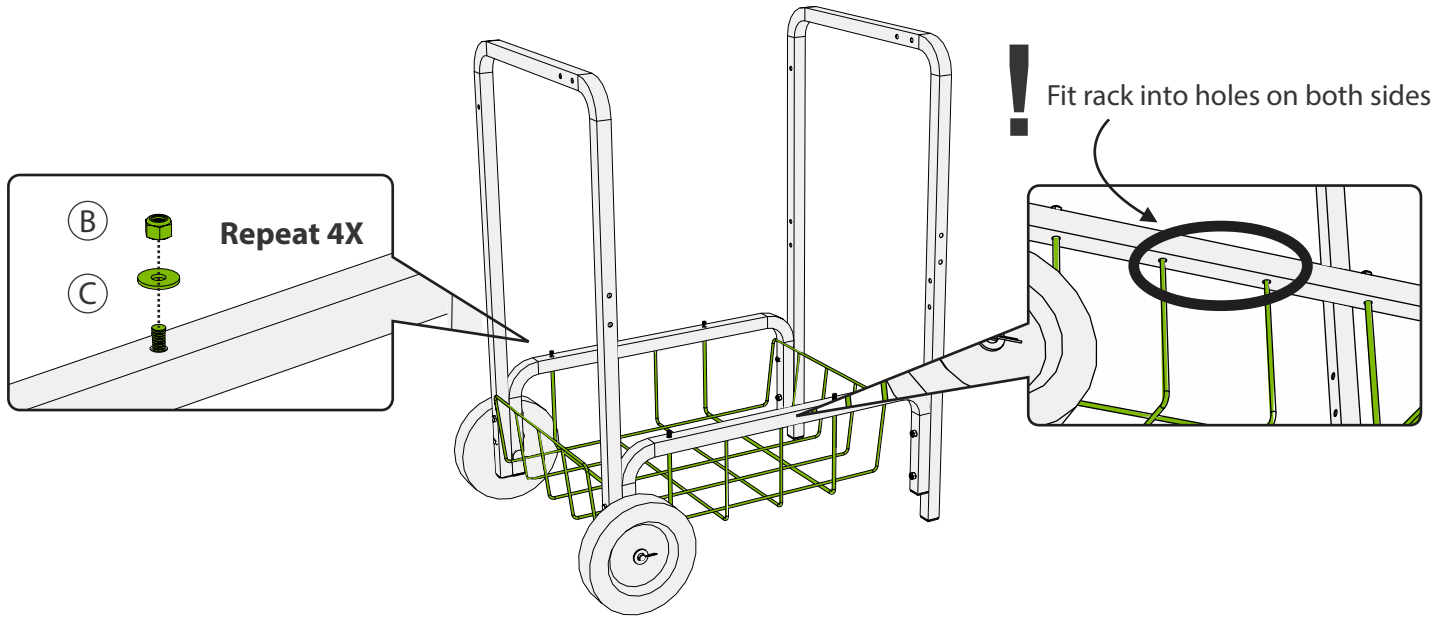


Bottom Rack
1x



7/16" Hex Wrench
2x

Assemble Bottom Rack



4

Actual Size:

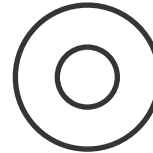
(A) 1/4" x 2" Bolt
4x



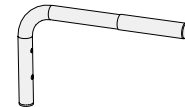
(B) 1/4" Lock Nut
4x



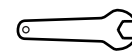
(C) 1/4" Flat Washer
4x



You will need: (Not to Scale)

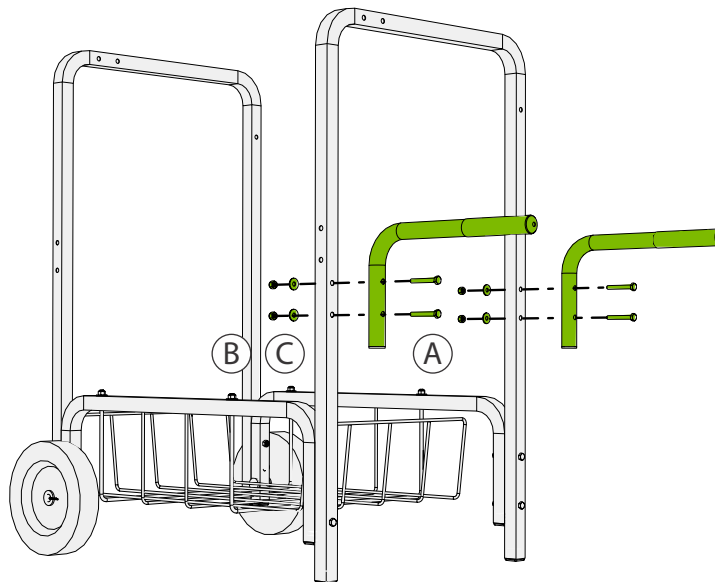


Handle
2x



7/16" Hex Wrench
2x

Assemble Handles



5

Actual Size:

(B) 1/4" Lock Nut
4x



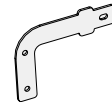
(C) 1/4" Flat Washer
8x



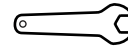
(D) 1/4" x 1-1/2" Bolt
4x



You will need: (Not to Scale)



Lower Board Bracket
2x



7/16" Hex Wrench
2x

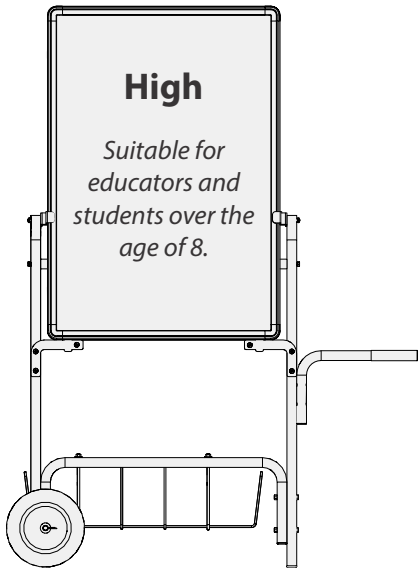
Assemble Lower Board Brackets



Before proceeding, choose the height position that you would like the dry erase board in.

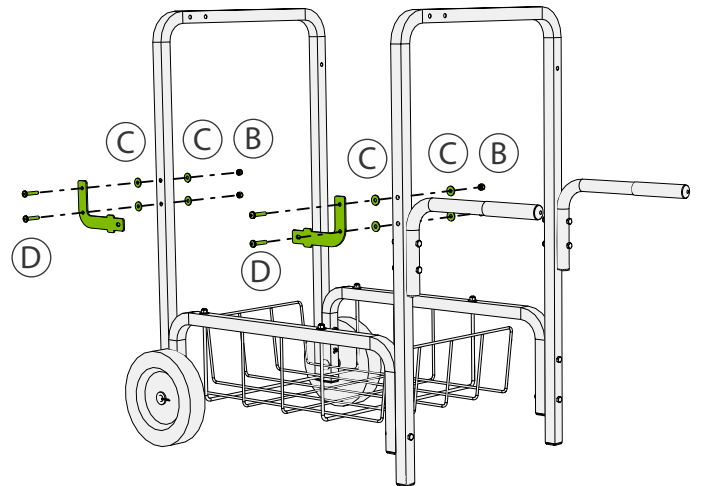
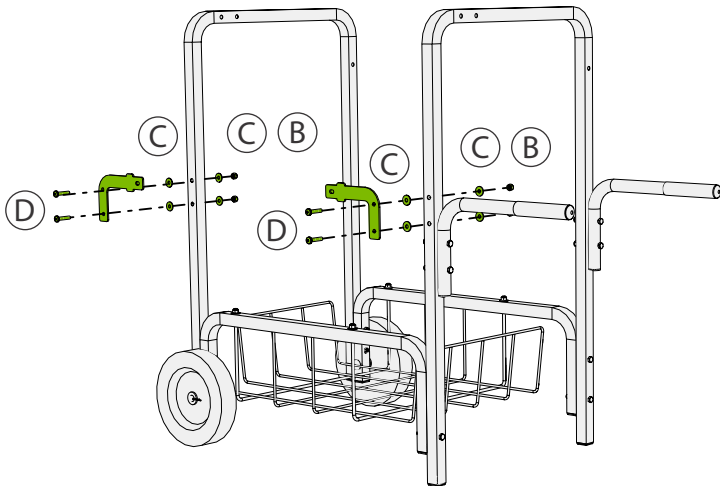
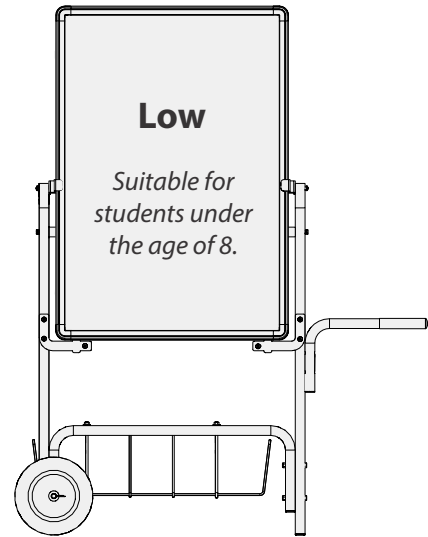
High

*Suitable for
educators and
students over the
age of 8.*



Low

*Suitable for
students under
the age of 8.*



6

Actual Size:


(A) 1/4" x 2" Bolt
4x

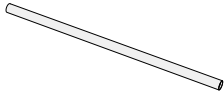


(F) 1/4" Lock Washer
4x

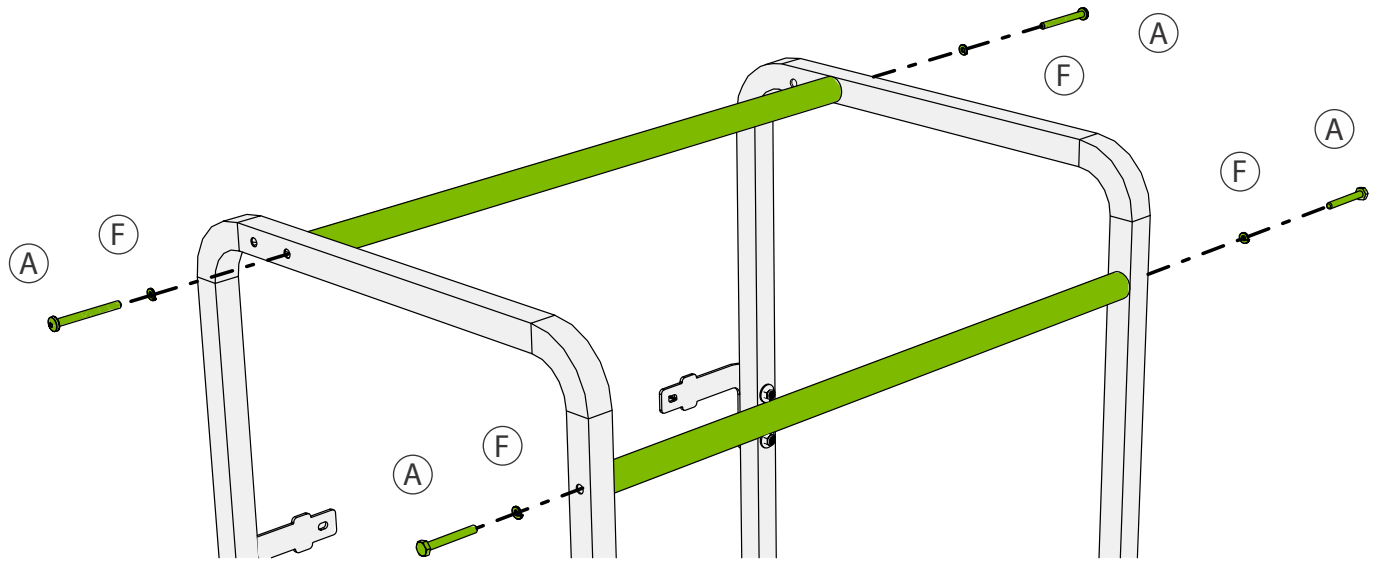


You will need: (Not to Scale)

 7/16" Hex Wrench
2x

 Tub Stretcher
2x

Assemble Tub Stretchers



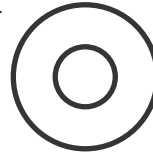
7

Actual Size:

(B) 1/4" Lock Nut
1x



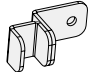
(C) 1/4" Flat Washer
2x

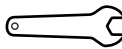


(D) 1/4" x 1-1/2" Bolt
1x

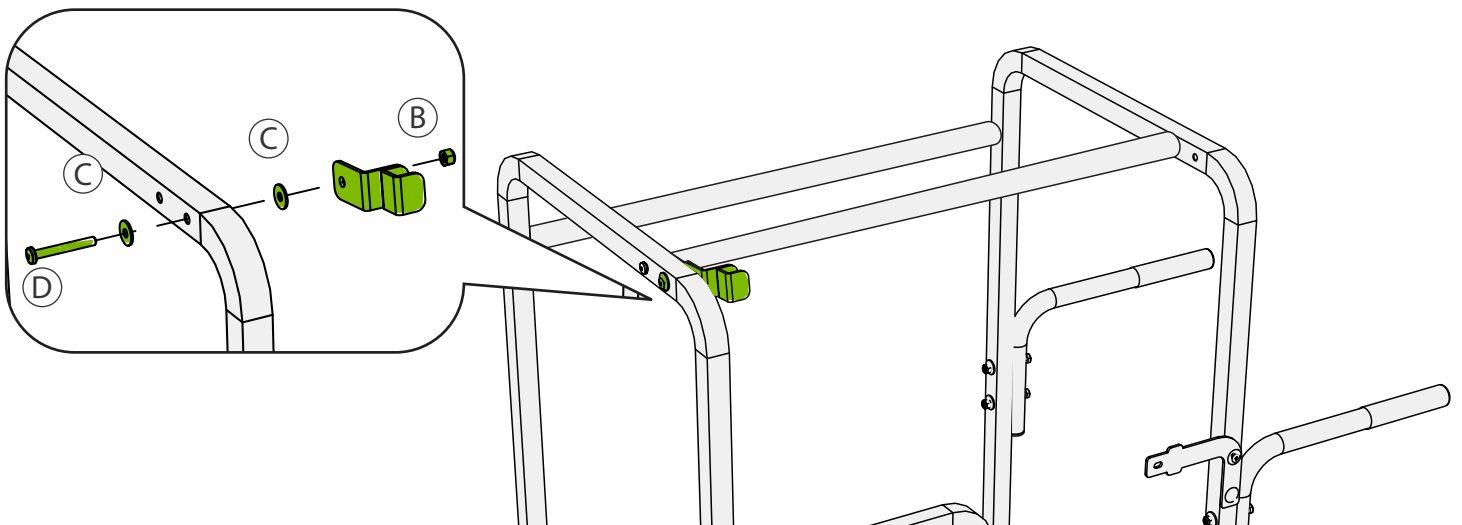


You will need: (Not to Scale)

 Upper Board Bracket
1x

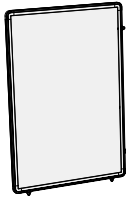
 7/16" Hex Wrench
2x

Assemble Upper Board Bracket



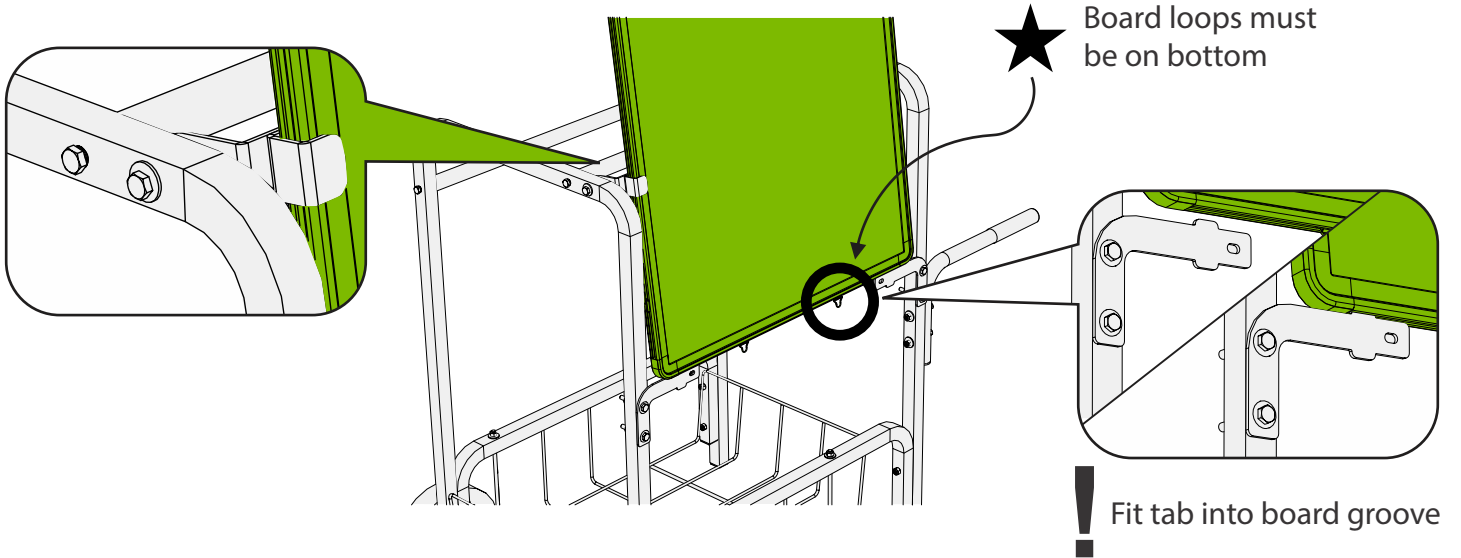
8

You will need: (Not to Scale)



Magnetic Lined Dry Erase Board
1x

Install Dry Erase Board



9

Actual Size:

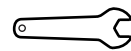
(B) 1/4" Lock Nut
2x



(E) 1/4"-20 x 1/2" Screw
2x



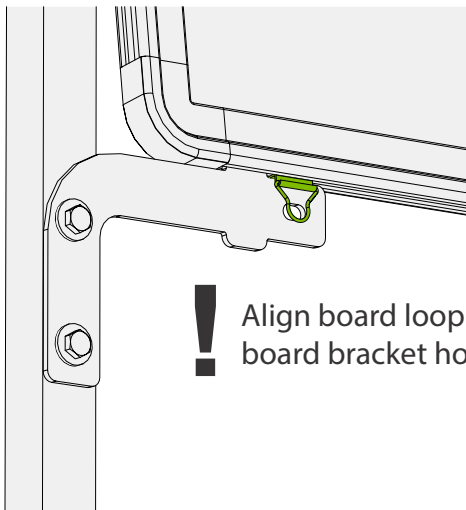
You will need: (Not to Scale)



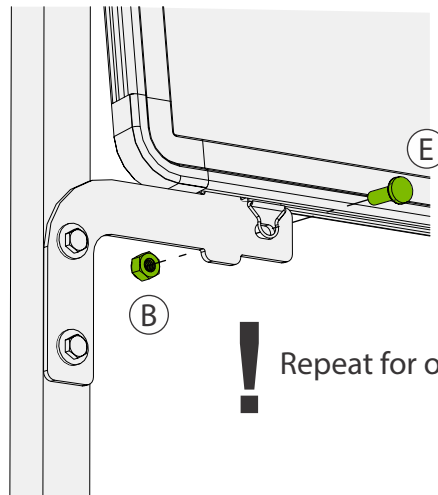
7/16" Hex Wrench
2x

Fasten Dry Erase Board

1

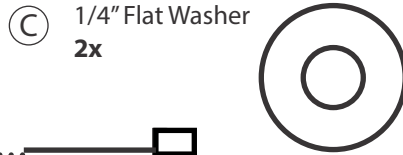
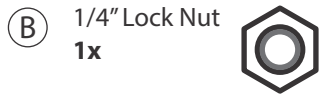


2

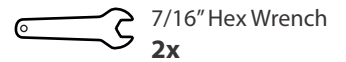
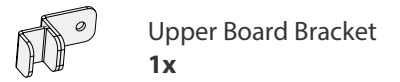


10

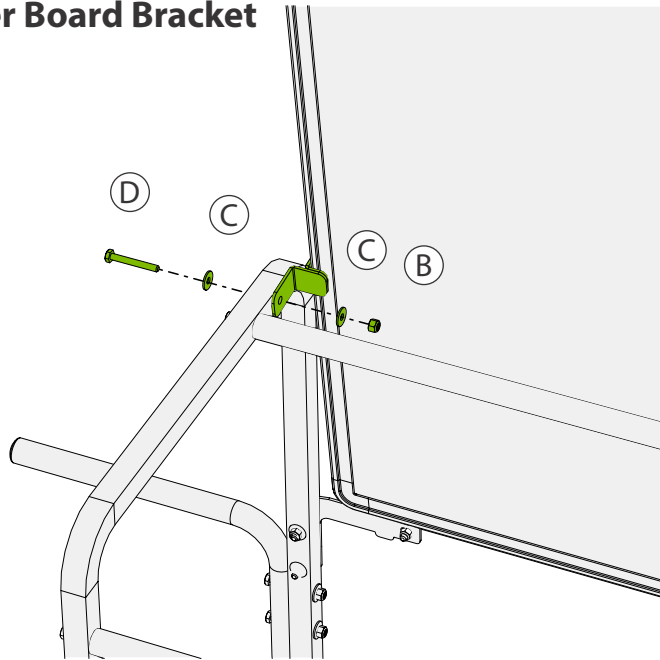
Actual Size:



You will need: (Not to Scale)

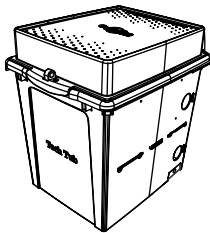


Install Second Upper Board Bracket



11

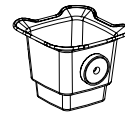
You will need: (Not to Scale)



Original Tech Tub® Base Model
2x

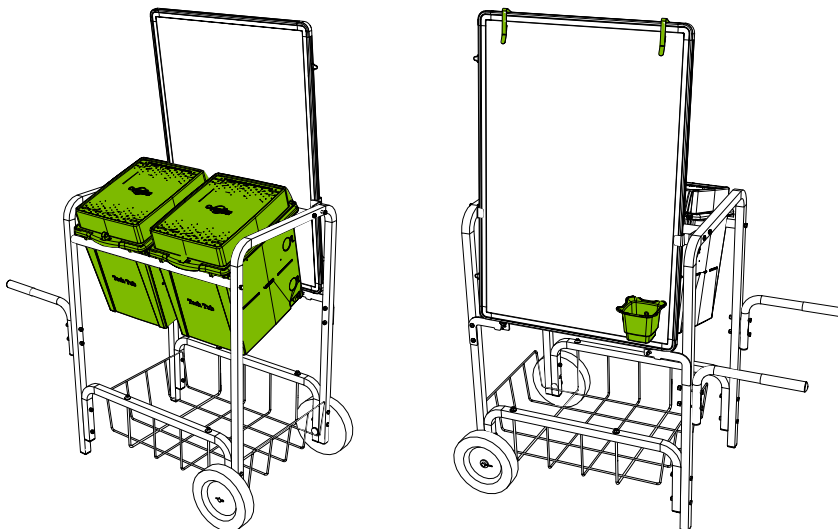


Paper Clip
2x



Tiny Tub
1x

Add Tech Tub®, Paper Clips, and Tiny Tub



Smaller items falling out of the bottom rack?

Tip: Use the cardboard from the boxes to create floor and side panels!

