

TEC500C

Tech Tub™ Premium - 5 Chromebook



Assembly Guide TEC500C_2014_B

Check out our other products online at
www.copernicused.com

For assistance, please contact us:

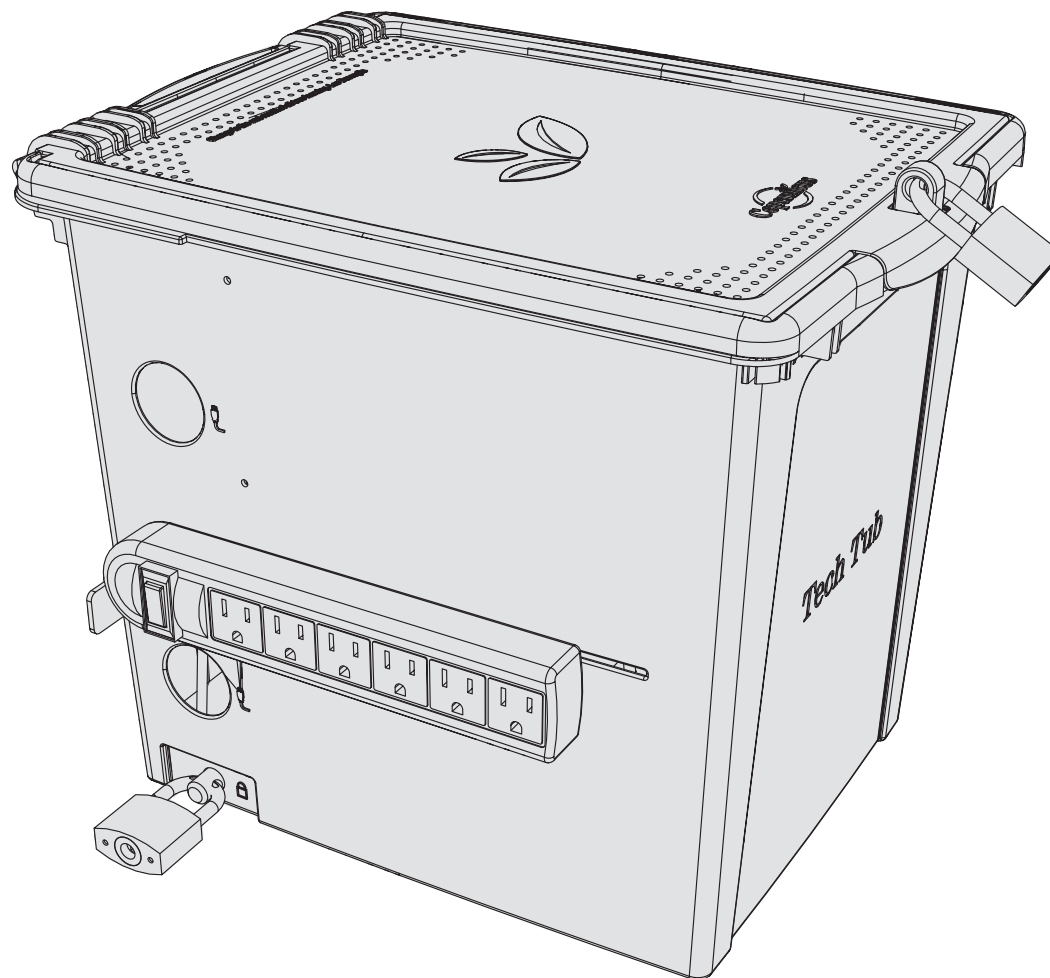
1-800-267-8494

Email info@copernicused.com

Have your packing slip ready for reference

WARNING !

- This product is meant to be assembled by an adult.
- In its unassembled state, small parts present a hazard.
- To be used under direct supervision of an adult.



*Don't throw
these instructions
away!
Positioning template
printed inside!*

**Need Support?
Have a Question?**



Email our Customer Support



Please Recycle

TEC500C

Tech Tub™ Premium - 5 Chromebook



Assembly Guide TEC500C_2014_B

Check out our other products online at
www.copernicused.com

For assistance, please contact us:

1-800-267-8494

Email info@copernicused.com

Have your packing slip ready for reference

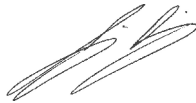
Dear Educator,

Thank you for purchasing one of our products. I hope the assembly of your Tech Tub™ went well.

If you have any questions, or concerns, or ideas for how we can improve, please call us at 1-800-267-8494, where someone will be happy to help.

Enjoy using your new product and happy teaching.

Jim Phillips
President



We do not inherit the earth from our ancestors, we borrow it from our children.

NORTH AMERICAN
PROVERB

Change is the end result of all true learning.

LEO BUSCAGLIA

What you leave behind is not what is engraved in stone monuments, but what is woven into the lives of others.

PERICLES

Education is the most powerful weapon which you can use to change the world.

NELSON MANDELA



Validate Your Warranty

To validate your warranty, submit the ON-LINE form at www.copernicused.com
Enter a drawing to win a Copernicus Product for your classroom at the same time!





Warning! Hazard Risks!

Please read the warnings below for important safety information regarding your product. Failure to read these warnings or to follow the instructions below could result in personal injury or damage to your product that could void your warranty.



Small Parts

In its unassembled state, this product contains parts that can be hazardous to small children. This product should be assembled by an adult.



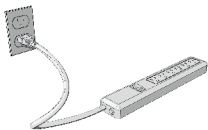
Adult Supervision

This product is to be used under the supervision of an adult.



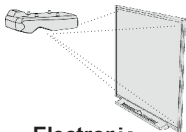
Indoor Use Only

This product is intended for indoor use only. To reduce the risk of fire or electric shock, do not expose this product to rain or moisture. The internal components are not sealed from the environment.



Power Strip Specifications

Read your power strip's electrical specifications. Only plug in devices that are approved for use with this power strip. Connect the supplied power strip directly to a wall outlet. **The socket-outlet shall be installed near the equipment and shall be easily accessible.** Do not connect to another power strip or use an extension cord. Unplug when not in use.



Electronic Equipment

Read the electrical specifications of any electronic equipment you are using with your Copernicus products. Failure to read these specifications and follow their instructions could result in damage to your equipment or personal injury.



Cable Trip Hazard

Ensure that any cables extending across the floor to your product are properly bundled and marked to avoid tripping or falling which may lead to personal injury.



Electrical Shock

Do not install or use the electrical components of this unit during a lightning storm.



Climb Hazard

Do not climb on, hang from or suspend objects from any components of your product unless otherwise specified.

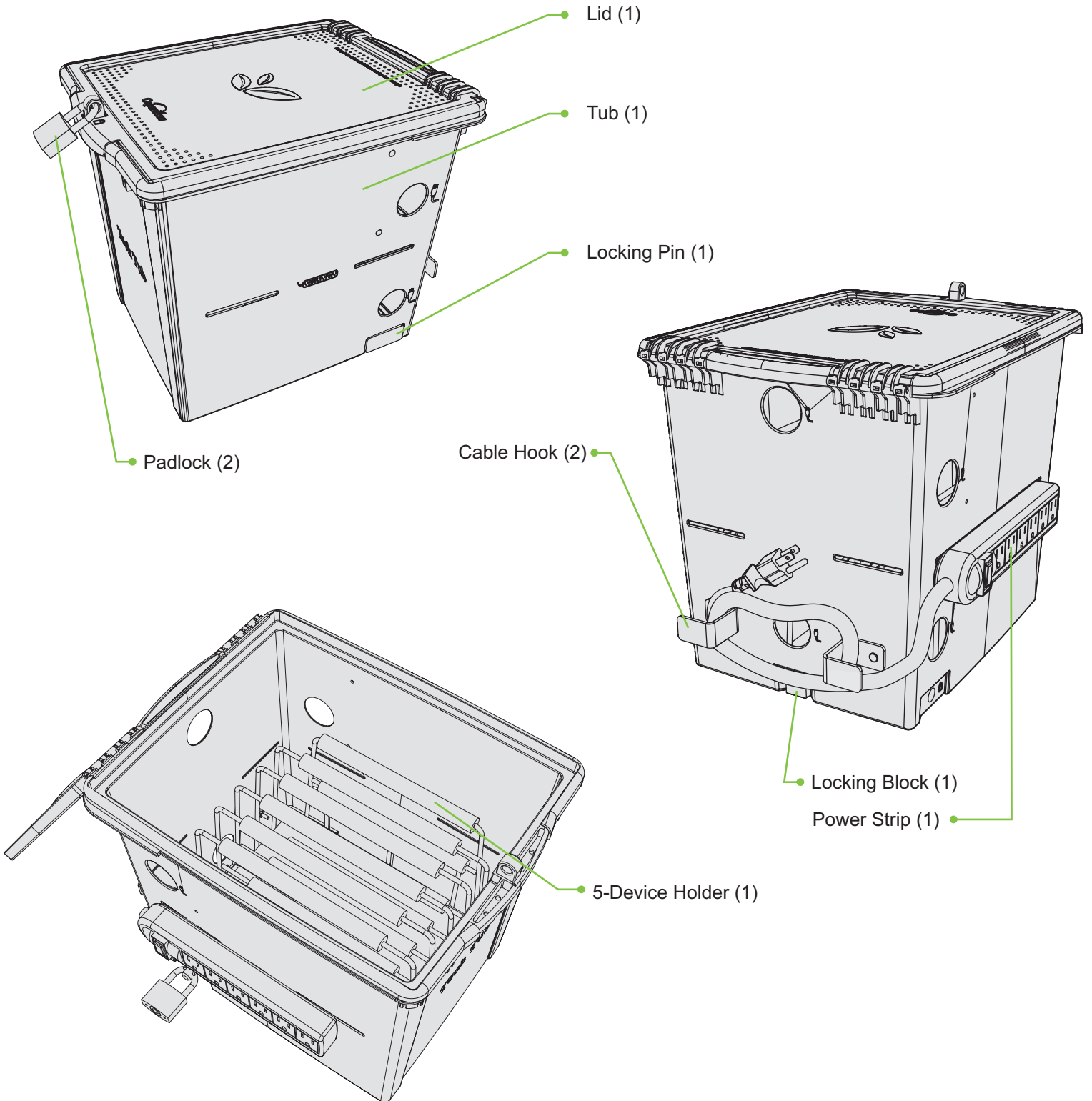


Tech Tub™ Premium - 5 Chromebook



WARNING

Please note that in its unassembled state, this product contains parts that can be hazardous to small children. This product should be assembled by an adult.



Tech Tub™ Premium - Parts

Before beginning, you should have:

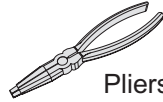
Additional tools required:



OR

5mm,
7mm,
11mm

+



Pliers

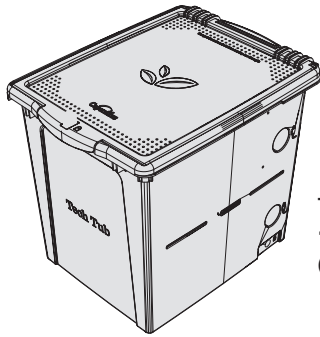
+

Screwdriver

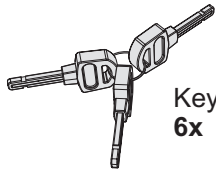


Phillips #1

Contents - TEC500C



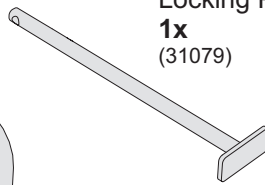
Tech Tub™
1x
(TEC57)



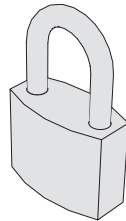
Key
6x



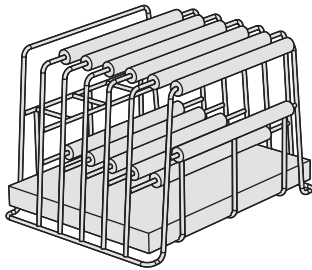
Allen Key 4mm
1x



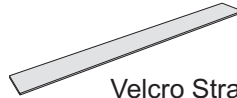
Locking Pin
1x
(31079)



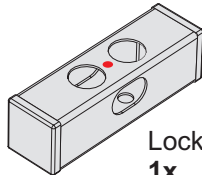
Padlock
2x



5-Device
Holder
1x
(TEC-AC5C)

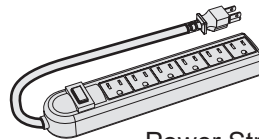
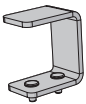


Velcro Straps
5x



Locking Block
1x
(31078)

Cable Hook
2x



Power Strip
1x
(25515)

In box

Hardware
Actual Size

(A) M3 x 10mm
2x



(B) M3 Lock
Washer
2x



(C) Flat Washer
2x



(D) M3 Nut
2x



(E) M4 Lock Nut
4x



(F) M6 x 70mm
2x



(G) M6 Lock Nut
2x



(H) M6 Washer
6x



Tips for Assembly

Watch for These Helpful Symbols

This symbol denotes a 2- or 3- Person Task. For safety, please ensure that there are the suggested number of people working on steps displaying this symbol.



Watch for this symbol throughout the Assembly Guide. Wherever you see it, pay close attention. The symbol denotes a step needing extra attention to ensure it is done correctly.



The star symbol highlights an advisory note.



Before You Begin

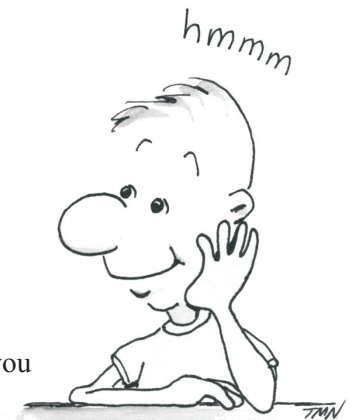
- Lay out and identify all of the included parts.
- The hardware has been packed according to step.
- Read the assembly guide over once to familiarize yourself with them.



! Please note that in its unassembled state, this product contains parts that can be hazardous to small children. This product should be assembled by an adult.

As You Assemble the Unit

- Follow the steps in sequence.
- Before beginning each step, find the part(s) that you need for that step.
- Pay attention to the labels on the parts; they are there to help direct you at certain stages.
- The title of each step states what you will be doing. Review the text and the pictures as you build the unit.



Customer Service - FAQ's



For missing parts and other issues regarding your Tech Tub:

Please call Copernicus Customer Service, where we will be happy to help.
1-800-267-8494. Monday - Friday 8:30am - 4:30 pm EST.

OR

Email our Tech Support Service at vanessa@copernicused.com

**Need Tech Support?
Have a Question?**

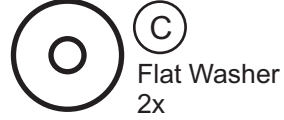
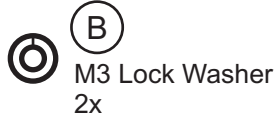
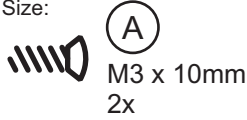


Email our Tech Support Service

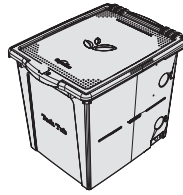


1

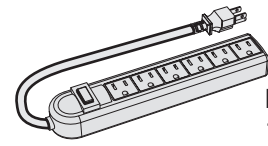
Actual Size:



You will need: (Not to Scale)



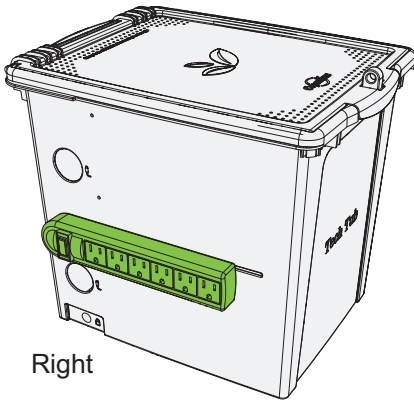
Tech Tub™
1x



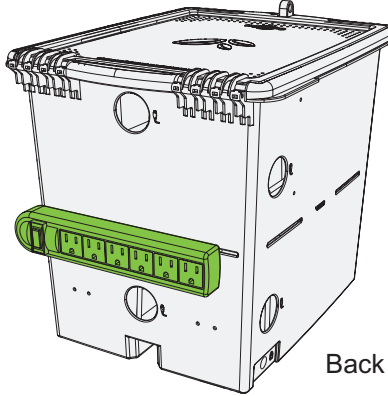
Power Strip
1x

Install Hardware on Power Strip and Mount to Tech Tub™

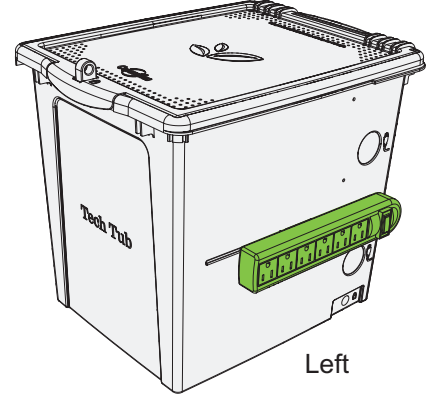
Choose the side you would like to mount the power strip on



Right



Back

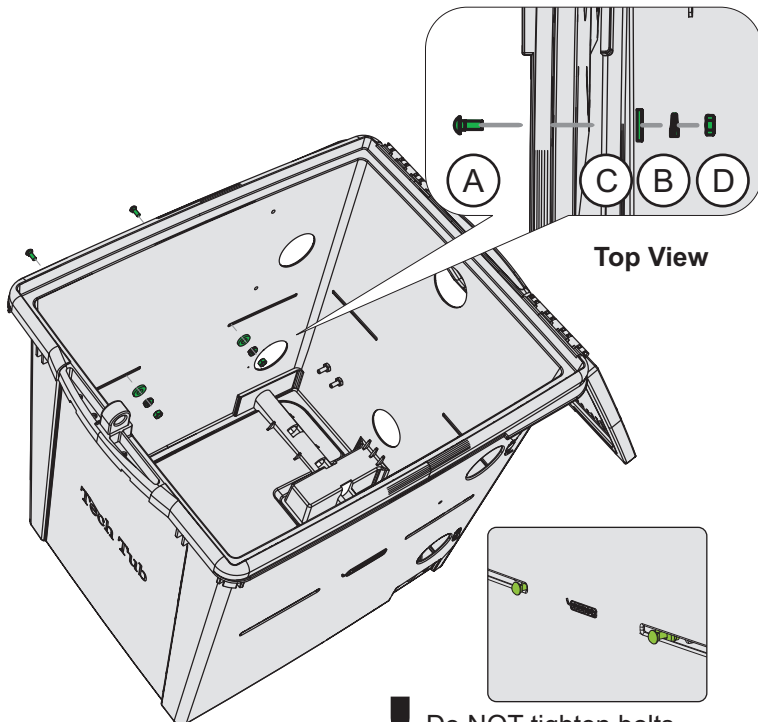


Left

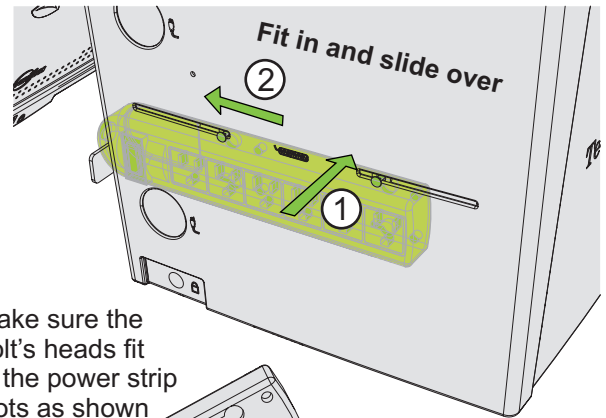
! You **MUST** assemble the power strip on back face if you are using your Tech Tub™ with TEC510C & TEC520C carts.

1 Place the hardware in the slots first

2 Slide the power strip over to fit the screw then tighten screws fully.



Top View

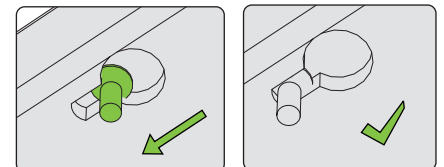




Fit in and slide over

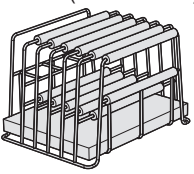
! Make sure the bolt's heads fit in the power strip slots as shown

! Tighten bolts once in place

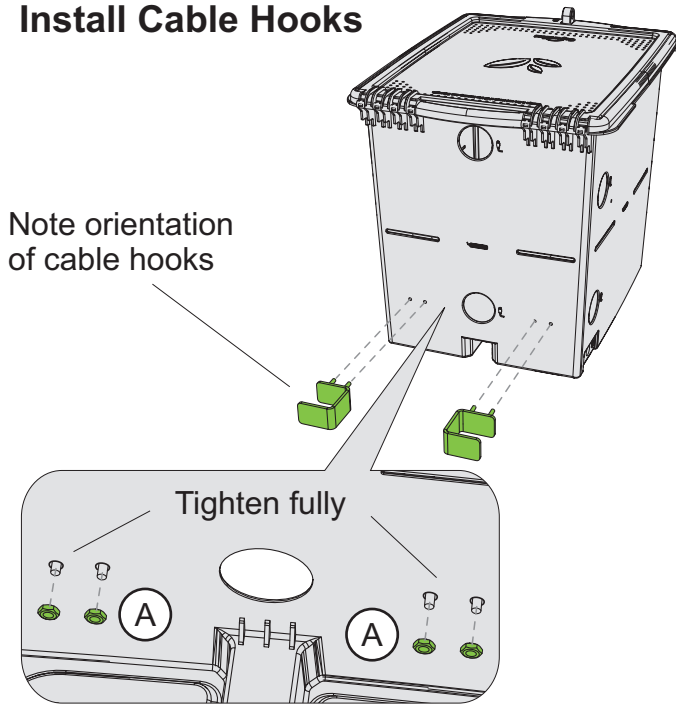
! Do NOT tighten bolts
Keep them loose



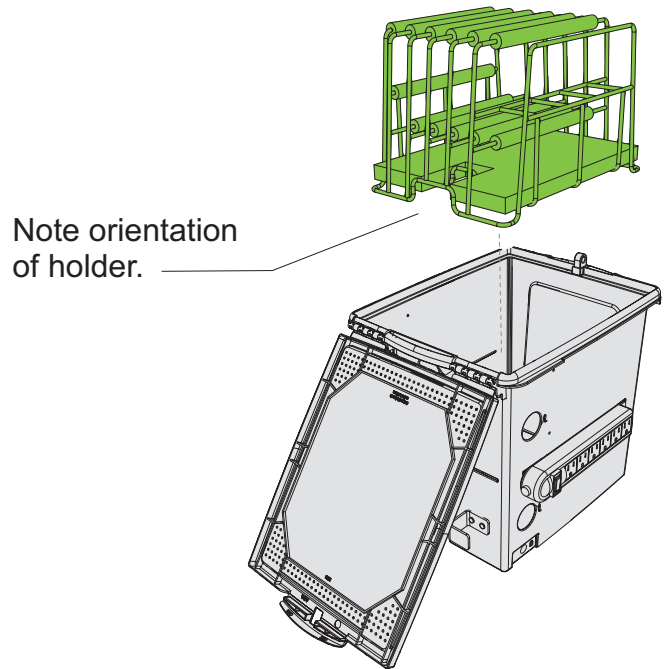
2	Actual Size:  M4 lock nut 4x
	You will need: (Not to Scale)  Cable Hook 2x

3	Actual Size:
	You will need: (Not to Scale)  5-Device Holder 1x

Install Cable Hooks

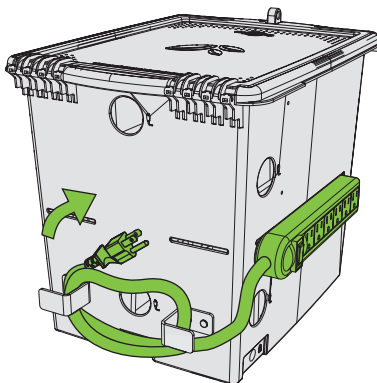


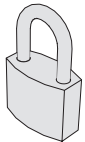
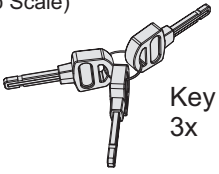
Install Device Holder



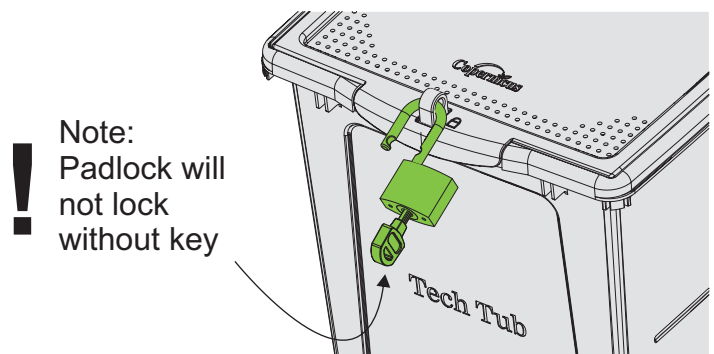
4	Actual Size:
	You will need: (Not to Scale)

Wrap Power Strip Cable



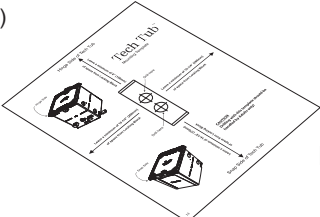
5	Actual Size:
	You will need: (Not to Scale)  Padlock 1x  Key 3x

Lock Lid with Padlock



OPTIONAL: Follow Steps 6 to 8 to install the Tech Tub™ Locking Block and Locking Pin System

6 You will need: (Not to Scale)



Positioning Template (found at back of this guide)
1x

Use Template and Drill Holes into Surface

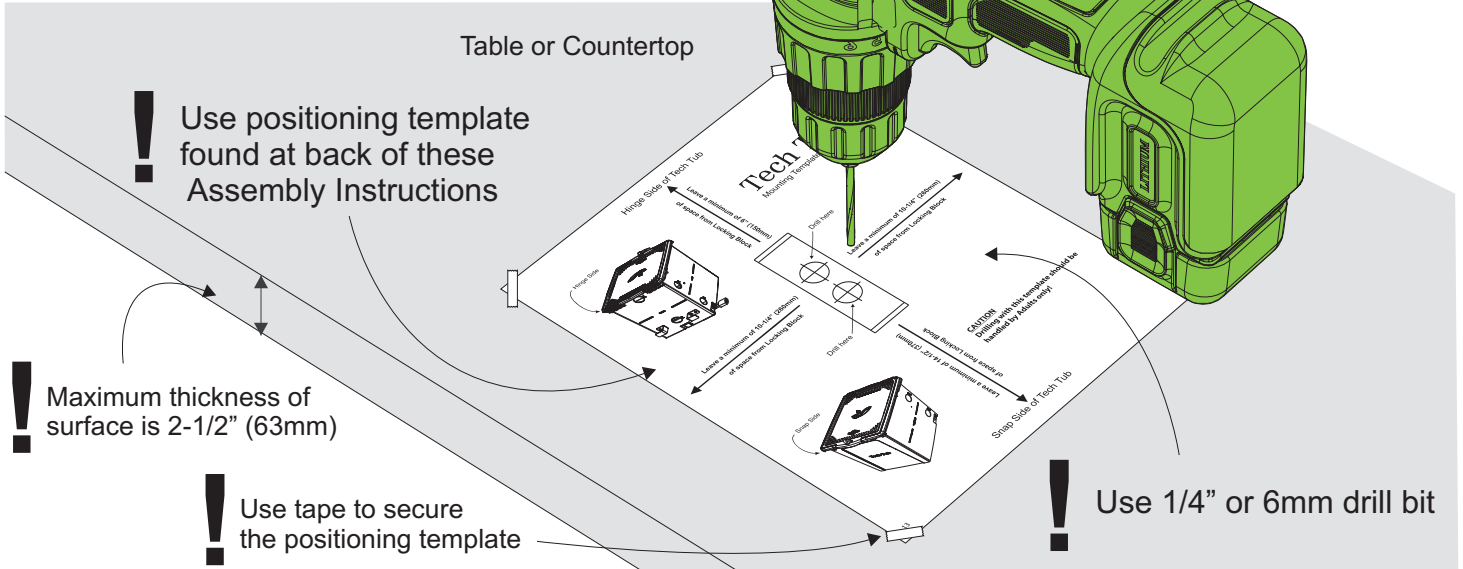


Table or Countertop

! Use positioning template found at back of these Assembly Instructions

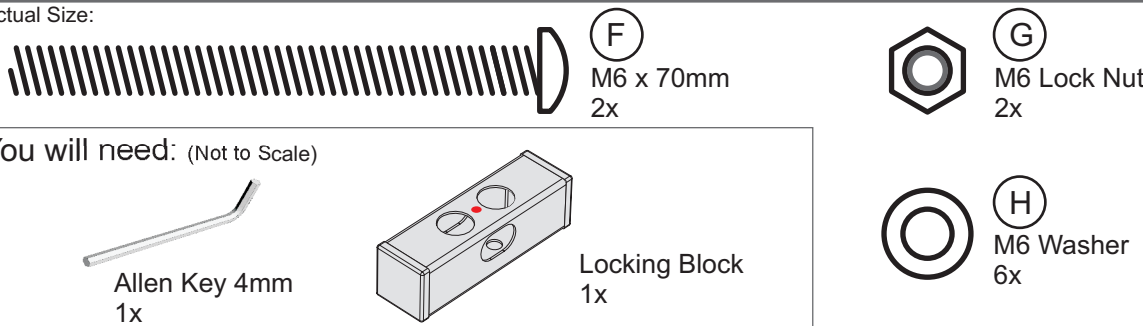
! Maximum thickness of surface is 2-1/2" (63mm)

! Use tape to secure the positioning template

! Use 1/4" or 6mm drill bit

CAUTION: Do not touch the template while handling by pins only.

7 Actual Size:



You will need: (Not to Scale)

Allen Key 4mm
1x

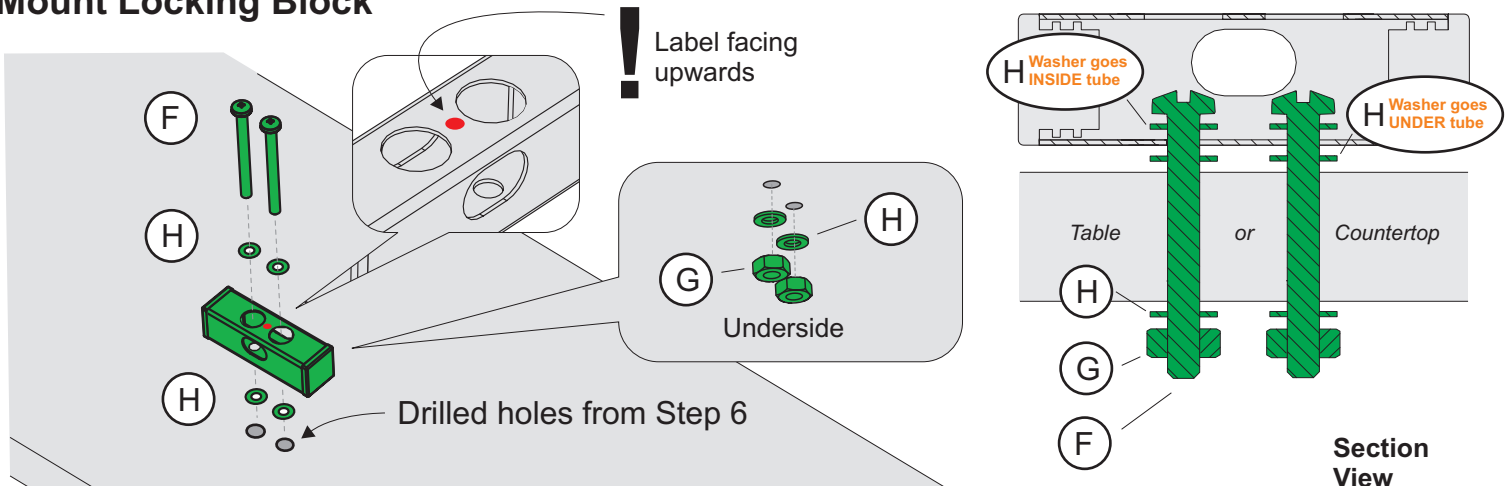
Locking Block
1x

F M6 x 70mm
2x

G M6 Lock Nut
2x

H M6 Washer
6x

Mount Locking Block



! Label facing upwards

Underside

Drilled holes from Step 6

Table or Countertop

H Washer goes INSIDE tube

H Washer goes UNDER tube

Section View



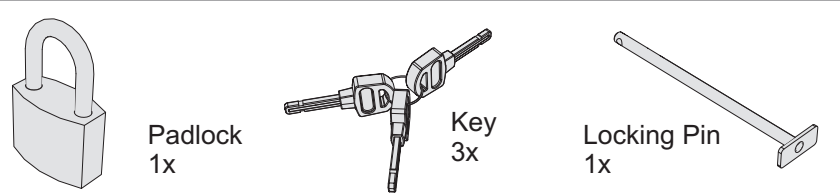
OPTIONAL: Follow Steps 6 to 8 to install the Tech Tub™ Locking Block and Locking Pin System

8 You will need: (Not to Scale)

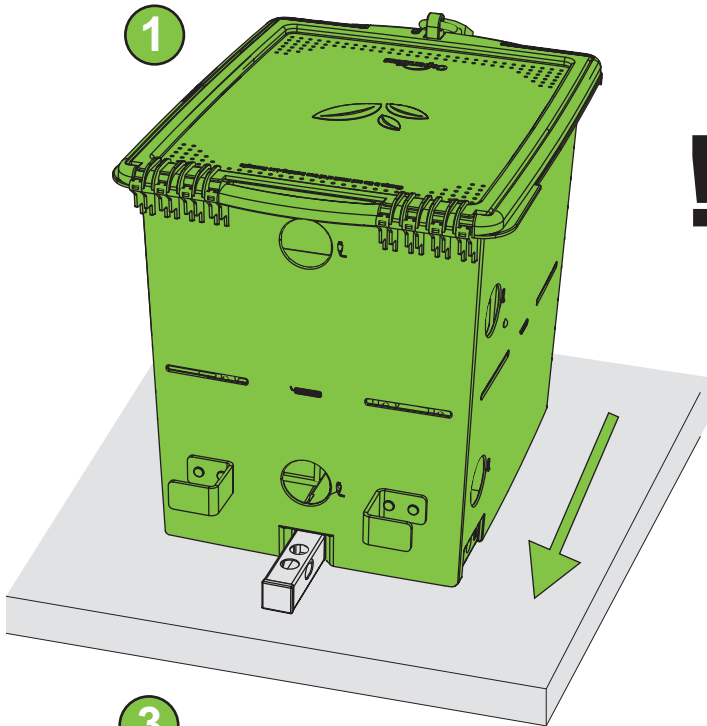
Padlock 1x

Key 3x

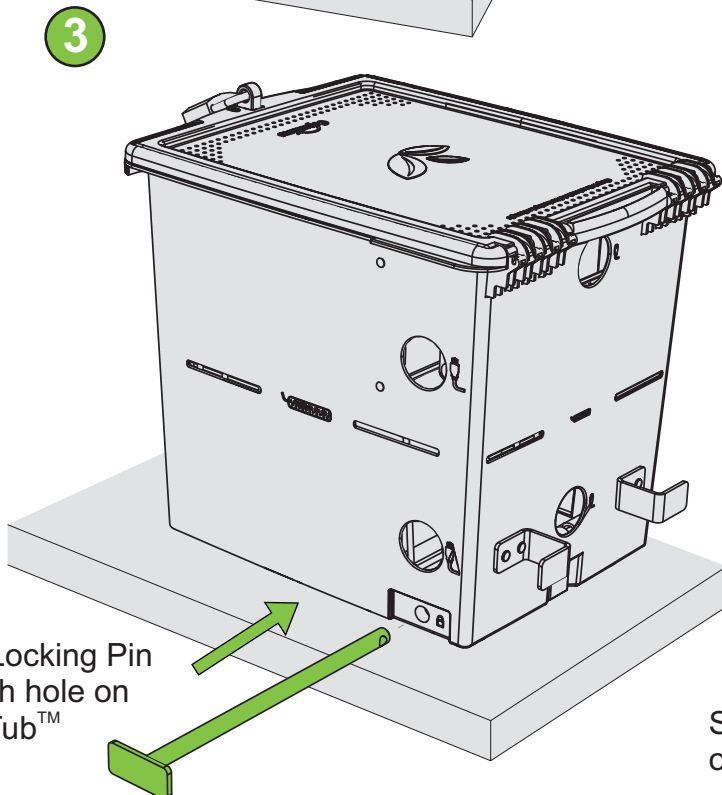
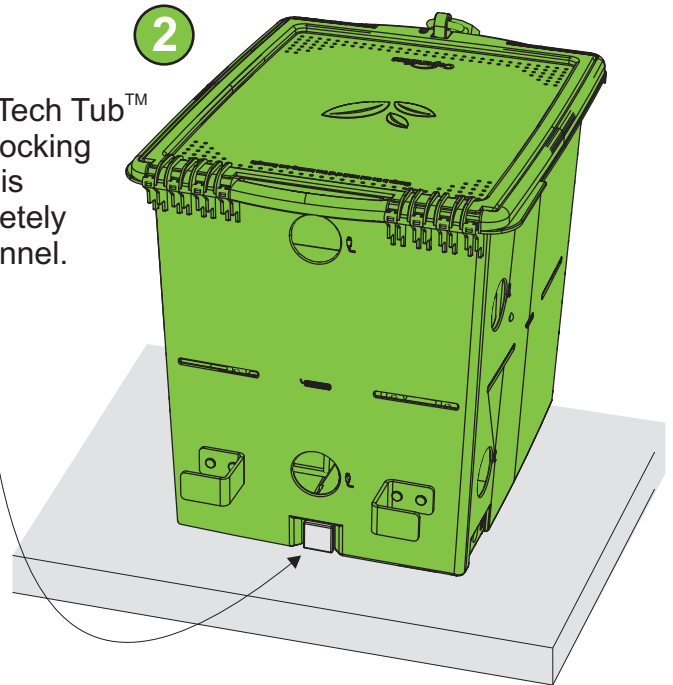
Locking Pin 1x



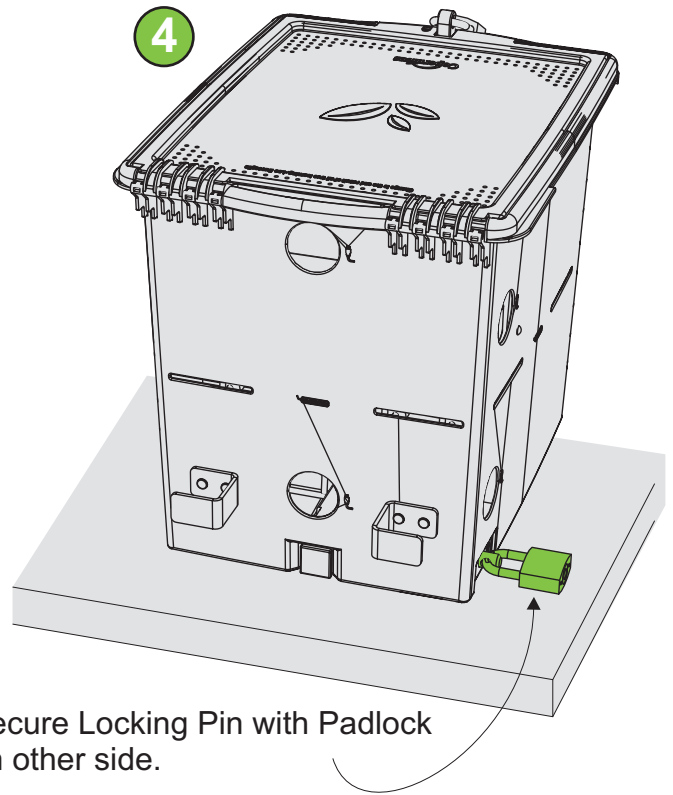
Lock the Tech Tub™ with Locking Pin



Push Tech Tub™ until Locking Block is completely in channel.



Slide Locking Pin through hole on Tech Tub™



Secure Locking Pin with Padlock on other side.

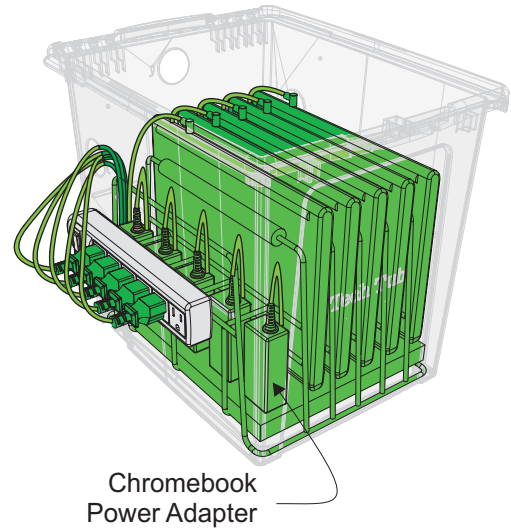
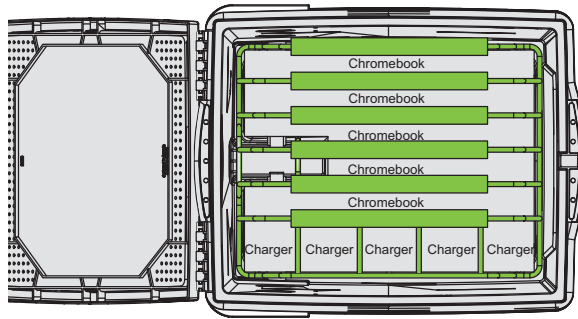




Tips for Use

How to organize your device

Ensure the device's charging ports are easily accessible when loading.



Chromebook Power Adapter

Device Management

Keeping track of your devices can be made easier by creating a sign-out program.

There are many automated software solutions available that make setting up and running a device check-out program very easy.

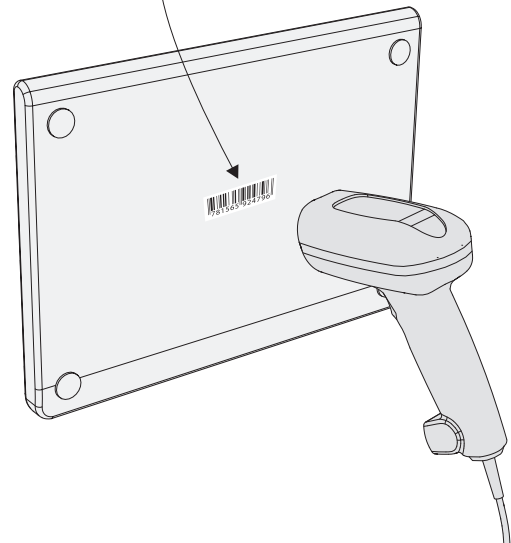
Here is a list of some companies and their products:

ResourceMate® - www.resourcemate.com

Neuton Data Systems - www.neuton.net

IntelliScanner - www.intelliscanner.com

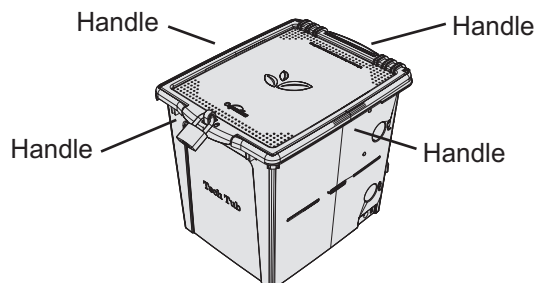
Use a barcode and scanner for identifying your devices.



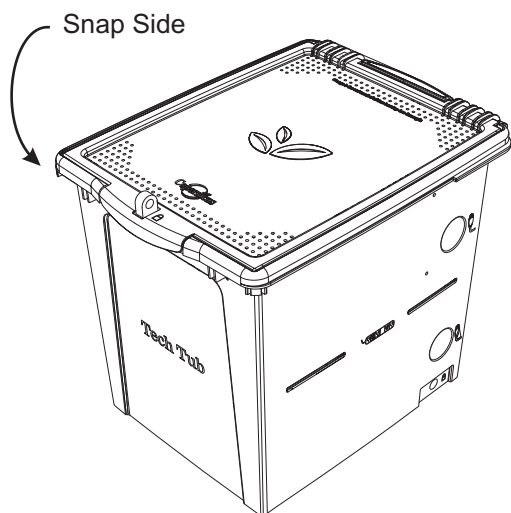
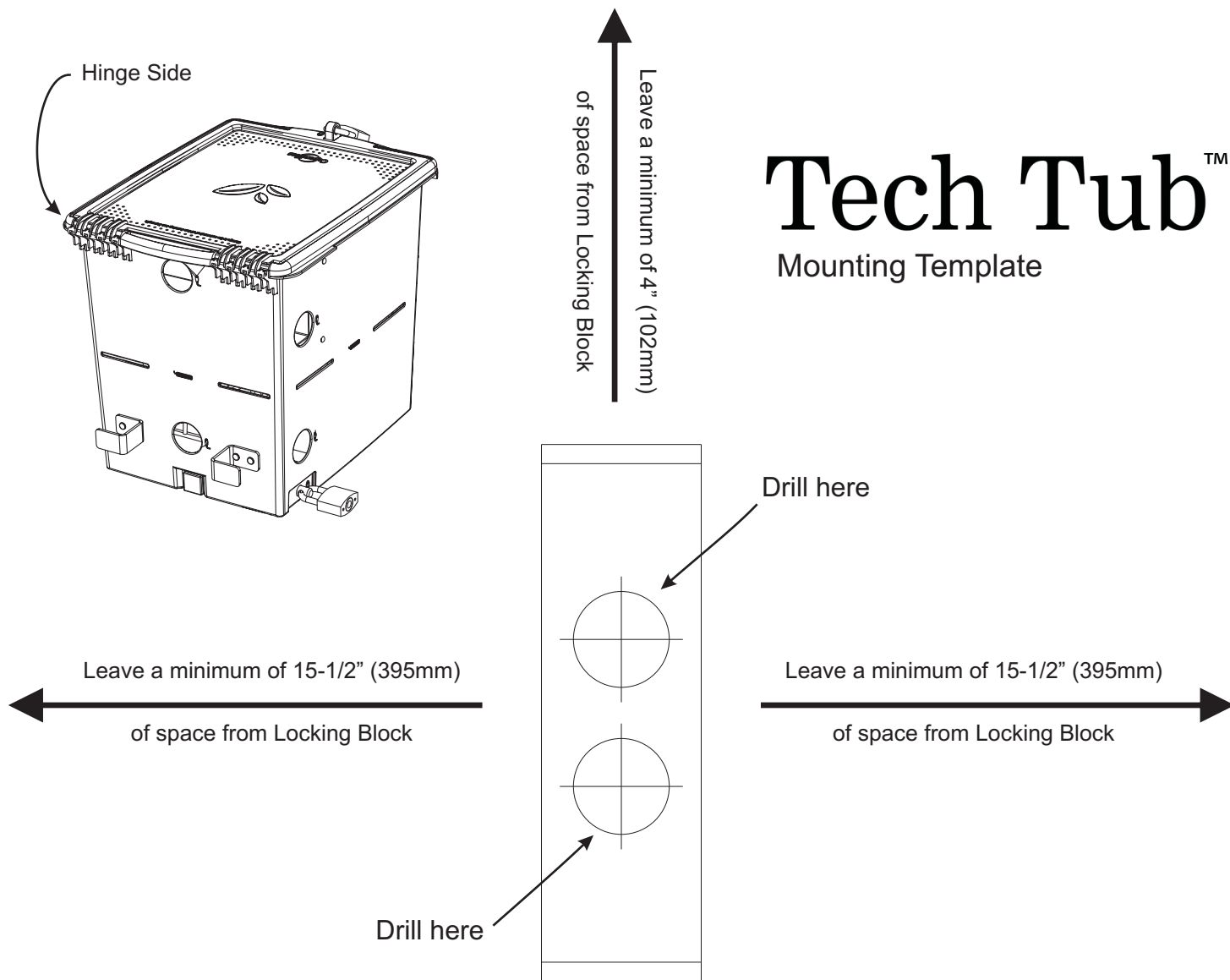
★ Does your school already use an automated system to keep track of books? You could use this system to also keep track of your devices!

Carrying your Tech Tub™

Use the Handles along the sides of the Tech Tub™ for easy lifting and carrying.



Hinge Side of Tech Tub



Leave a minimum of 11" (280mm) of space from Locking Block

Snap Side of Tech Tub

CAUTION

Drilling with this template should be handled by Adults only!

