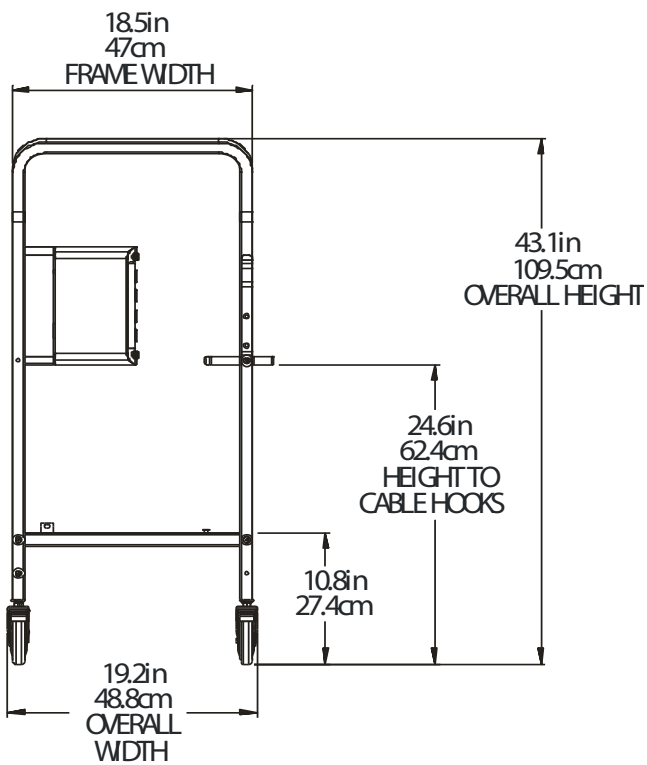
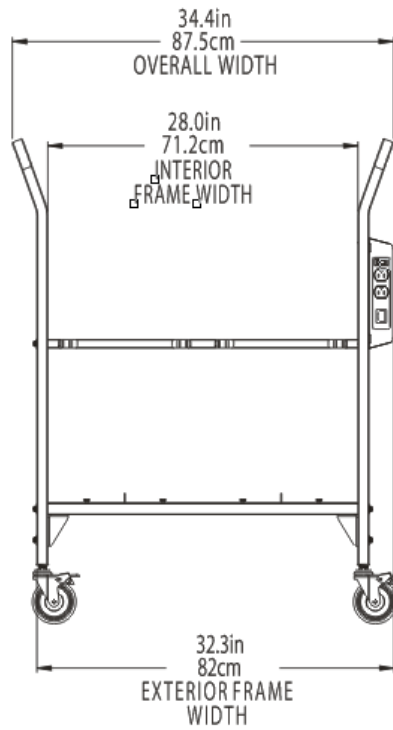


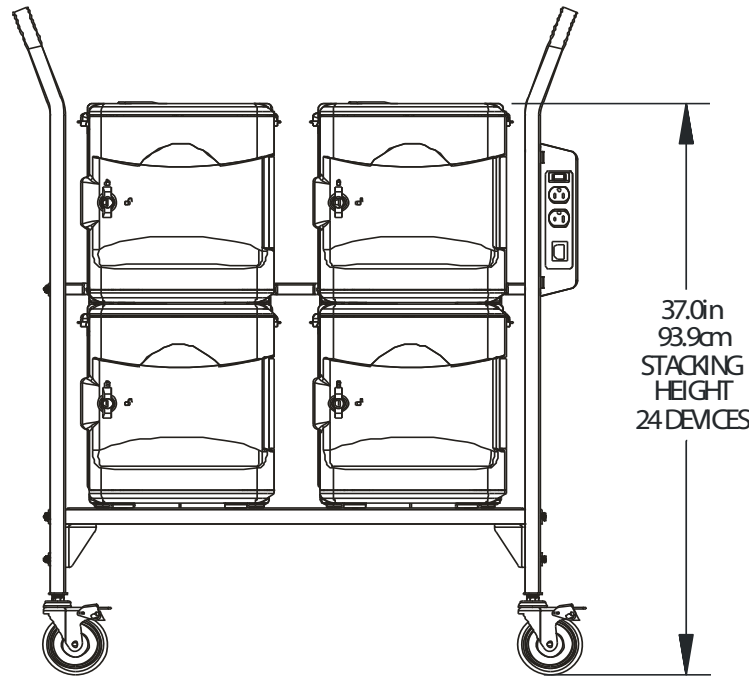
Tech Tub²® Modular Cart System

Model: FTT401

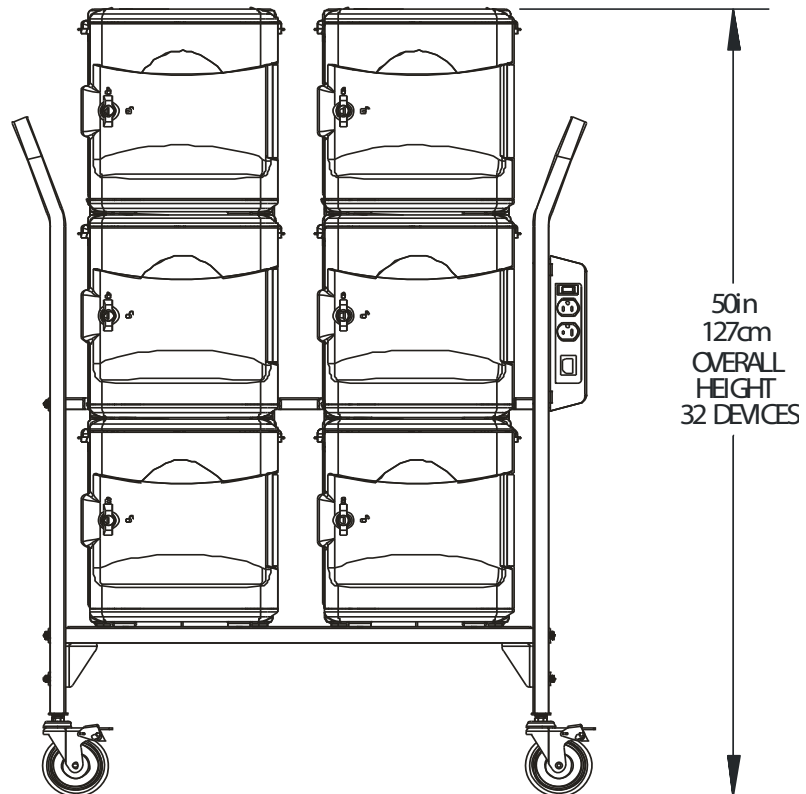


Tech Tub²® Modular Cart System

Model: FTT624, FTT624-USB



Model: FTT632, FTT632-USB



Tech Tub²® Modular Cart System

Warranty:

5 Year frame warranty
 Lifetime Tech Tub²® warranty
 1 Year Tech Tub²® power strip/USB hub warranty

Physical Specifications:

FTT624, FTT624-USB - 24 Device

43-1/8" H x 34-1/2" W x 19-3/8" D (109.5cm H x 87.5cm W x 49cm D)

FTT632, FTT632-USB - 32 Device

• 50" H x 34-1/2" W x 19-3/8" D (127cm H x 87.5cm W x 49cm D)

Tech Tub²® Modular Cart System

Model: FTT624

Carton Sizes & Weights:

| | Part No. | Carton Size (outer dimensions) | Carton Weight | Shipping Size (cubic feet) | Shipping Weights |
|--|-----------------|---|----------------------|--------------------------------------|-------------------------|
| Tech Tub²® with 6-outlet power strip | FTT600-A | 13-1/2" H x 12-1/2" W x 17-1/8" D 34.3cm H x 31.8cm W x 43.5cm D | 11lbs 14oz 5.4 kg | 1.67 | 12 |
| Tech Tub²® with 6-outlet power strip | FTT600-A | 13-1/2" H x 12-1/2" W x 17-1/8" D 34.3cm H x 31.8cm W x 43.5cm D | 11lbs 14oz 5.4 kg | 1.67 | 12 |
| Tech Tub²® with 6-outlet power strip | FTT600-A | 13-1/2" H x 12-1/2" W x 17-1/8" D 34.3cm H x 31.8cm W x 43.5cm D | 11lbs 14oz 5.4 kg | 1.67 | 12 |
| Tech Tub²® with 6-outlet power strip | FTT600-A | 13-1/2" H x 12-1/2" W x 17-1/8" D 34.3cm H x 31.8cm W x 43.5cm D | 11lbs 14oz 5.4 kg | 1.67 | 12 |
| Modular Cart Frame | FTT401-0 | 38-7/8" H x 19-3/8" W x 8-3/8" D 98.6cm H x 49.0cm W x 21.1cm D | 46lbs 3oz 21.0kg | 3.6 | 37 |

Tech Tub^{2®} Modular Cart System

Model: FTT624-USB

Carton Sizes & Weights:

| | Part No. | Carton Size (outer dimensions) | Carton Weight | Shipping Size (cubic feet) | Shipping Weights |
|-------------------------------------|----------|--|----------------------|-------------------------------|------------------|
| Tech Tub ^{2®} with USB Hub | FTT600-C | 13-1/2" H x 12-1/2" W x 17-1/8" D 34.3cm H x 31.8cm W x 43.5cm D | 11lbs 14oz 5.4 kg | 1.67 | 12 |
| Tech Tub ^{2®} with USB Hub | FTT600-C | 13-1/2" H x 12-1/2" W x 17-1/8" D D34.3cm H x 31.8cm W x 43.5cm D | 11lbs 14oz 5.4 kg | 1.67 | 12 |
| Tech Tub ^{2®} with USB Hub | FTT600-C | 13-1/2" H x 12-1/2" W x 17-1/8" D D34.3cm H x 31.8cm W x 43.5cm D | 11lbs 14oz 5.4 kg | 1.67 | 12 |
| Tech Tub ^{2®} with USB Hub | FTT600-C | 13-1/2" H x 12-1/2" W x 17-1/8" D D34.3cm H x 31.8cm W x 43.5cm D | 11lbs 14oz 5.4 kg | 1.67 | 12 |
| Modular Cart Frame | FTT401-0 | 38-7/8" H x 19-3/8" W x 8-3/8" D 98.6cm H x 49.0cm W x 21.1cm D | 46lbs 3oz 21.0kg | 3.6 | 37 |

Tech Tub^{2®} Modular Cart System

Model: FTT632

Carton Sizes & Weights:

| | Part No. | Carton Size (outer dimensions) | Carton Weight | Shipping Size (cubic feet) | Shipping Weights |
|---|----------|--|----------------------|-------------------------------|------------------|
| Tech Tub ^{2®} with 6-outlet power strip | FTT600-A | 13-1/2" H x 12-1/2" W x 17-1/8" D 34.3cm H x 31.8cm W x 43.5cm D | 11lbs 14oz 5.4 kg | 1.67 | 12 |
| Tech Tub ^{2®} with 6-outlet power strip | FTT600-A | 13-1/2" H x 12-1/2" W x 17-1/8" D D34.3cm H x 31.8cm W x 43.5cm D | 11lbs 14oz 5.4 kg | 1.67 | 12 |
| Tech Tub ^{2®} | FTT600-0 | 13-1/2" H x 12-1/2" W x 17-1/8" D D34.3cm H x 31.8cm W x 43.5cm D | 11lbs 14oz 5.4 kg | 1.67 | 12 |
| Tech Tub ^{2®} | FTT600-0 | 13-1/2" H x 12-1/2" W x 17-1/8" D D34.3cm H x 31.8cm W x 43.5cm D | 11lbs 14oz 5.4 kg | 1.67 | 12 |
| Tech Tub ^{2®} with 10-outlet power strip | FTT600-B | 13-1/2" H x 12-1/2" W x 17-1/8" D D34.3cm H x 31.8cm W x 43.5cm D | 11lbs 14oz 5.4 kg | 1.67 | 12 |
| Tech Tub ^{2®} with 10-outlet power strip | FTT600-B | 13-1/2" H x 12-1/2" W x 17-1/8" D D34.3cm H x 31.8cm W x 43.5cm D | 11lbs 14oz 5.4 kg | 1.67 | 12 |
| Modular Cart Frame | FTT401-0 | 38-7/8" H x 19-3/8" W x 8-3/8" D 98.6cm H x 49.0cm W x 21.1cm D | 46lbs 3oz 21.0kg | 3.6 | 37 |

Tech Tub²® Modular Cart System

Model: FTT632-USB

Carton Sizes & Weights:

| | Part No. | Carton Size (outer dimensions) | Carton Weight | Shipping Size (cubic feet) | Shipping Weights |
|---|-----------------|--|----------------------|--------------------------------------|-------------------------|
| Tech Tub²® with USB Hub | FTT600-C | 13-1/2" H x 12-1/2" W x 17-1/8" D 34.3cm H x 31.8cm W x 43.5cm D | 11lbs 14oz 5.4 kg | 1.67 | 12 |
| Tech Tub²® with USB Hub | FTT600-C | 13-1/2" H x 12-1/2" W x 17-1/8" D D34.3cm H x 31.8cm W x 43.5cm D | 11lbs 14oz 5.4 kg | 1.67 | 12 |
| Tech Tub²® with USB Hub | FTT600-C | 13-1/2" H x 12-1/2" W x 17-1/8" D D34.3cm H x 31.8cm W x 43.5cm D | 11lbs 14oz 5.4 kg | 1.67 | 12 |
| Tech Tub²® with USB Hub | FTT600-C | 13-1/2" H x 12-1/2" W x 17-1/8" D D34.3cm H x 31.8cm W x 43.5cm D | 11lbs 14oz 5.4 kg | 1.67 | 12 |
| Tech Tub²® | FTT600-0 | 13-1/2" H x 12-1/2" W x 17-1/8" D D34.3cm H x 31.8cm W x 43.5cm D | 11lbs 14oz 5.4 kg | 1.67 | 12 |
| Tech Tub²® | FTT600-0 | 13-1/2" H x 12-1/2" W x 17-1/8" D D34.3cm H x 31.8cm W x 43.5cm D | 11lbs 14oz 5.4 kg | 1.67 | 12 |
| Modular Cart Frame | FTT401-0 | 38-7/8" H x 19-3/8" W x 8-3/8" D 98.6cm H x 49.0cm W x 21.1cm D | 46lbs 3oz 21.0kg | 3.6 | 37 |

Copernicus Educational Products

USA | PMB #459, 60 Industrial Pkwy | Cheektowaga, NY | 14227
 CANADA: R.R. #3, 8194 County Road 109 | Arthur, ON | N0G 1A0
 P 1 800 267 8494 | E info@copernicused.com

Copernicus Educational Products is not responsible for printing errors. Copernicus reserves the right to change or modify pricing and products specifications with or without prior notification. Illustrations and descriptions may not be exactly as shown. No part may be reproduced by any means without prior authorization of Copernicus Educational Products Inc. All rights reserved. 2015 ©