

Premium Teach N' Go Cart



Assembly Guide TAG2_2014_A

Check out our other products online at
www.copernicused.com

For assistance, please contact us:

1-800-267-8494

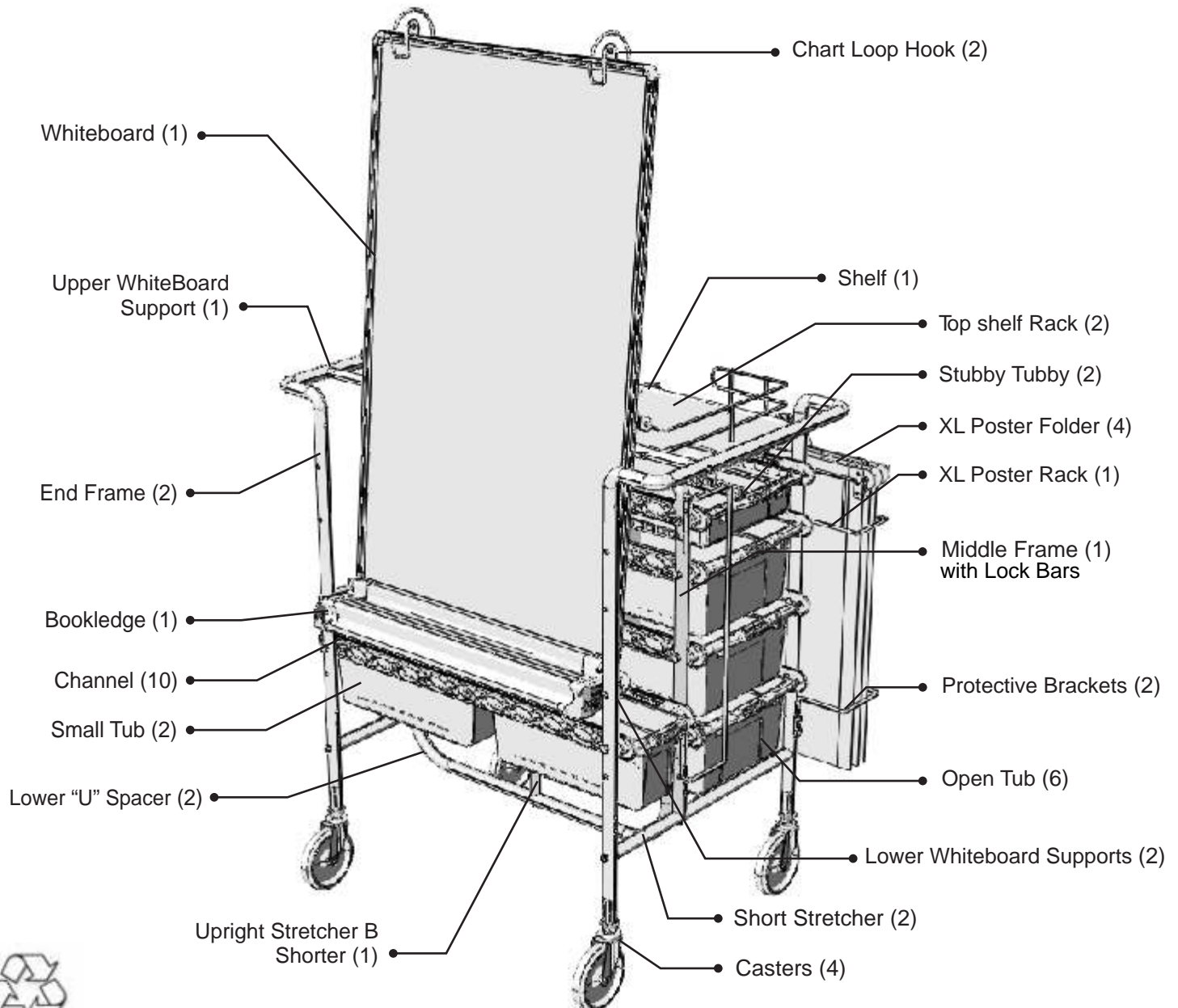
Email info@copernicused.com

Have your packing slip ready for reference

WARNING !

- This product is meant to be assembled by an adult.
- In its unassembled state, small parts present a hazard.
- To be used under direct supervision of an adult.

Don't forget to check out our tips for your whiteboard at:
www.copernicused.com

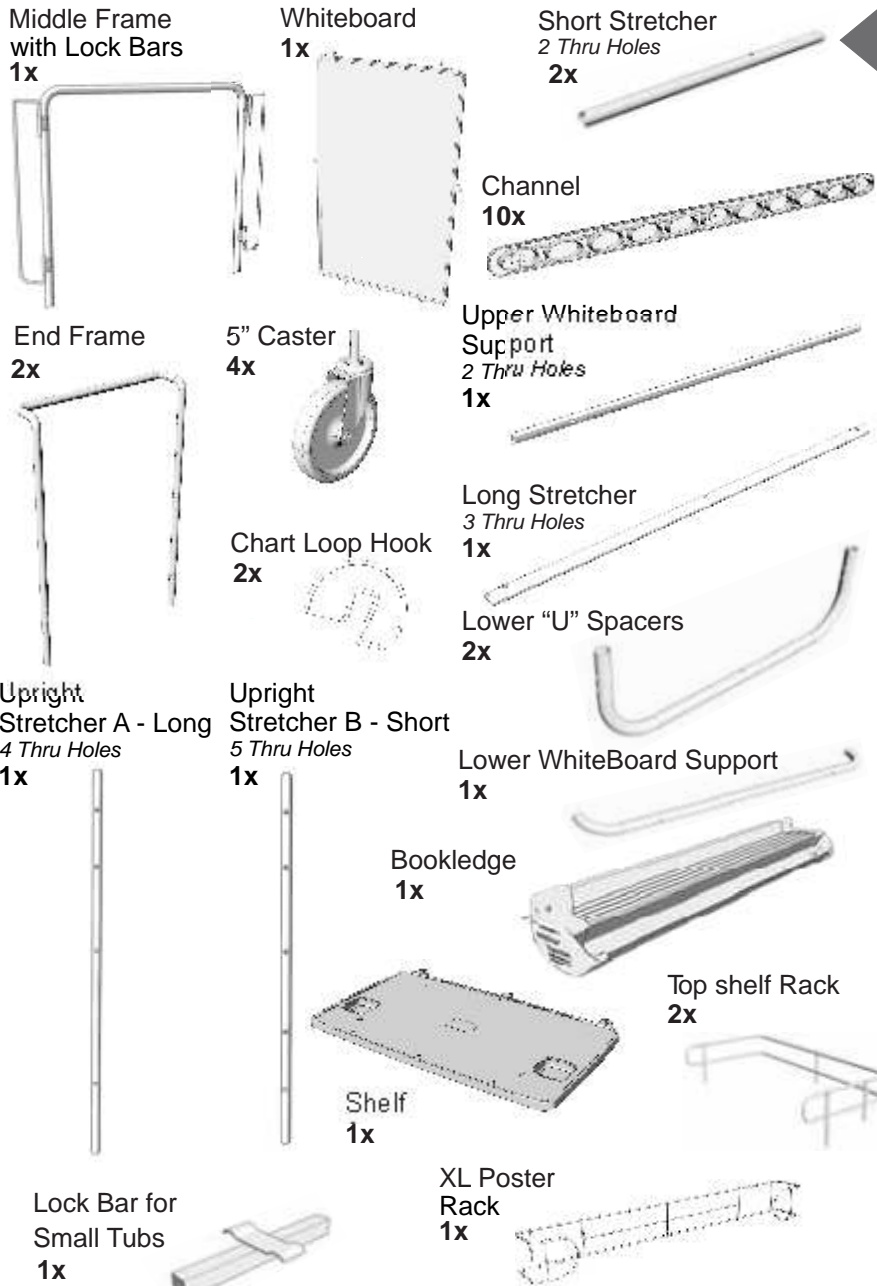


Please Recycle

Premium Teach N' Go Cart - Parts

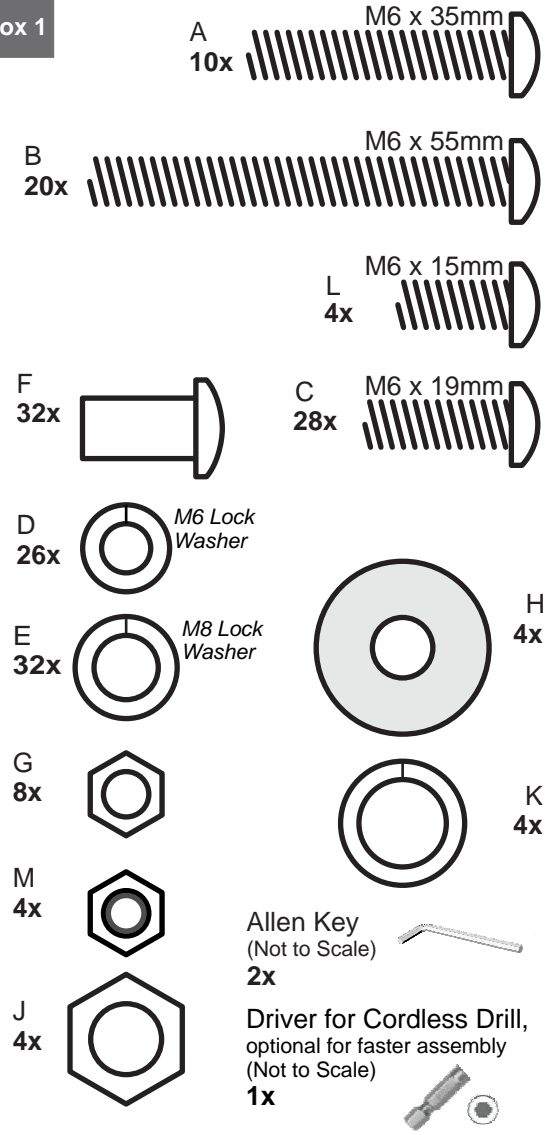
Before beginning, you should have:

Contents - Box 1

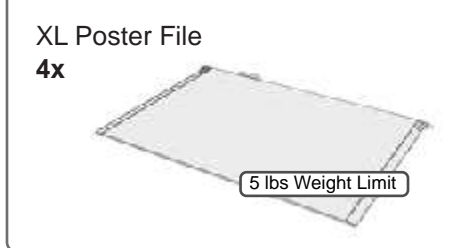


In Box 1

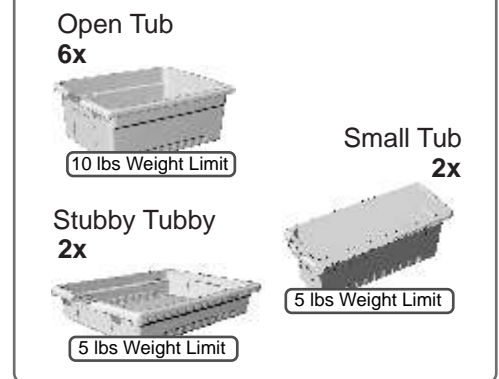
Hardware Actual Size



Contents - Box 3



Contents - Box 2



★ **Additional tools required: Adjustable wrench** 

Tips for Assembly - Using this Manual



2 Person

Watch for These Helpful Symbols

- This symbol denotes a 2 Person Task. For safety, please ensure that there are two people working on steps displaying this symbol



- Watch for this symbol throughout the Assembly Instructions. Wherever you see it, pay close attention. The symbol denotes a step needing extra attention to ensure it is done correctly.



- The Star symbol highlights an advisory note

Before You Begin



- Layout and identify all of the included parts
- The hardware has been packed according to steps
- Read the assembly instructions over once to familiarize yourself with them
- Please note that in its unassembled state, this product contains parts that can be a hazard to small children; it should be assembled by an adult.

As You Assemble the Unit



- Follow the steps in sequence
- Before beginning each step, find the part(s) that you need for that step
- Pay attention to the labeling on the parts, they are there to help direct you at certain stages
- The title of each step states what you will be doing. Review the text and the pictures as you build the unit.

After Assembly; Before Use

- Remove the plastic film from the Whiteboard before writing on it

Don't forget to check out our tips for your whiteboard at:
www.copernicused.com

**5
Year**

Frame
Warranty






**Life
Time**

Tub
Warranty

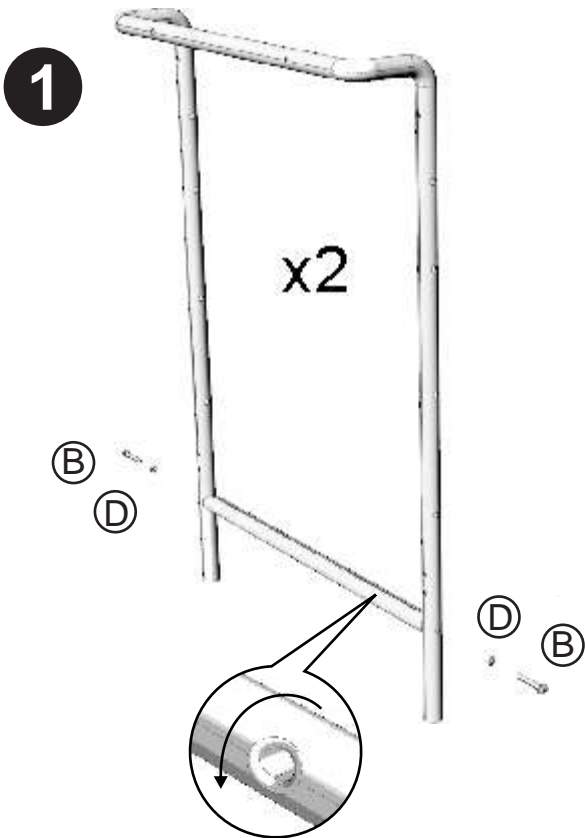
Validate Your Warranty On-Line

To validate your warranty submit the ON-LINE form at **www.copernicused.com**

“The beautiful thing about learning is that no one can take it away from you.” - B. B. King

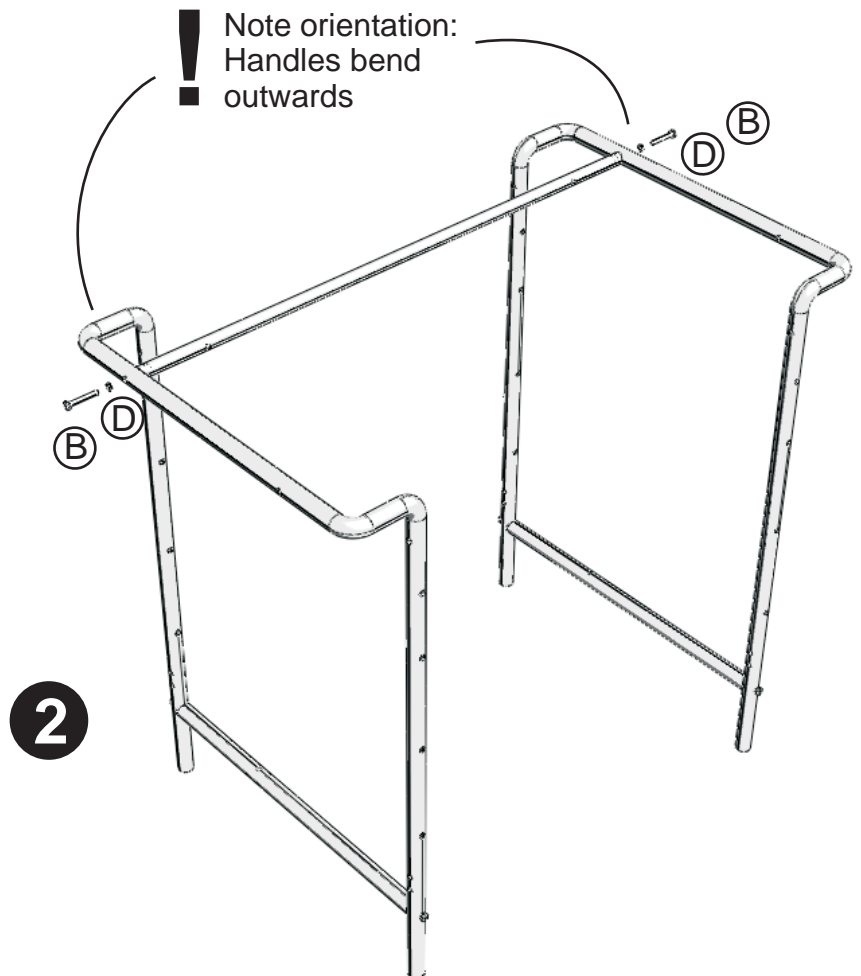
1	Actual Size: 
	<p>You will need: (Not to Scale)</p> <div style="display: flex; justify-content: space-around; align-items: flex-start;"> <div style="text-align: center;">  <p>Short Stretcher x 2</p> </div> <div style="text-align: center;">  <p>End Frame x 2</p> </div> <div style="text-align: center;">  <p>Upper Whiteboard Support x 1 2 Thru Holes</p> </div> </div>

Attach Stretchers to End Frames



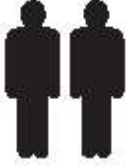
! Note: Assemble the short stretcher with the indentations to the floor.
Repeat for second end frame.

Connect End Frames together

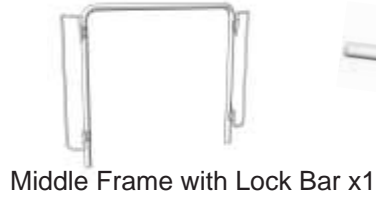


2

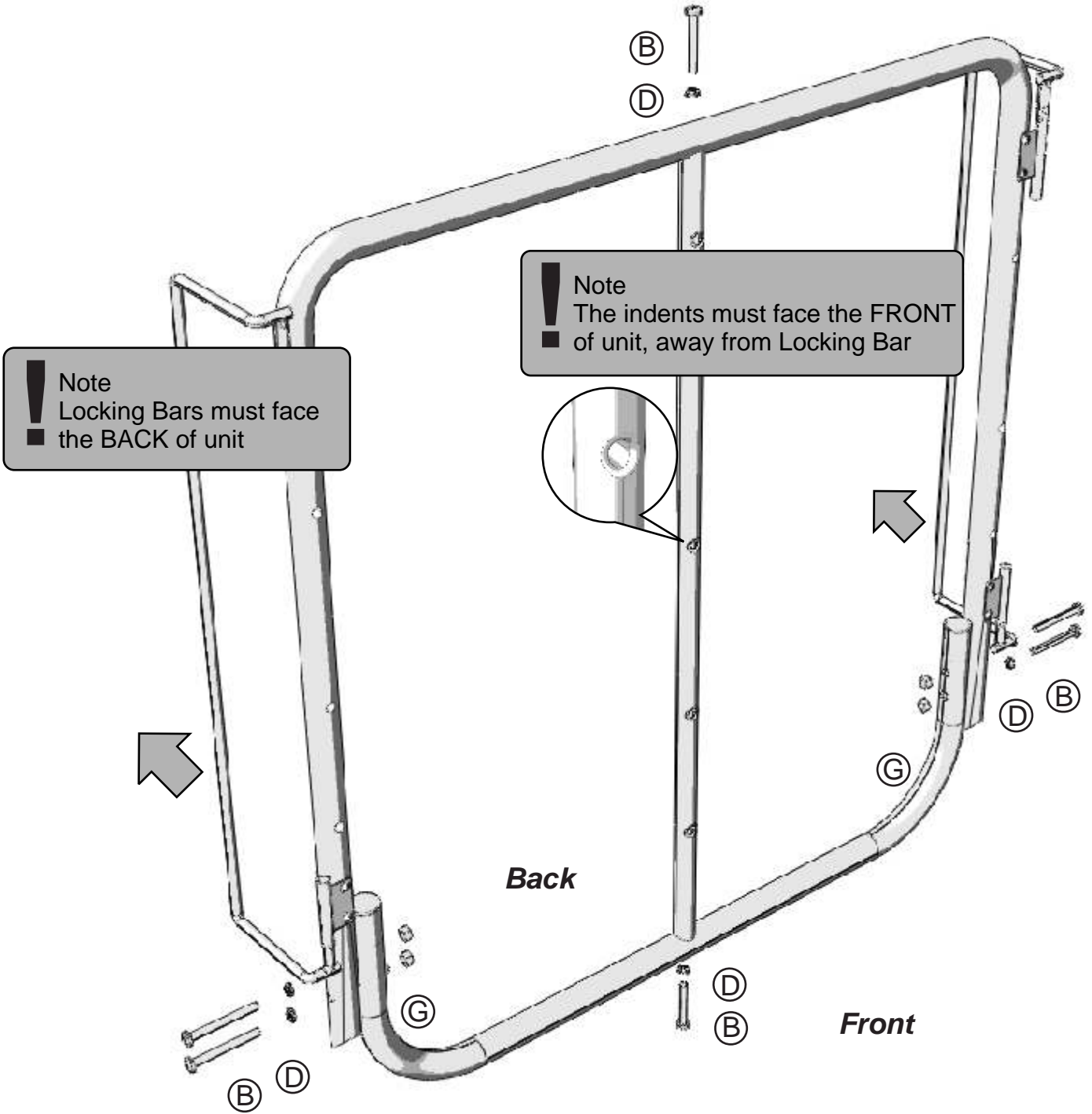
Actual Size:



You will need: (Not to Scale)



Assemble Middle Frame



3

Actual Size:



B x 2



D x 2



You will need: (Not to Scale)



Middle Frame with Lock Bar x1

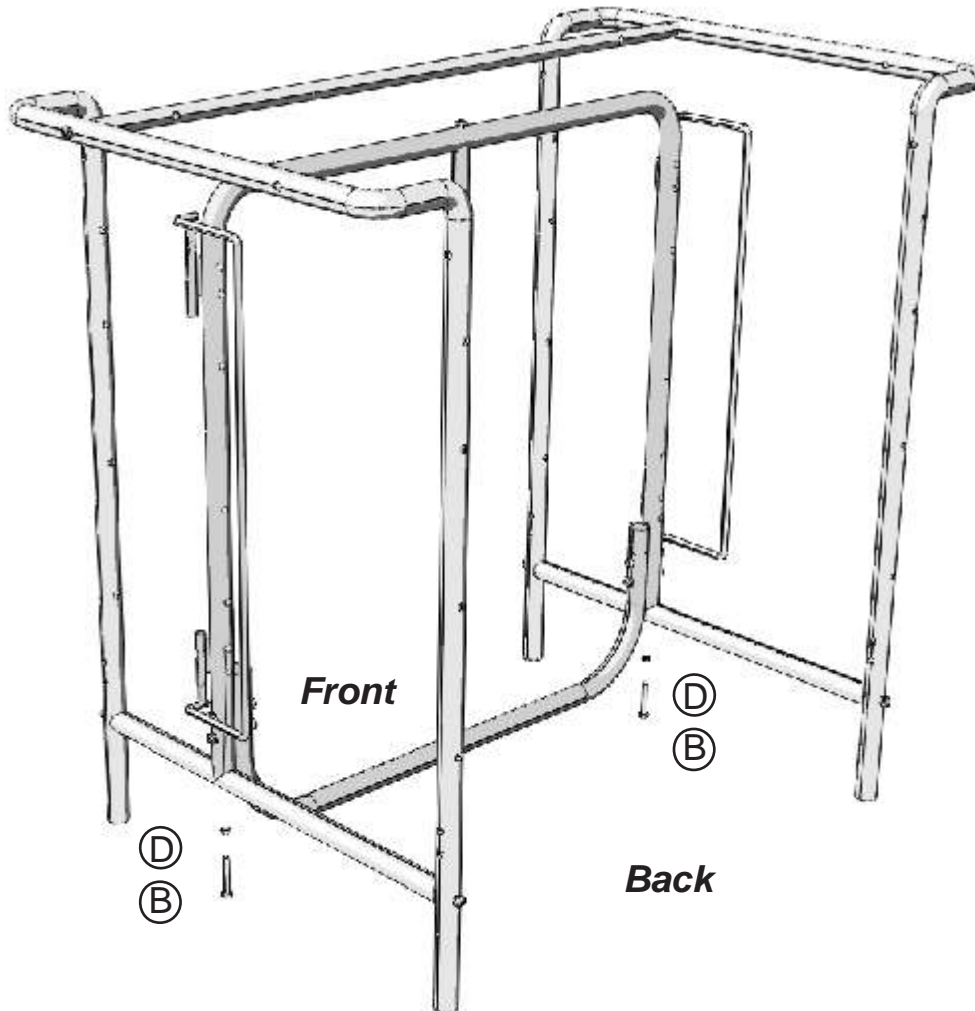
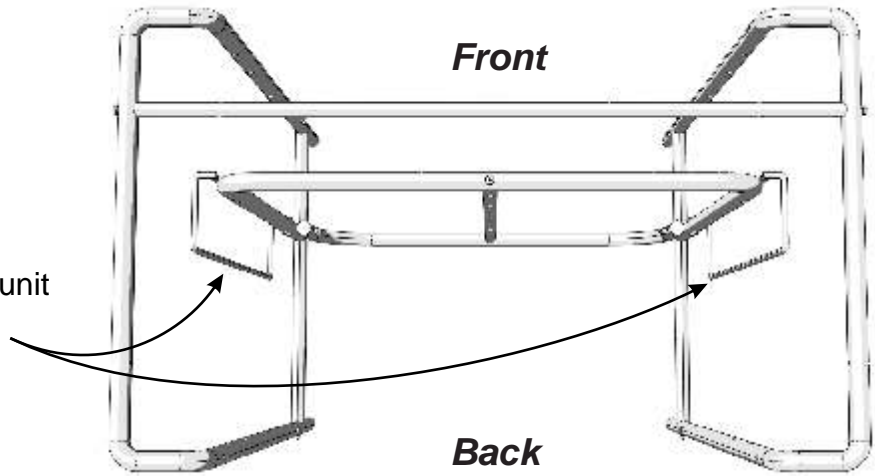


End Frame Assembly x1

Assemble Middle Frame

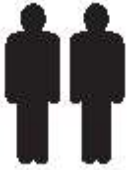


Note
Locking Bars face BACK of unit



4

Actual Size:



You will need: (Not to Scale)

Long Stretcher x1
3 Thru Holes

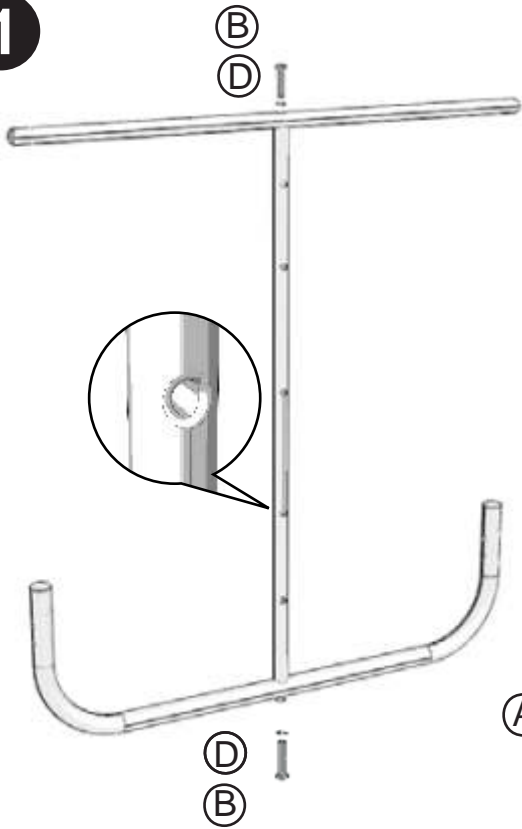
Upright Stretcher A Long x1
4 Thru holes

Lower "U" Spacers x 1

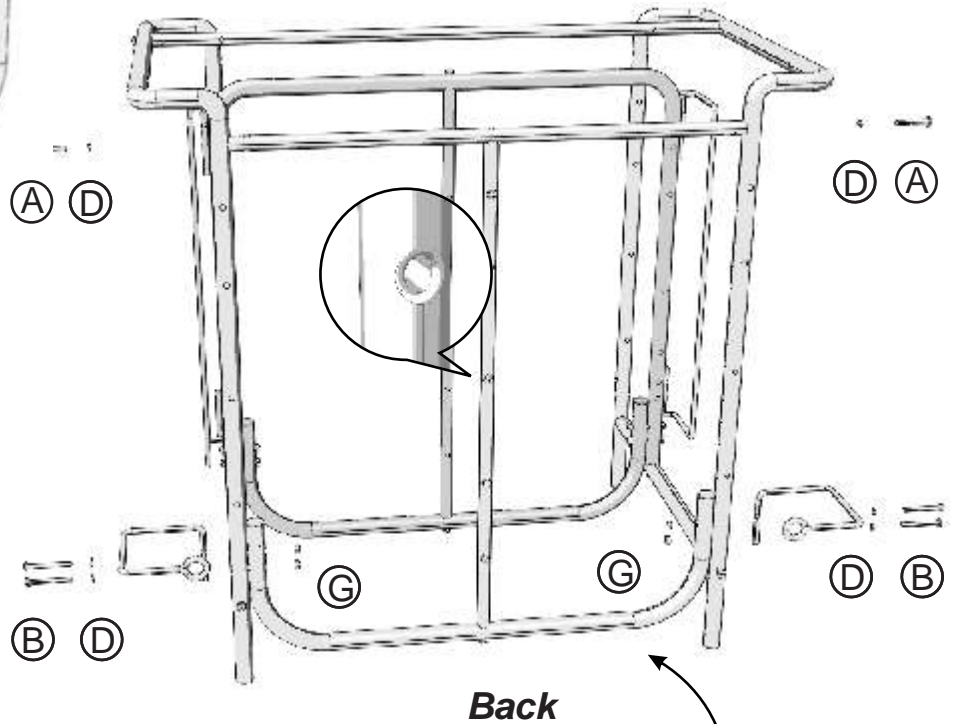
Protective Brackets x 2
1 left, 1 right

Assemble Outside Frame and Attach to Cart

1



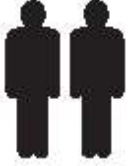
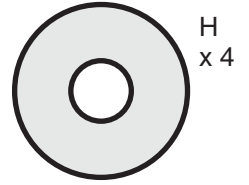
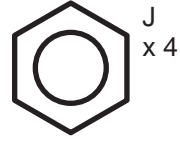
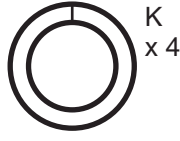
2



Note
Install with indent facing BACK of unit

5

Actual Size:



You will need: (Not to Scale)

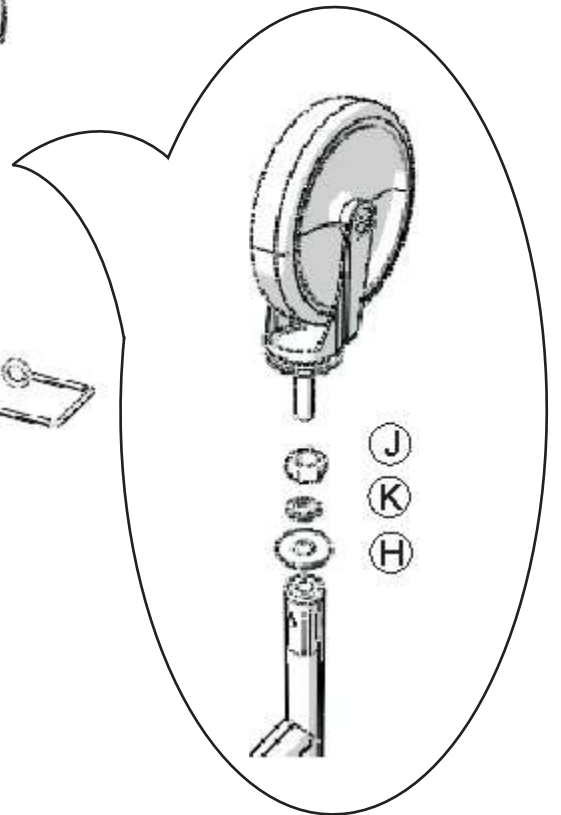
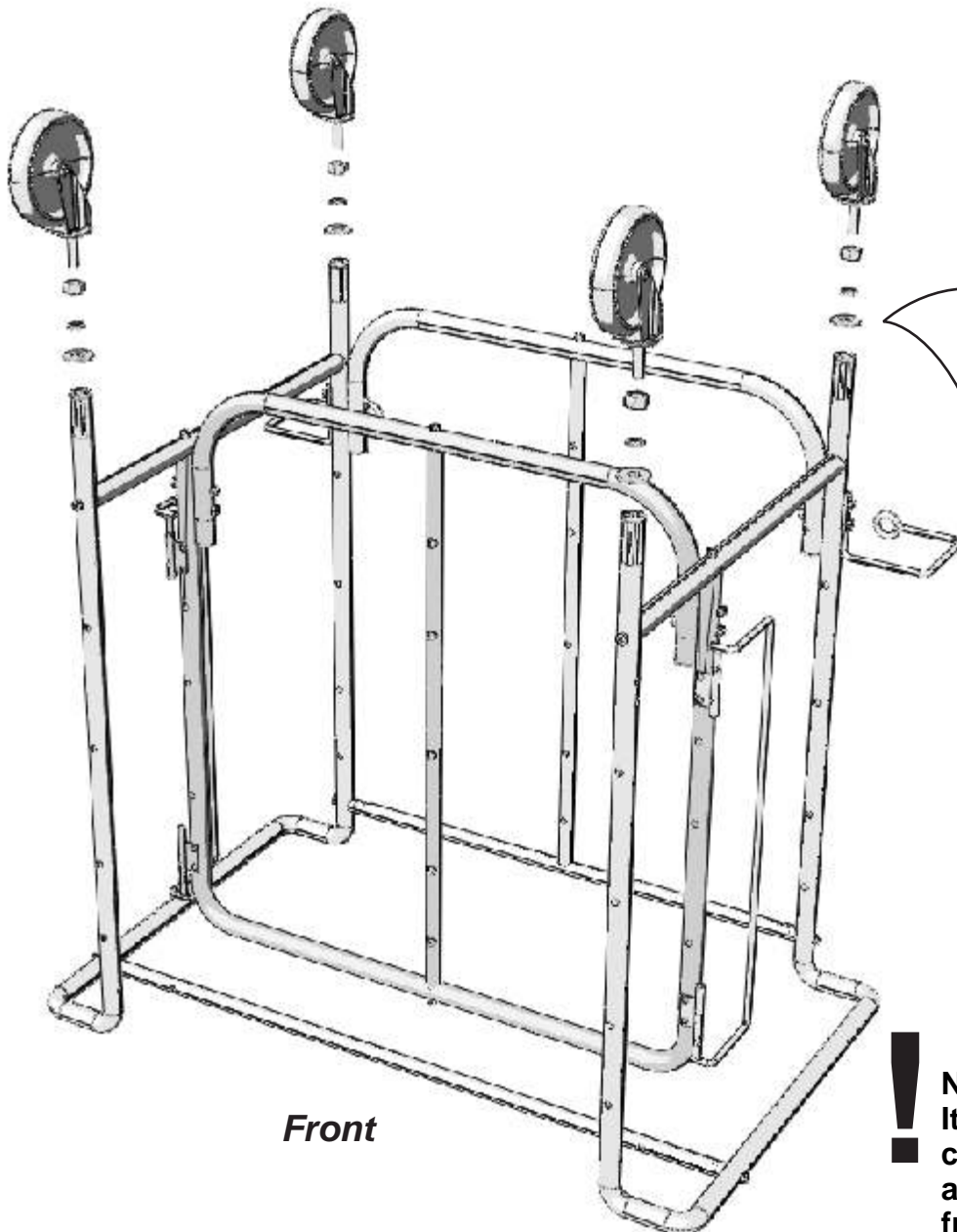
Caster x 4



Install Casters

★ **Tighten all Fasteners**

Use adjustable wrench to tighten casters

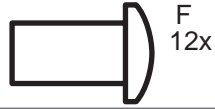


Note

It is recommended that the casters with brakes be installed at the back to prevent children from playing with them

6

Actual Size:



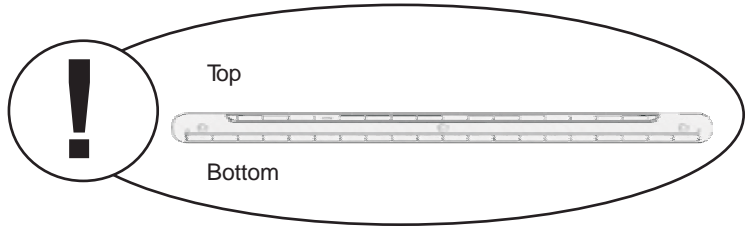
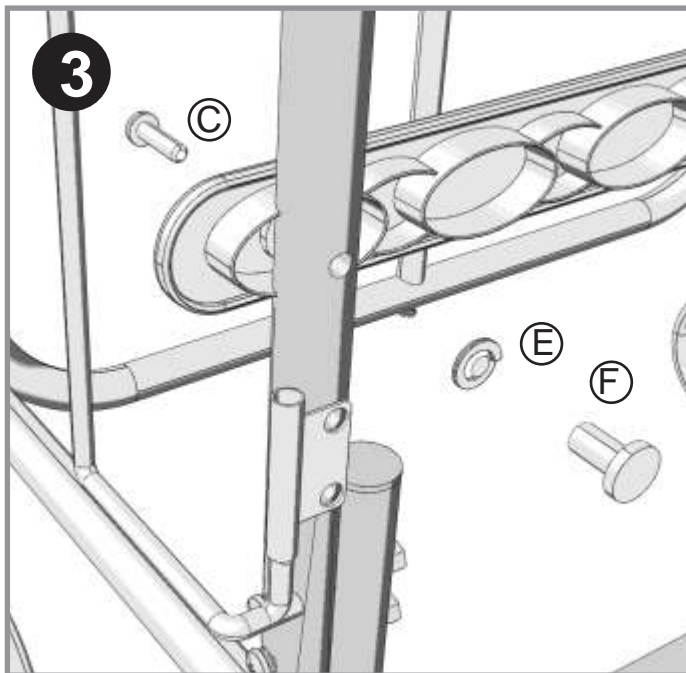
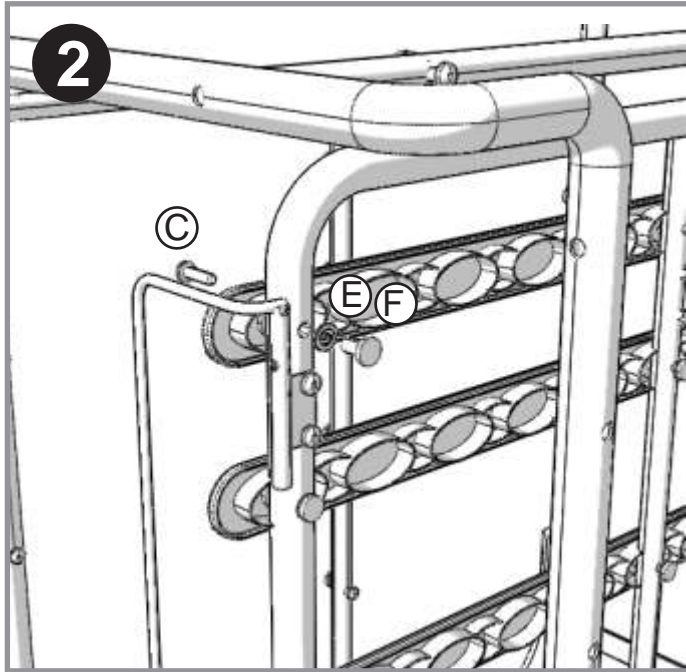
You will need: (Not to Scale)

Channels
4x

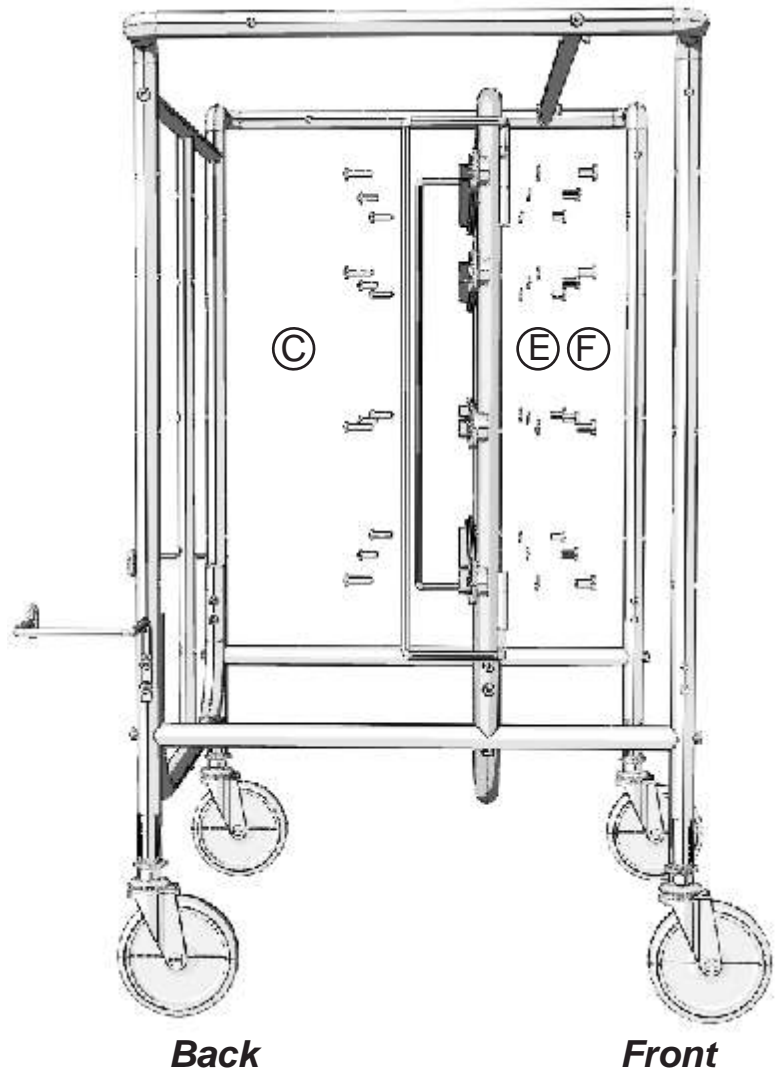


Assemble Tub Channels

Repeat at other end with mirror image

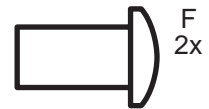


1 Attach Channels at Centre hole



7

Actual Size:



You will need: (Not to Scale)

Channels
2x



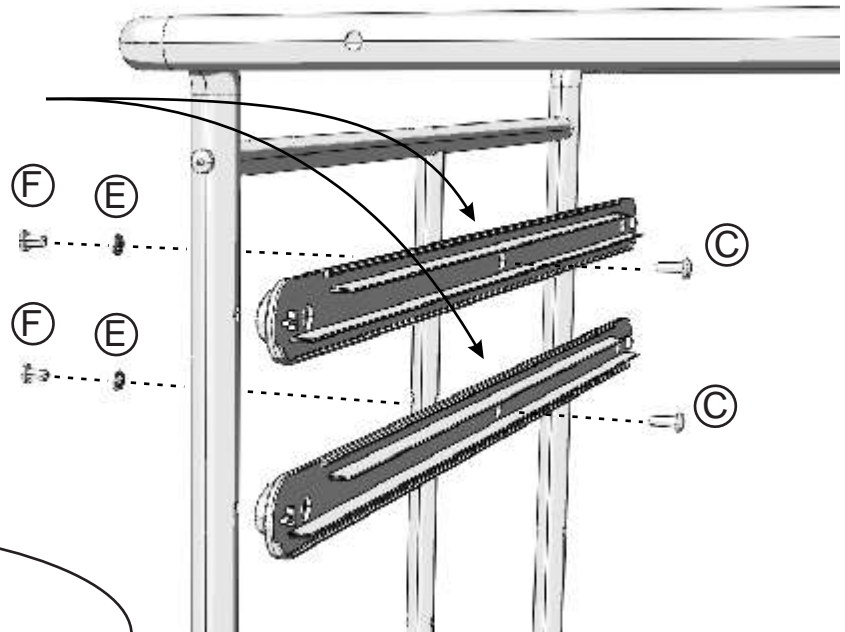
XL Poster Rack
1x



Attach Poster File Holder and Channels

1

Install center bolts first

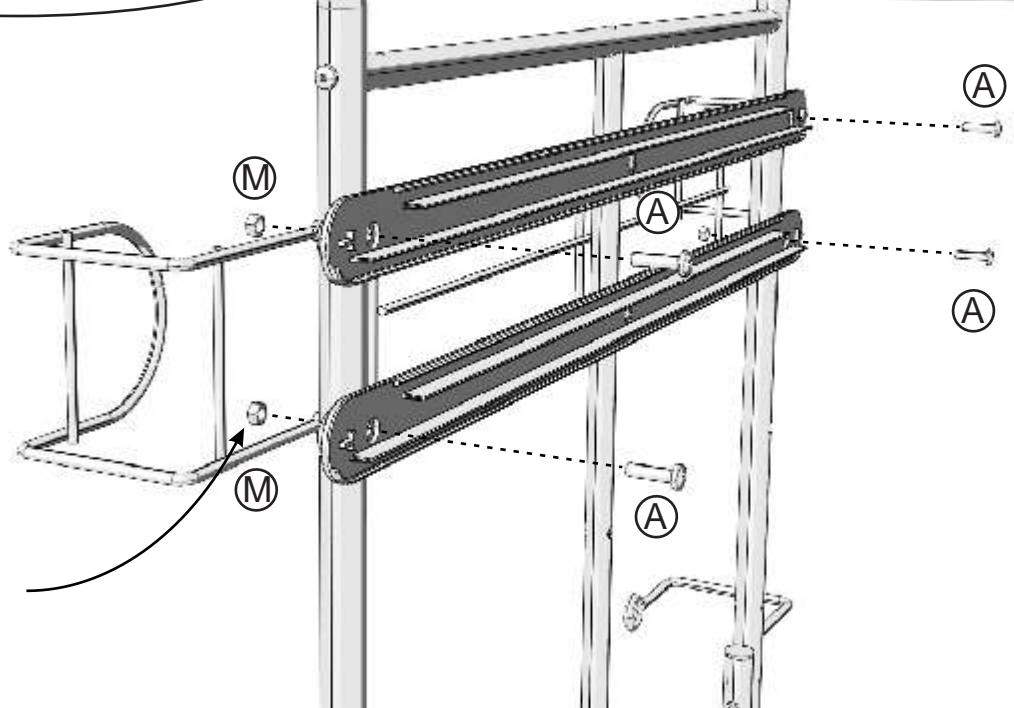


Top



Bottom

2



Make sure to use
Lock Nuts here,
not regular nuts

8

Actual Size:



C
6x



E
6x



F
6x

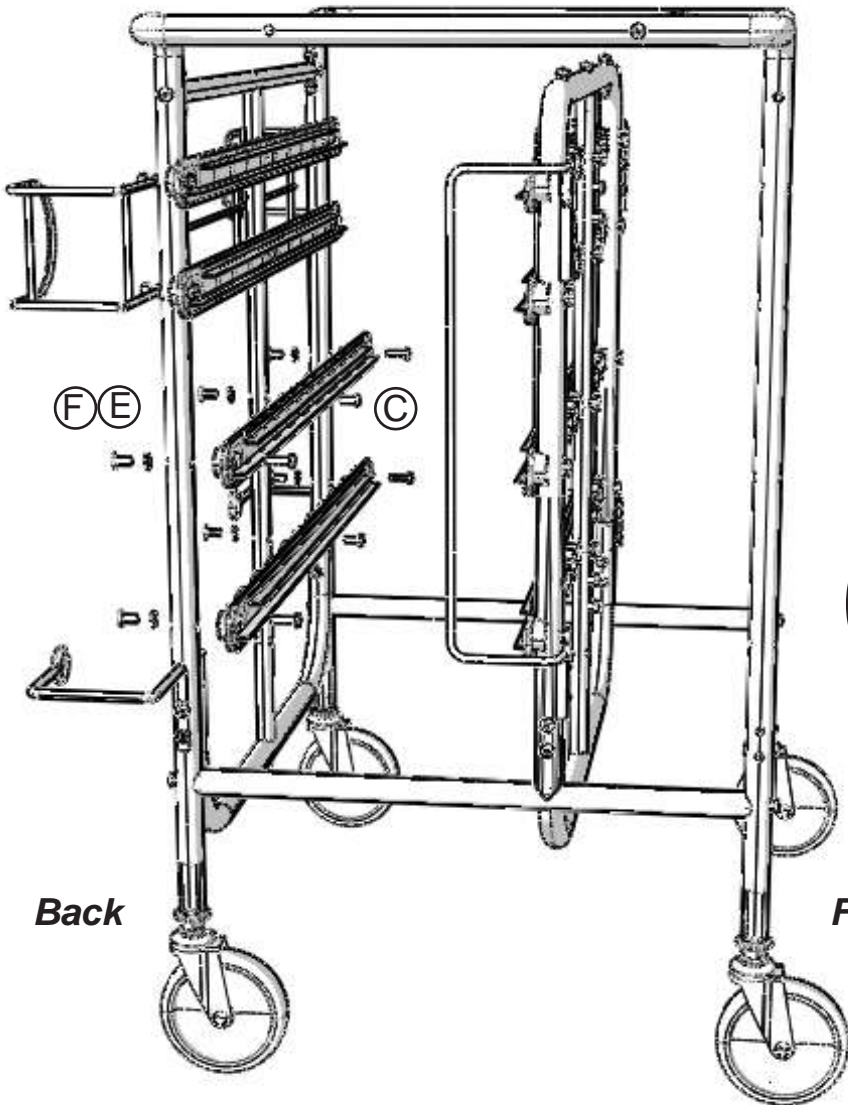
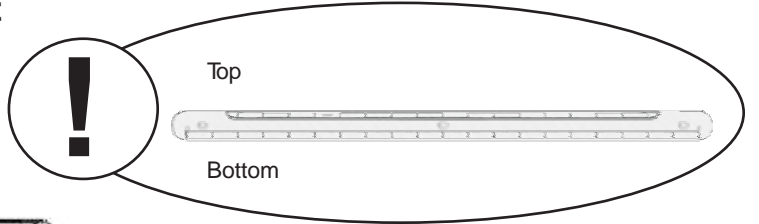


You will need: (Not to Scale)

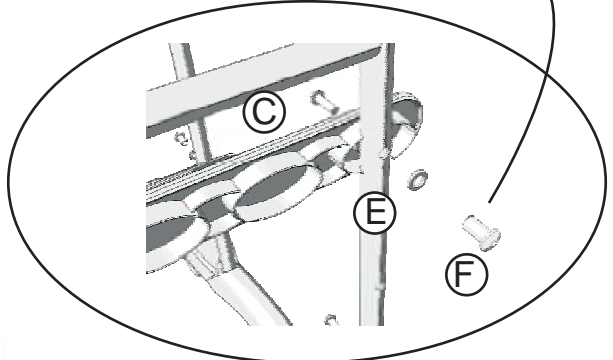
Channels
2x



Attach Tub Channels at center holes first



! Hardware Item F goes on the outside

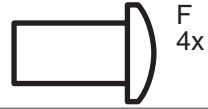


Back

Front

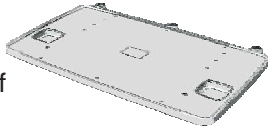
9

Actual Size:

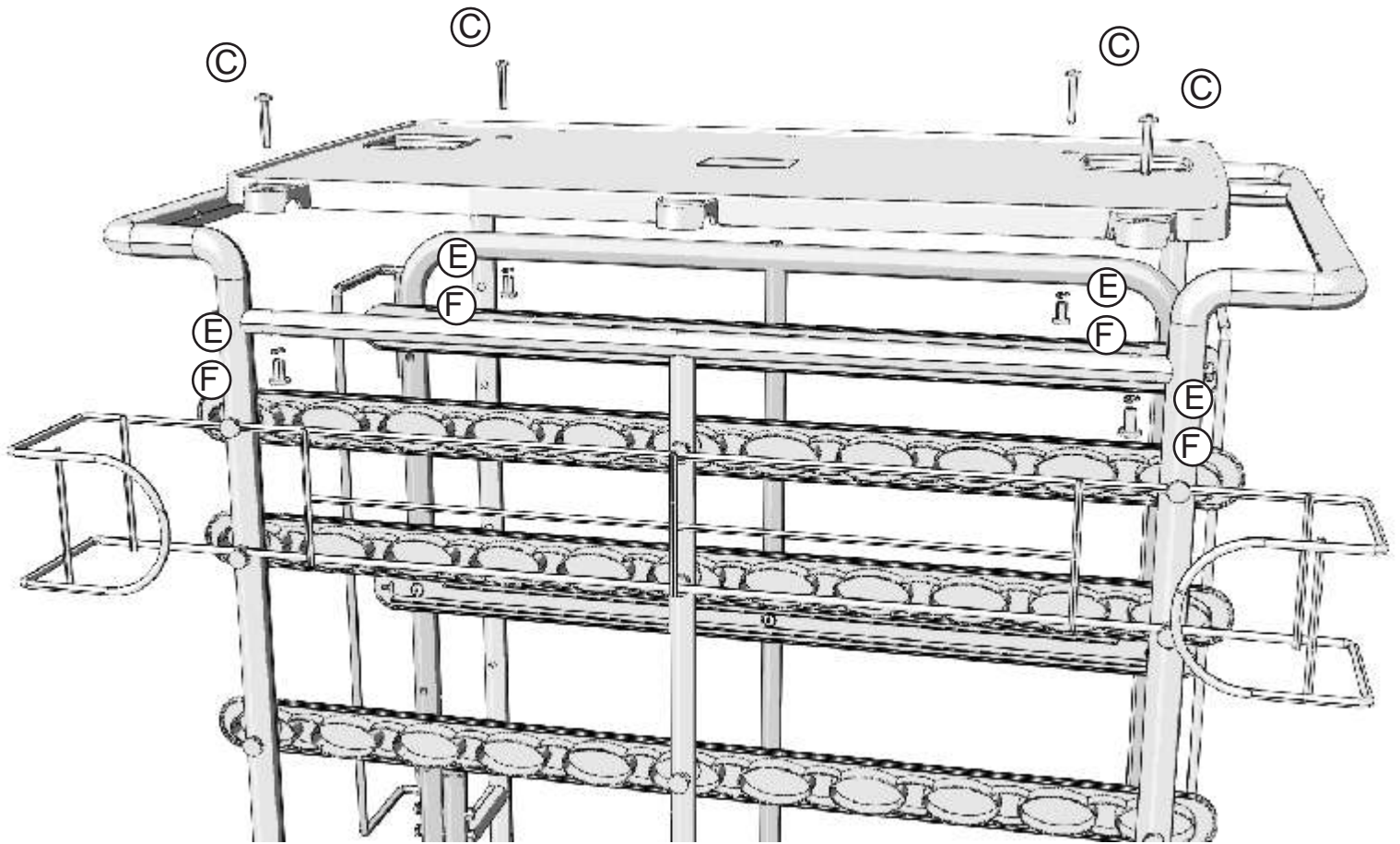


You will need: (Not to Scale)

Shelf
1x



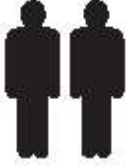
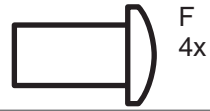
Attach Shelf



Back

10

Actual Size:

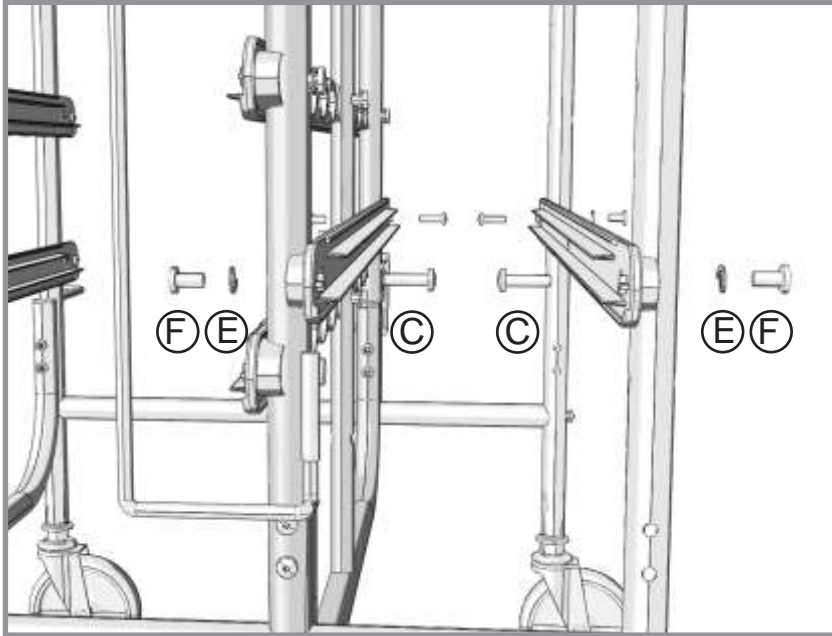


You will need: (Not to Scale)

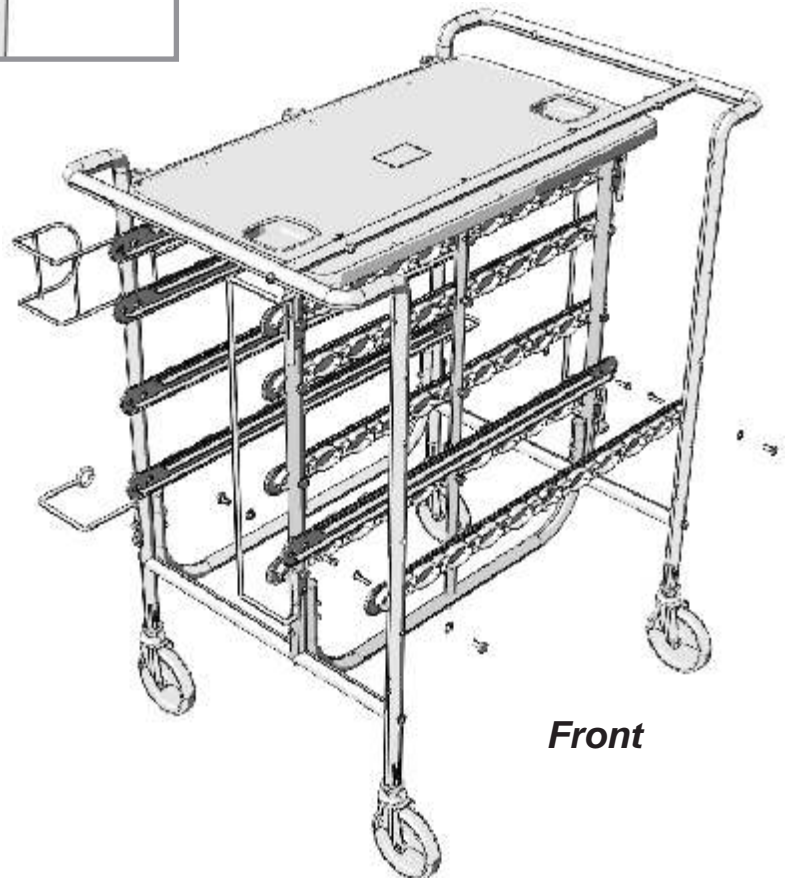
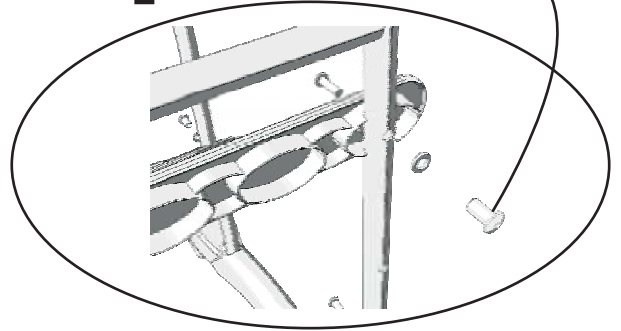
Channels
2x



Attach Tub Channels



! Hardware Item F goes on the outside



Front

11

Actual Size:



A x 2



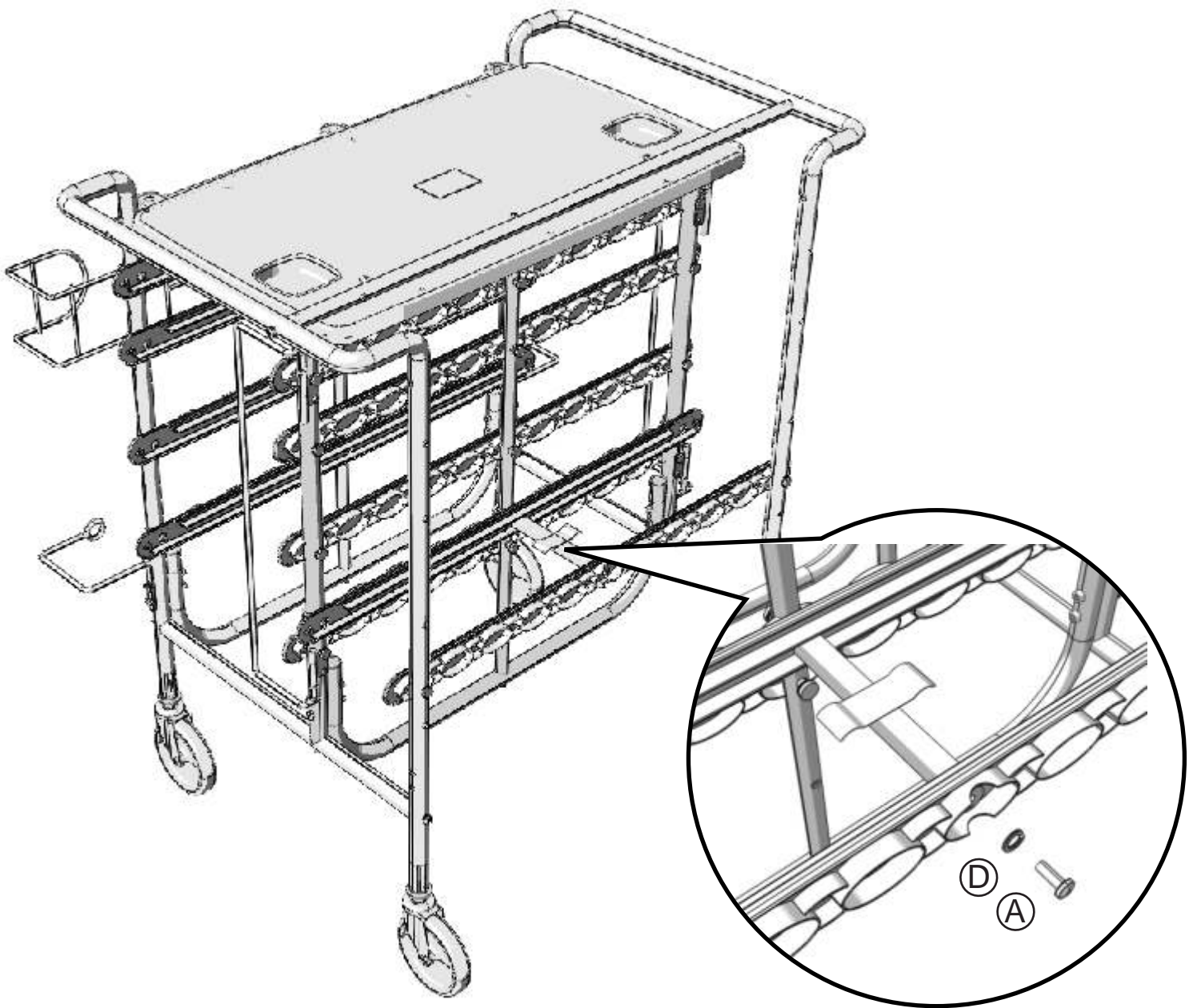
D x 2

You will need: (Not to Scale)



Lock Bar for Small Tubs
1x

Attach Small Tub Lock Bar



12

Actual Size:

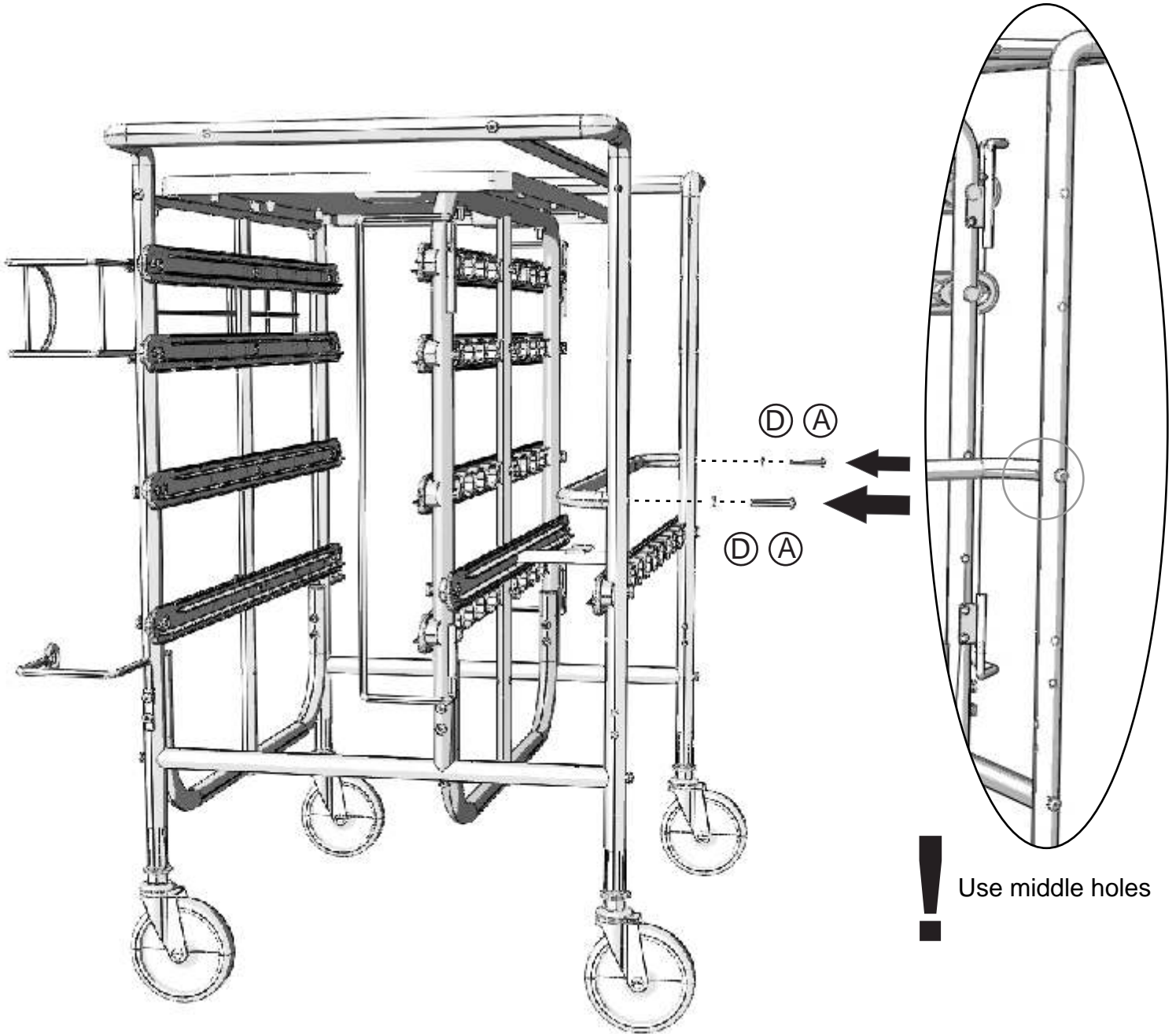


You will need: (Not to Scale)



Lower WhiteBoard Support
1x

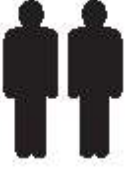
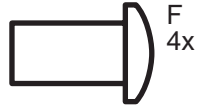
Attach Lower Whiteboard Support



★ Tighten all Fasteners

13

Actual Size:

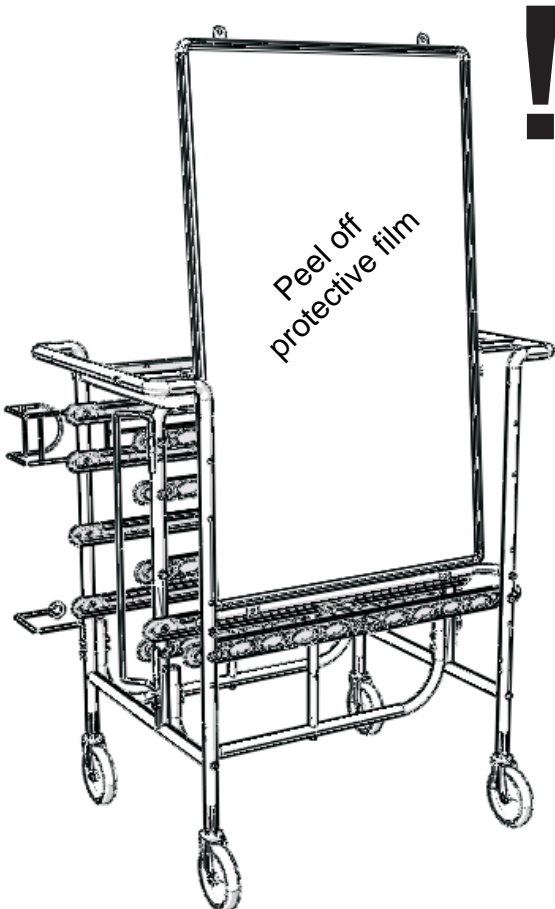
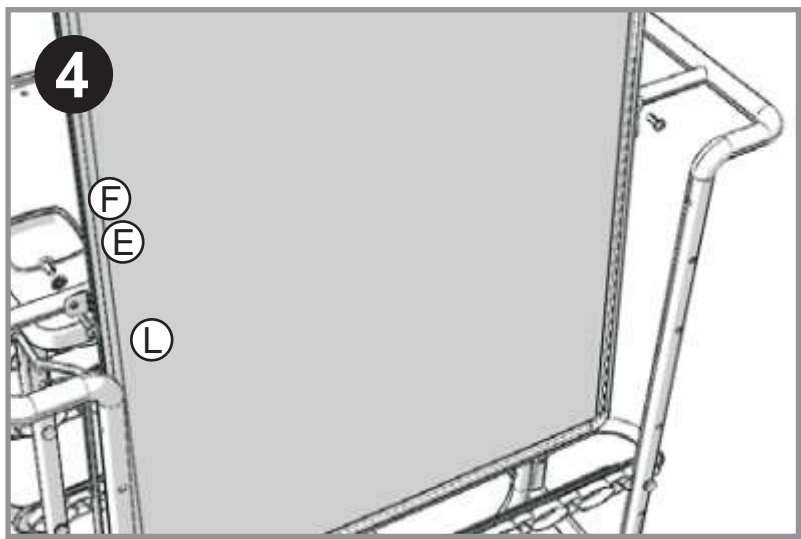
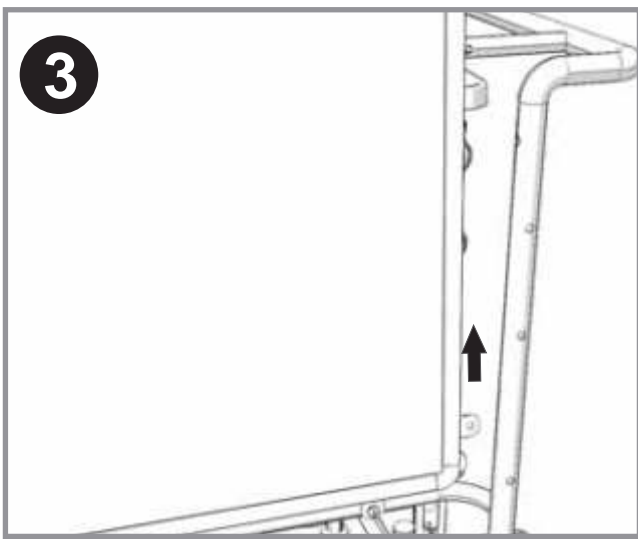
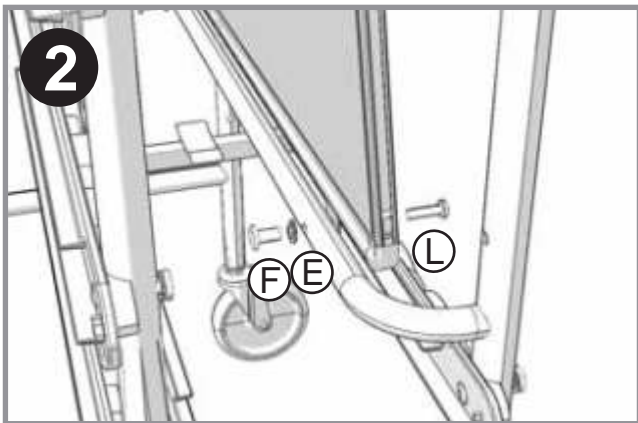
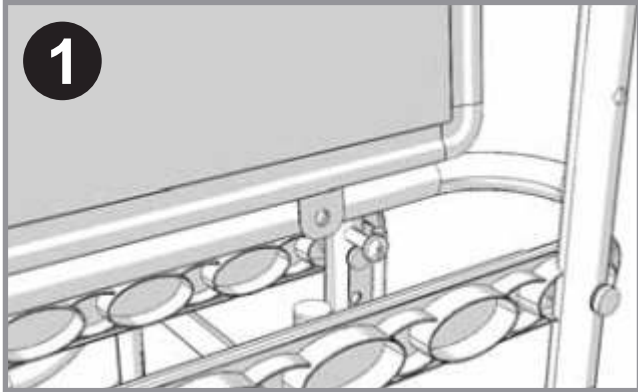


You will need: (Not to Scale)

Whiteboard
1x



Attach Whiteboard



You will need: (Not to Scale)

Bookledge
1x



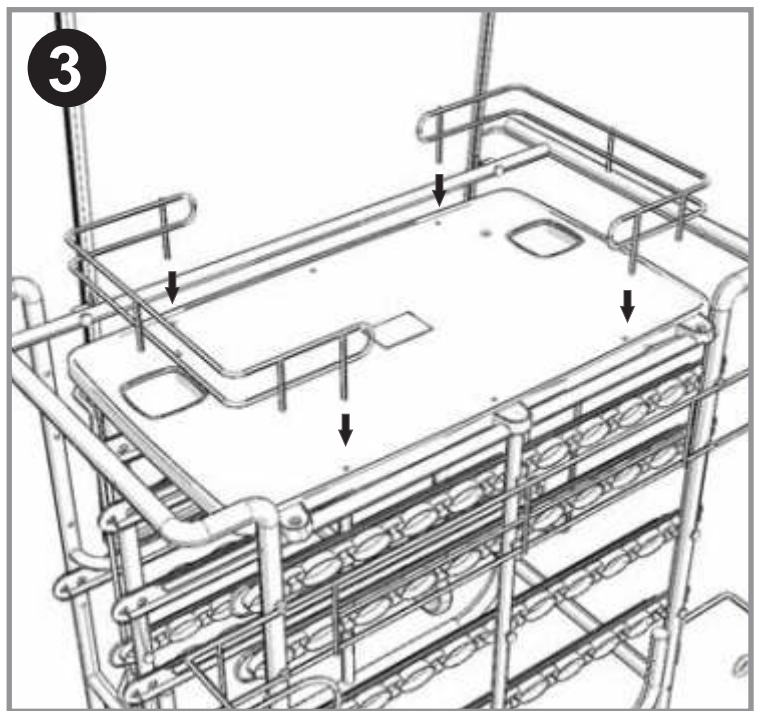
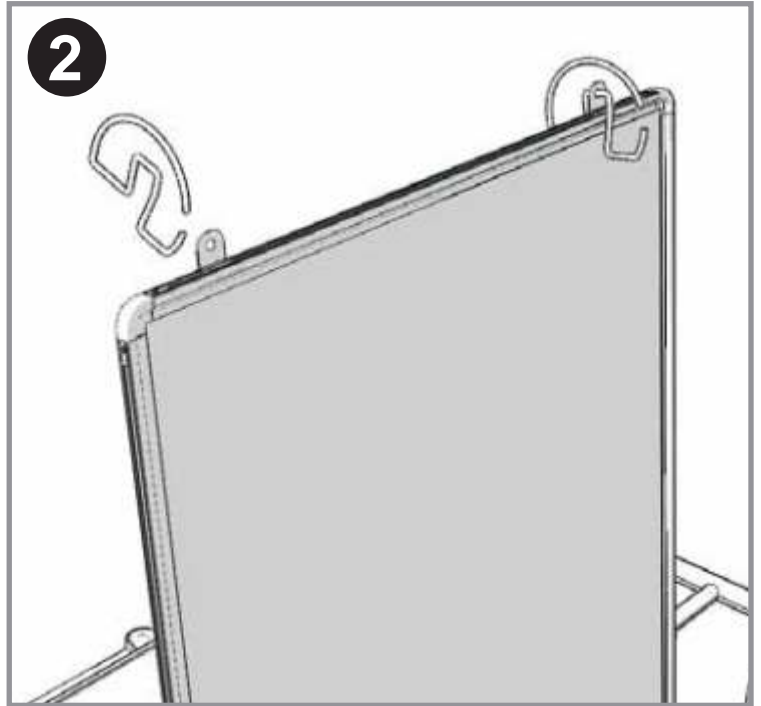
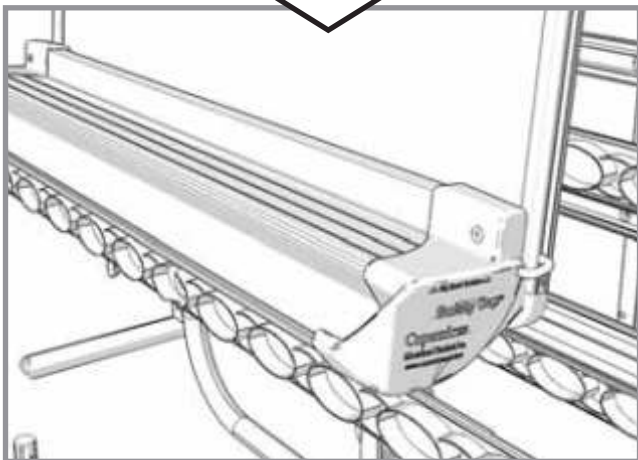
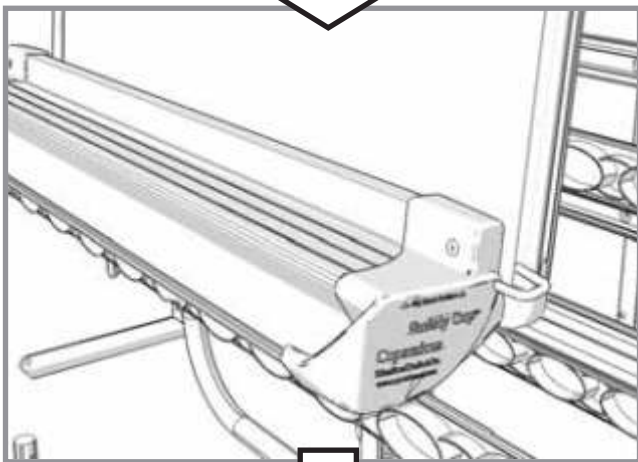
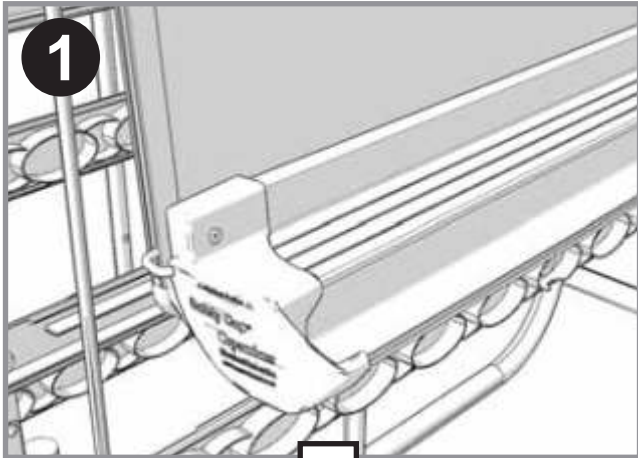
Chart Loop Hook
2x



Top shelf Rack
2x



Attach Bookledge and Chart hooks and Shelf Rack



You will need: (Not to Scale)

10 lbs Weight Limit

5 lbs Weight Limit

5 lbs Weight Limit



Open Tub
6x

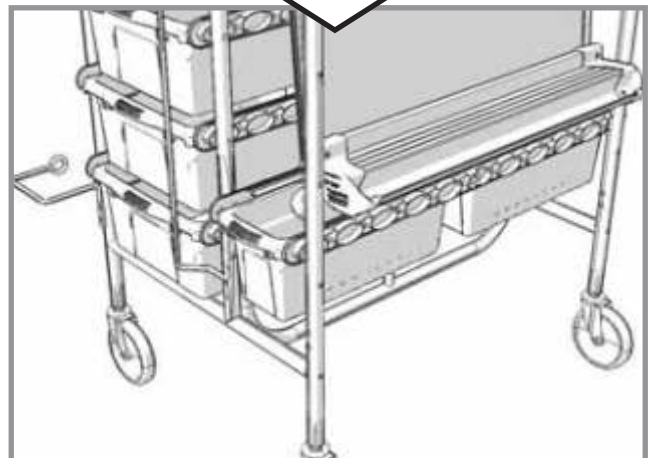
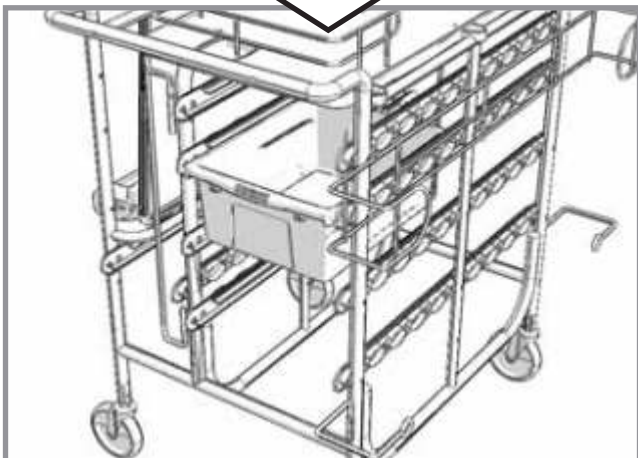
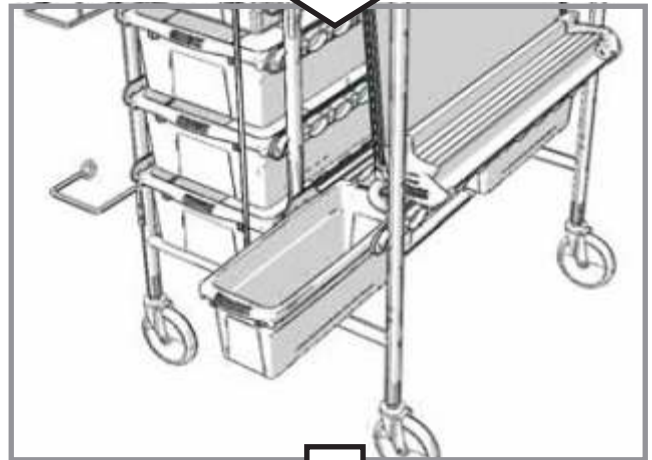
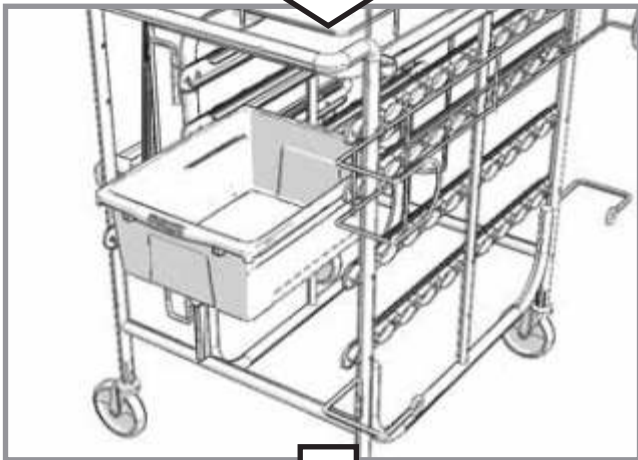
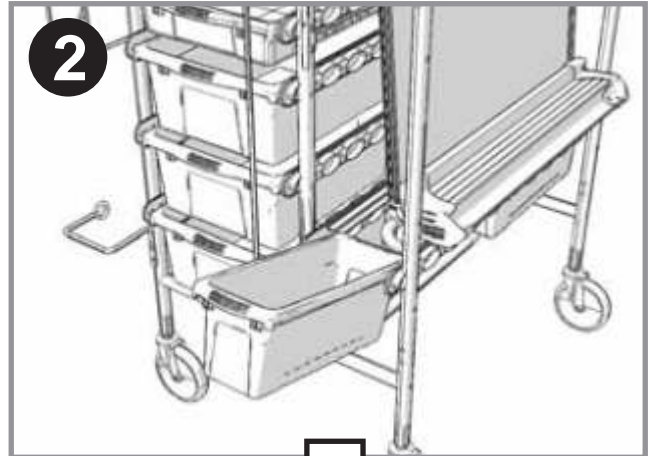
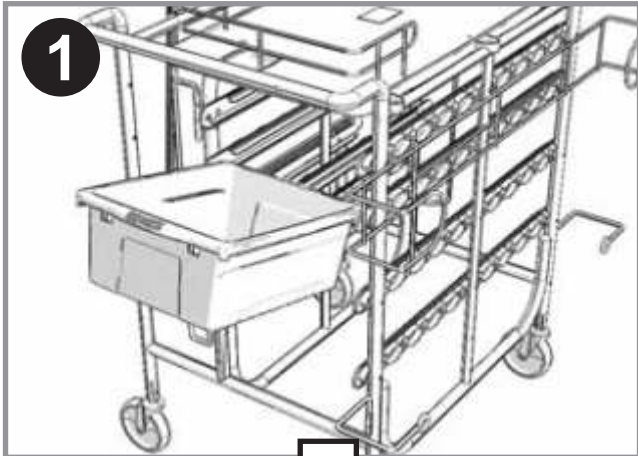


Stubby Tubby
2x



Small Tub
2x

Insert Tubs



Actual Size:

You will need: (Not to Scale)

XL Poster File
4x

