

LifeSpan Workplace

C3-DT3
Under Desk Bike



** Desk not included*

DISPLAY READOUTS Pedaling time, level, calories, distance, and speed

RESISTANCE LEVELS 16

SEATADJUSTMENT 19 levels

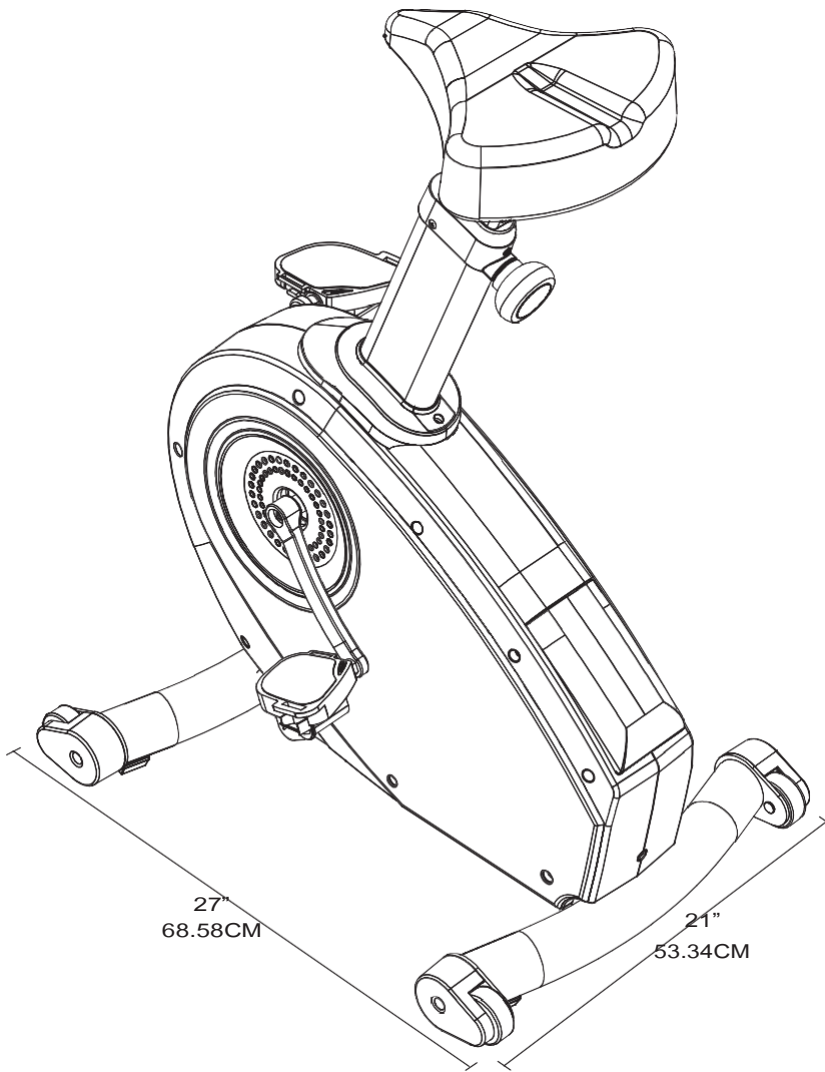
WARRANTY

FRAME Lifetime



PARTS 2 Years

LABOR 1 Year





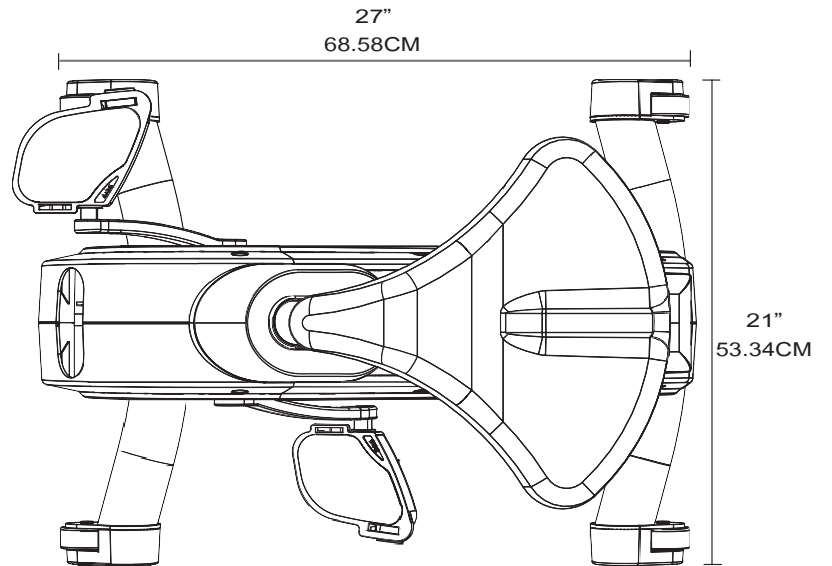
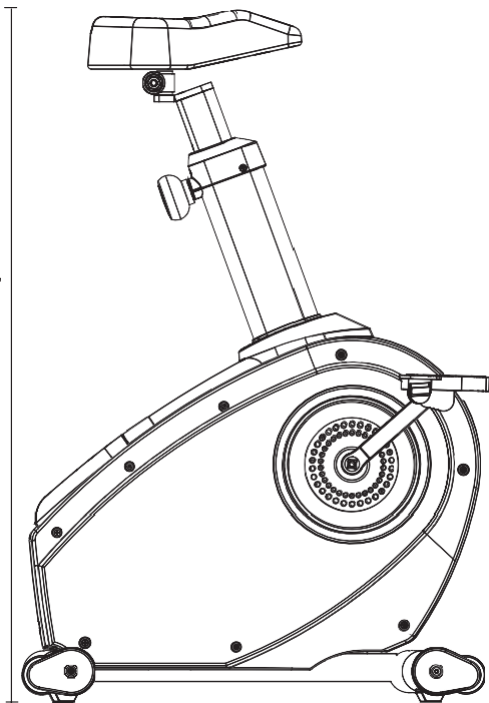
PRODUCT **C3-DT3**

COLORS	
COVERS	FRAME
	
PANTONE® 431 C	PANTONE® 877 C

DIMENSIONS	
BIKE	27" L x 21"W x 36.5" to 46.5" H 68.58CM x 53.34CM x 92.7CM to 118.1CM

WEIGHT	
BIKE	94 LBS/42.64 KG
CONSOLE	3 LBS/1.36 KG

36.5" to 46.5"
92.7CM to 118.1CM



*DESK NOT INCLUDED WITH THIS MODEL